

AIREASE®

Built for life. Yours.

Split System Air Conditioning

FORM NO. J4AC13L-100 (04/2012)

4AC13L

Features and Benefits

- R410a Refrigerant
- High-quality condenser coil with copper tubing and enhanced louvered fin for maximum heat transfer capacity
- Top discharge directs hot air away from living area and shrubbery
- All units factory run tested
- Available with louvered panel coil protection option
- Easy access to electrical panels
- Corner mounted service valves for easy hook-up and service
- Liquid line filter drier shipped loose
- Charged for 15 feet of interconnecting tubing
- All units ETL and AHRI listed



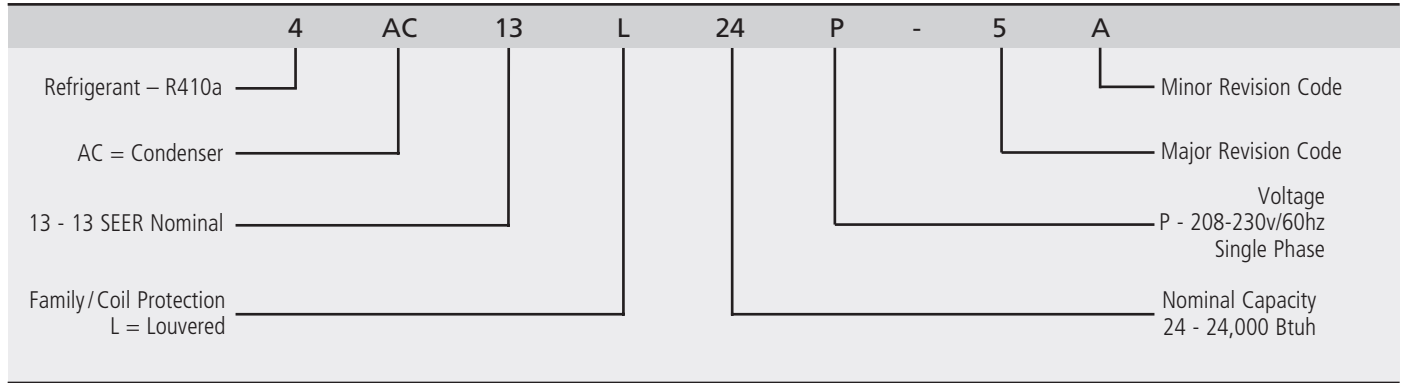
WARRANTY

- 10 year limited warranty on compressor,
10 year limited warranty on all parts,
extended warranty available*

*Warranty provides for a total of 10 years of limited warranty coverage (Standard 5-year limited parts warranty plus an additional 5-year limited extended parts warranty). Warranty must be registered online within 60 days of installation to qualify for 10-year coverage. Unregistered equipment defaults to 5-year coverage. Lifetime limited heat exchanger warranty applies to registered equipment only (Standard 20 years with no online registration). See full warranty at www.alliedair.com for terms, conditions and exclusions.

13 SEER Split System Air Conditioner

Model Number Guide



Electrical and Physical Data

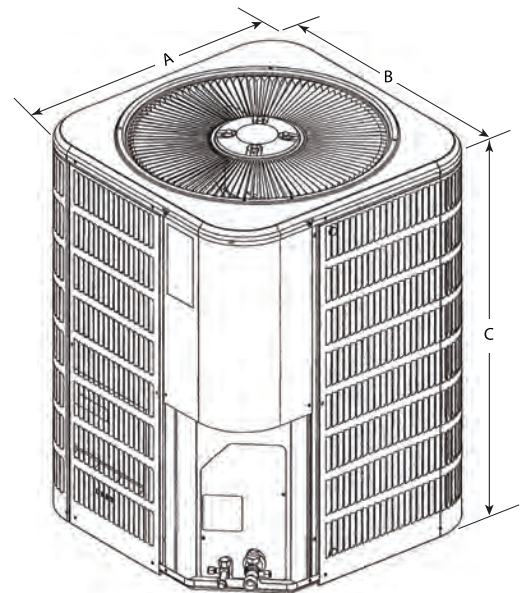
Model	Voltage/ Hz/ Phase	Voltage Range	Min. Circuit (Amps)	Max. Fuse (Amps)†	Compressor		Fan Motor			Refrig. Charge (oz.)† ‡	Weight (lbs.)	
					Rated Load (Amps)	Locked Rotor (Amps)	Full Load (Amps)	Rated HP	Nom. RPM		Wire Guard	Louvered
4AC13L18P-5	208-230/60/1	197 - 253	12.00	20	9.0	39	0.7	1/10	1010	61	130	138
4AC13L24P-5	208-230/60/1	197 - 253	17.50	30	13.4	53	0.7	1/10	1010	70	132	140
4AC13L30P-5	208-230/60/1	197 - 253	18.70	30	14.1	59	1.1	1/5	1090	68	142	154
4AC13L36P-7	208-230/60/1	197 - 253	20.10	35	15.2	70	1.1	1/5	1090	89	141	149
4AC13L42P-5	208-230/60/1	197 - 253	25.30	40	18.8	90	1.7	1/4	825	102	187	199
4AC13L48P-7	208-230/60/1	197 - 253	31.90	50	24.1	100	1.7	1/4	825	120	181	192
4AC13L60P-7	208-230/60/1	197 - 253	29.40	50	22.1	125	1.7	1/4	830	160	194	205

† Overcurrent protection device

† ‡ Factory charge adequate for 15 feet of line set. Adjust per Installation Instructions.

Unit Dimensions & Sound Ratings

Model	Dimensions			Sound Ratings (dBa)
	A - width (in.)	B - depth (in.)	C - height (in.)	
4AC13L18P-5	24.25	24.25	25	76
4AC13L24P-5	24.25	24.25	25	76
4AC13L30P-5	24.25	24.25	29	76
4AC13L36P-7	24.25	24.25	29	74
4AC13L42P-5	28.25	28.25	29	79
4AC13L48P-7	28.25	28.25	33	79
4AC13L60P-7	28.25	28.25	29	80



Note: Dimensions listed are unit sizes w/o packaging

Cooling Performance with Evaporator Coils

Outdoor Model	Indoor Model	SEER	EER	Rated AHRI Capacity ¹	Rated Sensible Capacity	CFM	Refrigerant Connection				Refrigerant Line Size		Indoor Metering Device	
	Piston or Field Installed TXV						Outdoor		Indoor		Suction	Liquid	Req'd Indoor ² Capacity	Optional Indoor
							Suction	Liquid	Suction	Liquid				
4AC13L18P-5	E*1P19-1+TDR	13.00	11.00	17,600	13376	650	3/4	3/8	3/4	3/8	3/4	3/8	0.051	A4TXV01
	E*1P23-1+TDR	13.00	11.00	18,000	13680	650	3/4	3/8	3/4	3/8	3/4	3/8	0.051	A4TXV01
	E*1P29-1+TDR	13.00	11.00	18,000	13680	650	3/4	3/8	3/4	3/8	3/4	3/8	0.051	A4TXV01
4AC13L24P-5	E*1P23-1+TDR	13.00	11.00	23,000	17480	800	3/4	3/8	3/4	3/8	3/4	3/8	0.057	A4TXV01
	E*1P24-1+TDR	13.00	11.00	22,800	17480	800	3/4	3/8	3/4	3/8	3/4	3/8	0.057	A4TXV01
	E*1P29-1+TDR	13.00	11.00	23,000	17480	800	3/4	3/8	3/4	3/8	3/4	3/8	0.057	A4TXV01
	E*1P30-1+TDR	13.00	11.00	23,000	17480	800	3/4	3/8	3/4	3/8	3/4	3/8	0.057	A4TXV01
	E*1P36-1+TDR	13.00	11.00	23,000	17480	800	3/4	3/8	3/4	3/8	3/4	3/8	0.057	A4TXV01
4AC13L30P-5	E*1P23-1+TDR	13.00	11.00	28,000	21000	1000	3/4	3/8	3/4	3/8	3/4	3/8	0.065	A4TXV01
	E*1P29-1+TDR	13.00	11.00	28,400	21750	1000	3/4	3/8	3/4	3/8	3/4	3/8	0.065	A4TXV01
	E*1P30-1+TDR	13.00	11.00	28,000	21000	1000	3/4	3/8	3/4	3/8	3/4	3/8	0.065	A4TXV01
	E*1P36-1+TDR	13.00	10.50	29,000	21750	1000	3/4	3/8	3/4	3/8	3/4	3/8	0.065	A4TXV01
	E*1P43-1+TDR	13.00	11.00	29,000	21750	1000	3/4	3/8	3/4	3/8	3/4	3/8	0.065	A4TXV01
4AC13L36P-7	E*1P36B,C +TDR	13.00	11.00	34,000	25000	1200	3/4	3/8	7/8	3/8	3/4	3/8	0.072	A4TXV01
	E*1P43B,C +TDR	13.00	11.00	34,000	25000	1200	3/4	3/8	7/8	3/8	3/4	3/8	0.072	A4TXV01
	E*1P50C +TDR	13.00	11.00	34,000	25000	1200	3/4	3/8	7/8	3/8	3/4	3/8	0.072	A4TXV01
4AC13L42P-5	E*1P43B,C+TDR	13.00	11.00	40,000	29200	1400	7/8	3/8	7/8	3/8	7/8	3/8	0.076	A4TXV02
	E*1P49C+TDR	13.00	11.00	40,000	29930	1400	7/8	3/8	7/8	3/8	7/8	3/8	0.076	A4TXV02
	E*1P50C+TDR	13.00	11.00	40,000	29200	1400	7/8	3/8	7/8	3/8	7/8	3/8	0.076	A4TXV02
4AC13L48P-7	E*1P48C+TDR	13.00	11.00	47,000	34300	1600	7/8	3/8	7/8	3/8	7/8	3/8	0.082	A4TXV02
	E*1P49C+TDR	13.00	11.00	47,000	34300	1600	7/8	3/8	7/8	3/8	7/8	3/8	0.082	A4TXV02
	E*1P50C+TDR	13.00	11.00	47,000	34300	1600	7/8	3/8	7/8	3/8	7/8	3/8	0.082	A4TXV02
	E*1P60D+TDR	13.00	11.00	47,000	34300	1600	7/8	3/8	7/8	3/8	7/8	3/8	0.082	A4TXV02
	E*1P62C+TDR	13.00	11.00	47,000	34300	1600	7/8	3/8	7/8	3/8	7/8	3/8	0.082	A4TXV02
	E*1P62D+TDR	13.00	11.00	47,000	34300	1600	7/8	3/8	7/8	3/8	7/8	3/8	0.082	A4TXV02
4AC13L60P-7	E*1P49C +TDR	13.00	11.00	57,000	41000	1800	7/8	3/8	7/8	3/8	7/8	3/8	0.09	A4TXV02
	E*1P60D+TDR	13.00	11.00	57,000	41000	1800	7/8	3/8	7/8	3/8	7/8	3/8	0.09	A4TXV02
	E*1P62C+TDR	13.00	11.00	57,000	41000	1800	7/8	3/8	7/8	3/8	7/8	3/8	0.09	A4TXV02
	E*1P62D+TDR	13.00	11.00	57,000	41000	1800	7/8	3/8	7/8	3/8	7/8	3/8	0.09	A4TXV02

¹Certified in accordance with Unitary Air Conditioner Certification Program, which is based on AHRI Standard 210/240.

²Required to achieve AHRI rating.

13 SEER Split System Air Conditioner

Cooling Performance with Air Handlers and Furnaces 18

Outdoor Model	Indoor Model	Variable Speed Furnace	SEER	EER	Rated ARI Capacity ¹ BTUH	Rated Sensible Capacity BTUH	CFM	Refrigerant Connection				Refrigerant Line Size		Indoor Expansion Device	
	Evaporator Coil or Air Handler ³							Outdoor		Indoor		Suction	Liquid	Piston ²	TXV
								Suction	Liquid	Suction	Liquid				
4AC13L 18P-5	BCS2M18C****P		13.0	11.0	17,600	13,380	650	3/4	3/8	3/4	3/8	3/4	3/8	0.051	A4TXV01
	BCS2M24C****P		13.0	11.0	17,600	13,380	650	3/4	3/8	3/4	3/8	3/4	3/8	0.051	A4TXV01
	BCS2M24V****P		14.0	12.0	17,600	13,380	650	3/4	3/8	3/4	3/8	3/4	3/8	0.051	A4TXV01
	E(C,H,M,U)1P23A	A80DF1E045A12	14.0	12.0	18,000	13,680	650	3/4	3/8	3/4	3/8	3/4	3/8	0.051	A4TXV01
	E(C,H,M,U)1P29A	A80DF1E045A12	14.0	12.0	18,000	13,680	650	3/4	3/8	3/4	3/8	3/4	3/8	0.051	A4TXV01
	E(C,M,U)1P19A	A80DF1E045A12	14.0	11.5	18,000	13,680	650	3/4	3/8	3/4	3/8	3/4	3/8	0.051	A4TXV01
	E(C,M,U)1P24A	A80DF1E045A12	14.0	12.0	18,000	13,680	650	3/4	3/8	3/4	3/8	3/4	3/8	0.051	A4TXV01
	E(C,H,M,U)1P23B	A80DF1E070B12	14.0	12.0	18,000	13,680	650	3/4	3/8	3/4	3/8	3/4	3/8	0.051	A4TXV01
	E(C,H,M,U)1P29B	A80DF1E070B12	14.0	12.0	18,000	13,680	650	3/4	3/8	3/4	3/8	3/4	3/8	0.051	A4TXV01
	E(C,M,U)1P19B	A80DF1E070B12	14.0	11.5	18,000	13,680	650	3/4	3/8	3/4	3/8	3/4	3/8	0.051	A4TXV01
	E(C,M,U)1P24B	A80DF1E070B12	14.0	11.5	18,000	13,680	650	3/4	3/8	3/4	3/8	3/4	3/8	0.051	A4TXV01
	E(C,H,M,U)1P23A	A80UH1E045A12*	14.0	12.0	18,000	13,680	650	3/4	3/8	3/4	3/8	3/4	3/8	0.051	A4TXV01
	E(C,H,M,U)1P29A	A80UH1E045A12*	14.0	12.0	18,000	13,680	650	3/4	3/8	3/4	3/8	3/4	3/8	0.051	A4TXV01
	E(C,M,U)1P19A	A80UH1E045A12*	14.0	11.5	18,000	13,680	650	3/4	3/8	3/4	3/8	3/4	3/8	0.051	A4TXV01
	E(C,M,U)1P24A	A80UH1E045A12*	14.0	11.5	18,000	13,680	650	3/4	3/8	3/4	3/8	3/4	3/8	0.051	A4TXV01
	E(C,H,M,U)1P23B	A80UH1E070B12*	14.0	12.0	18,000	13,680	650	3/4	3/8	3/4	3/8	3/4	3/8	0.051	A4TXV01
	E(C,H,M,U)1P29B	A80UH1E070B12*	14.0	12.0	18,000	13,680	650	3/4	3/8	3/4	3/8	3/4	3/8	0.051	A4TXV01
	E(C,M,U)1P19B	A80UH1E070B12*	14.0	11.5	18,000	13,680	650	3/4	3/8	3/4	3/8	3/4	3/8	0.051	A4TXV01
	E(C,M,U)1P24B	A80UH1E070B12*	14.0	11.5	18,000	13,680	650	3/4	3/8	3/4	3/8	3/4	3/8	0.051	A4TXV01
	E(C,H,M,U)1P23A	A80UH2V070A12	14.0	12.0	17,600	13,380	650	3/4	3/8	3/4	3/8	3/4	3/8	0.051	A4TXV01
	E(C,H,M,U)1P29A	A80UH2V070A12	14.0	12.0	17,600	13,380	650	3/4	3/8	3/4	3/8	3/4	3/8	0.051	A4TXV01
	E(C,M,U)1P19A	A80UH2V070A12	13.5	11.5	17,600	13,380	650	3/4	3/8	3/4	3/8	3/4	3/8	0.051	A4TXV01
	E(C,M,U)1P24A	A80UH2V070A12	13.5	11.5	17,600	13,380	650	3/4	3/8	3/4	3/8	3/4	3/8	0.051	A4TXV01
	E(C,H,M,U)1P23B	A95DF1E045B12S	14.0	12.0	18,000	13,680	650	3/4	3/8	3/4	3/8	3/4	3/8	0.051	A4TXV01
	E(C,H,M,U)1P29B	A95DF1E045B12S	14.0	12.0	18,000	13,680	650	3/4	3/8	3/4	3/8	3/4	3/8	0.051	A4TXV01
	E(C,M,U)1P19B	A95DF1E045B12S	14.0	11.5	18,000	13,680	650	3/4	3/8	3/4	3/8	3/4	3/8	0.051	A4TXV01
	E(C,M,U)1P24B	A95DF1E045B12S	14.0	11.5	18,000	13,680	650	3/4	3/8	3/4	3/8	3/4	3/8	0.051	A4TXV01
	E(C,H,M,U)1P23B	A95DF2V045B12S	14.0	12.0	18,000	13,680	650	3/4	3/8	3/4	3/8	3/4	3/8	0.051	A4TXV01
	E(C,H,M,U)1P29B	A95DF2V045B12S	14.0	12.0	18,000	13,680	650	3/4	3/8	3/4	3/8	3/4	3/8	0.051	A4TXV01
	E(C,M,U)1P19B	A95DF2V045B12S	14.0	11.5	18,000	13,680	650	3/4	3/8	3/4	3/8	3/4	3/8	0.051	A4TXV01

Note:

¹ Certified in accordance with Unitary Air Conditioner Certification Program, which is based on AHRI Standard 210/240

² Required to achieve AHRI rating. If NA (Not Applicable) is in the piston column, then TXV is required.

³ A blower time delay relay is required to achieve AHRI rating. This feature is standard on all Allied Air Enterprises furnace and AH products.

Cooling Performance with Air Handlers and Furnaces 18, 24

Outdoor Model	Indoor Model	Variable Speed Furnace	SEER	EER	Rated ARI Capacity ¹ BTUH	Rated Sensible Capacity BTUH	CFM	Refrigerant Connection				Refrigerant Line Size		Indoor Expansion Device	
	Evaporator Coil or Air Handler ³							Outdoor		Indoor		Suction	Liquid	Piston ²	TXV
								Suction	Liquid	Suction	Liquid				
4AC13L 18P-5	E(C,M,U)1P24B	A95DF2V045B12S	14.0	12.0	18,000	13,680	650	3/4	3/8	3/4	3/8	3/4	3/8	0.051	A4TXV01
	E(C,H,M,U)1P23B	A95DF2V070B16S	14.0	12.0	18,000	13,680	650	3/4	3/8	3/4	3/8	3/4	3/8	0.051	A4TXV01
	E(C,H,M,U)1P29B	A95DF2V070B16S	14.0	12.0	18,000	13,680	650	3/4	3/8	3/4	3/8	3/4	3/8	0.051	A4TXV01
	E(C,M,U)1P19B	A95DF2V070B16S	14.0	11.5	18,000	13,680	650	3/4	3/8	3/4	3/8	3/4	3/8	0.051	A4TXV01
	E(C,M,U)1P24B	A95DF2V070B16S	14.0	12.0	18,000	13,680	650	3/4	3/8	3/4	3/8	3/4	3/8	0.051	A4TXV01
	E(C,H,M,U)1P23B	A95UH1E045B12S	14.0	12.0	18,000	13,680	650	3/4	3/8	3/4	3/8	3/4	3/8	0.051	A4TXV01
	E(C,H,M,U)1P29B	A95UH1E045B12S	14.0	12.0	18,000	13,680	650	3/4	3/8	3/4	3/8	3/4	3/8	0.051	A4TXV01
	E(C,M,U)1P19B	A95UH1E045B12S	14.0	11.5	18,000	13,680	650	3/4	3/8	3/4	3/8	3/4	3/8	0.051	A4TXV01
	E(C,M,U)1P24B	A95UH1E045B12S	14.0	11.5	18,000	13,680	650	3/4	3/8	3/4	3/8	3/4	3/8	0.051	A4TXV01
	E(C,H,M,U)1P23B	A95UH1E070B12S	14.0	11.5	18,000	13,680	650	3/4	3/8	3/4	3/8	3/4	3/8	0.051	A4TXV01
	E(C,H,M,U)1P29B	A95UH1E070B12S	14.0	12.0	18,000	13,680	650	3/4	3/8	3/4	3/8	3/4	3/8	0.051	A4TXV01
	E(C,M,U)1P19B	A95UH1E070B12S	14.0	11.5	18,000	13,680	650	3/4	3/8	3/4	3/8	3/4	3/8	0.051	A4TXV01
	E(C,M,U)1P24B	A95UH1E070B12S	14.0	11.5	18,000	13,680	650	3/4	3/8	3/4	3/8	3/4	3/8	0.051	A4TXV01
	E(C,H,M,U)1P23B	A95UH2V045B12S	14.0	12.0	18,000	13,680	650	3/4	3/8	3/4	3/8	3/4	3/8	0.051	A4TXV01
	E(C,H,M,U)1P29B	A95UH2V045B12S	14.0	12.0	18,000	13,680	650	3/4	3/8	3/4	3/8	3/4	3/8	0.051	A4TXV01
	E(C,M,U)1P19B	A95UH2V045B12S	14.0	11.5	18,000	13,680	650	3/4	3/8	3/4	3/8	3/4	3/8	0.051	A4TXV01
	E(C,M,U)1P24B	A95UH2V045B12S	14.0	12.0	18,000	13,680	650	3/4	3/8	3/4	3/8	3/4	3/8	0.051	A4TXV01
	E(C,H,M,U)1P23B	A95UH2V070B12S	14.0	12.0	18,000	13,680	650	3/4	3/8	3/4	3/8	3/4	3/8	0.051	A4TXV01
	E(C,H,M,U)1P29B	A95UH2V070B12S	14.0	12.0	18,000	13,680	650	3/4	3/8	3/4	3/8	3/4	3/8	0.051	A4TXV01
	E(C,M,U)1P19B	A95UH2V070B12S	14.0	11.5	18,000	13,680	650	3/4	3/8	3/4	3/8	3/4	3/8	0.051	A4TXV01
E(C,M,U)1P24B	A95UH2V070B12S	14.0	12.0	18,000	13,680	650	3/4	3/8	3/4	3/8	3/4	3/8	0.051	A4TXV01	
4AC13L 24P-5	BCS2M24C****P		13.0	11.0	22,800	17,330	800	3/4	3/8	3/4	3/8	3/4	3/8	0.057	A4TXV01
	BCS2M24V****P		14.0	12.0	22,800	17,330	800	3/4	3/8	3/4	3/8	3/4	3/8	0.057	A4TXV01
	E(C,H,M,U)1P23A	A80DF1E045A12	14.0	12.0	23,000	17,480	800	3/4	3/8	3/4	3/8	3/4	3/8	0.057	A4TXV01
	E(C,H,M,U)1P29A	A80DF1E045A12	14.0	12.0	23,000	17,480	800	3/4	3/8	3/4	3/8	3/4	3/8	0.057	A4TXV01
	E(C,H,M,U)1P36A	A80DF1E045A12	14.0	12.0	23,000	17,480	800	3/4	3/8	3/4	3/8	3/4	3/8	0.057	A4TXV01
	E(C,M,U)1P19A	A80DF1E045A12	13.5	11.5	23,000	17,480	800	3/4	3/8	3/4	3/8	3/4	3/8	0.057	A4TXV01
	E(C,M,U)1P24A	A80DF1E045A12	14.0	12.0	23,000	17,480	800	3/4	3/8	3/4	3/8	3/4	3/8	0.057	A4TXV01
	E(C,M,U)1P30A	A80DF1E045A12	14.0	12.0	23,000	17,480	800	3/4	3/8	3/4	3/8	3/4	3/8	0.057	A4TXV01
	E(C,H,M,U)1P23B	A80DF1E070B12	13.5	11.5	23,000	17,480	800	3/4	3/8	3/4	3/8	3/4	3/8	0.057	A4TXV01

Note:

¹ Certified in accordance with Unitary Air Conditioner Certification Program, which is based on AHRI Standard 210/240

² Required to achieve AHRI rating. If NA (Not Applicable) is in the piston column, then TXV is required.

³ A blower time delay relay is required to achieve AHRI rating. This feature is standard on all Allied Air Enterprises furnace and AH products.

13 SEER Split System Air Conditioner

Cooling Performance with Air Handlers and Furnaces 24

Outdoor Model	Indoor Model	Variable Speed Furnace	SEER	EER	Rated ARI Capacity ¹ BTUH	Rated Sensible Capacity BTUH	CFM	Refrigerant Connection				Refrigerant Line Size		Indoor Expansion Device	
	Evaporator Coil or Air Handler ³							Outdoor		Indoor		Suction	Liquid	Piston ²	TXV
								Suction	Liquid	Suction	Liquid				
4AC13L 24P-5	E(C,H,M,U)1P29B	A80DF1E070B12	14.0	12.0	23,000	17,480	800	3/4	3/8	3/4	3/8	3/4	3/8	0.057	A4TXV01
	E(C,H,M,U)1P36B	A80DF1E070B12	14.0	12.0	23,000	17,480	800	3/4	3/8	3/4	3/8	3/4	3/8	0.057	A4TXV01
	E(C,M,U)1P19B	A80DF1E070B12	13.5	11.5	23,000	17,480	800	3/4	3/8	3/4	3/8	3/4	3/8	0.057	A4TXV01
	E(C,M,U)1P24B	A80DF1E070B12	13.5	11.5	23,000	17,480	800	3/4	3/8	3/4	3/8	3/4	3/8	0.057	A4TXV01
	E(C,M,U)1P30B	A80DF1E070B12	14.0	12.0	23,000	17,480	800	3/4	3/8	3/4	3/8	3/4	3/8	0.057	A4TXV01
	E(C,H,M,U)1P23A	A80UH1E045A12*	14.0	12.0	23,000	17,480	800	3/4	3/8	3/4	3/8	3/4	3/8	0.057	A4TXV01
	E(C,H,M,U)1P29A	A80UH1E045A12*	14.0	12.0	23,000	17,480	800	3/4	3/8	3/4	3/8	3/4	3/8	0.057	A4TXV01
	E(C,H,M,U)1P36A	A80UH1E045A12*	14.0	12.0	23,000	17,480	800	3/4	3/8	3/4	3/8	3/4	3/8	0.057	A4TXV01
	E(C,M,U)1P19A	A80UH1E045A12*	13.5	11.5	23,000	17,480	800	3/4	3/8	3/4	3/8	3/4	3/8	0.057	A4TXV01
	E(C,M,U)1P24A	A80UH1E045A12*	14.0	12.0	23,000	17,480	800	3/4	3/8	3/4	3/8	3/4	3/8	0.057	A4TXV01
	E(C,M,U)1P30A	A80UH1E045A12*	14.0	12.0	23,000	17,480	800	3/4	3/8	3/4	3/8	3/4	3/8	0.057	A4TXV01
	E(C,H,M,U)1P23B	A80UH1E070B12*	13.5	11.5	23,000	17,480	800	3/4	3/8	3/4	3/8	3/4	3/8	0.057	A4TXV01
	E(C,H,M,U)1P29B	A80UH1E070B12*	14.0	12.0	23,000	17,480	800	3/4	3/8	3/4	3/8	3/4	3/8	0.057	A4TXV01
	E(C,H,M,U)1P36B	A80UH1E070B12*	14.0	12.0	23,000	17,480	800	3/4	3/8	3/4	3/8	3/4	3/8	0.057	A4TXV01
	E(C,M,U)1P19B	A80UH1E070B12*	13.5	11.5	23,000	17,480	800	3/4	3/8	3/4	3/8	3/4	3/8	0.057	A4TXV01
	E(C,M,U)1P24B	A80UH1E070B12*	13.5	11.5	23,000	17,480	800	3/4	3/8	3/4	3/8	3/4	3/8	0.057	A4TXV01
	E(C,M,U)1P30B	A80UH1E070B12*	14.0	12.0	23,000	17,480	800	3/4	3/8	3/4	3/8	3/4	3/8	0.057	A4TXV01
	E(C,H,M,U)1P23A	A80UH2V070A12	14.0	12.0	22,800	17,330	800	3/4	3/8	3/4	3/8	3/4	3/8	0.057	A4TXV01
	E(C,H,M,U)1P29A	A80UH2V070A12	14.0	12.0	22,800	17,330	800	3/4	3/8	3/4	3/8	3/4	3/8	0.057	A4TXV01
	E(C,H,M,U)1P36A	A80UH2V070A12	14.0	12.0	22,800	17,330	800	3/4	3/8	3/4	3/8	3/4	3/8	0.057	A4TXV01
	E(C,M,U)1P19A	A80UH2V070A12	14.0	11.5	22,600	17,180	800	3/4	3/8	3/4	3/8	3/4	3/8	0.057	A4TXV01
	E(C,M,U)1P24A	A80UH2V070A12	14.0	12.0	22,800	17,330	800	3/4	3/8	3/4	3/8	3/4	3/8	0.057	A4TXV01
	E(C,M,U)1P30A	A80UH2V070A12	14.0	12.0	22,800	17,330	800	3/4	3/8	3/4	3/8	3/4	3/8	0.057	A4TXV01
	E(C,H,M,U)1P23B	A95DF1E045B12S	14.0	12.0	22,800	17,330	800	3/4	3/8	3/4	3/8	3/4	3/8	0.057	A4TXV01
	E(C,H,M,U)1P29B	A95DF1E045B12S	14.0	12.0	22,800	17,330	800	3/4	3/8	3/4	3/8	3/4	3/8	0.057	A4TXV01
	E(C,H,M,U)1P36B	A95DF1E045B12S	14.0	12.0	22,800	17,330	800	3/4	3/8	3/4	3/8	3/4	3/8	0.057	A4TXV01
	E(C,M,U)1P19B	A95DF1E045B12S	14.0	12.0	22,800	17,330	800	3/4	3/8	3/4	3/8	3/4	3/8	0.057	A4TXV01
	E(C,M,U)1P24B	A95DF1E045B12S	14.0	12.0	22,800	17,330	800	3/4	3/8	3/4	3/8	3/4	3/8	0.057	A4TXV01
E(C,M,U)1P30B	A95DF1E045B12S	14.0	12.0	22,800	17,330	800	3/4	3/8	3/4	3/8	3/4	3/8	0.057	A4TXV01	
E(C,H,M,U)1P23B	A95DF2V045B12S	14.0	12.0	23,000	17,480	800	3/4	3/8	3/4	3/8	3/4	3/8	0.057	A4TXV01	

Note:

¹ Certified in accordance with Unitary Air Conditioner Certification Program, which is based on AHRI Standard 210/240

² Required to achieve AHRI rating. If NA (Not Applicable) is in the piston column, then TXV is required.

³ A blower time delay relay is required to achieve AHRI rating. This feature is standard on all Allied Air Enterprises furnace and AH products.

Cooling Performance with Air Handlers and Furnaces 24

Outdoor Model	Indoor Model	Variable Speed Furnace	SEER	EER	Rated ARI Capacity ¹ BTUH	Rated Sensible Capacity BTUH	CFM	Refrigerant Connection				Refrigerant Line Size		Indoor Expansion Device	
	Evaporator Coil or Air Handler ³							Outdoor		Indoor		Suction	Liquid	Piston ²	TXV
								Suction	Liquid	Suction	Liquid				
4AC13L 24P-5	E(C,H,M,U)1P29B	A95DF2V045B12S	14.0	12.0	23,000	17,480	800	3/4	3/8	3/4	3/8	3/4	3/8	0.057	A4TXV01
	E(C,H,M,U)1P36B	A95DF2V045B12S	14.0	12.0	23,000	17,480	800	3/4	3/8	3/4	3/8	3/4	3/8	0.057	A4TXV01
	E(C,M,U)1P19B	A95DF2V045B12S	14.0	12.0	23,000	17,480	800	3/4	3/8	3/4	3/8	3/4	3/8	0.057	A4TXV01
	E(C,M,U)1P24B	A95DF2V045B12S	14.0	12.0	23,000	17,480	800	3/4	3/8	3/4	3/8	3/4	3/8	0.057	A4TXV01
	E(C,M,U)1P30B	A95DF2V045B12S	14.0	12.0	23,000	17,480	800	3/4	3/8	3/4	3/8	3/4	3/8	0.057	A4TXV01
	E(C,H,M,U)1P23B	A95DF2V070B16S	14.0	12.0	23,000	17,480	800	3/4	3/8	3/4	3/8	3/4	3/8	0.057	A4TXV01
	E(C,H,M,U)1P29B	A95DF2V070B16S	14.0	12.0	23,000	17,480	800	3/4	3/8	3/4	3/8	3/4	3/8	0.057	A4TXV01
	E(C,H,M,U)1P36B	A95DF2V070B16S	14.0	12.0	23,000	17,480	800	3/4	3/8	3/4	3/8	3/4	3/8	0.057	A4TXV01
	E(C,M,U)1P19B	A95DF2V070B16S	13.5	11.5	23,000	17,480	800	3/4	3/8	3/4	3/8	3/4	3/8	0.057	A4TXV01
	E(C,M,U)1P24B	A95DF2V070B16S	14.0	12.0	23,000	17,480	800	3/4	3/8	3/4	3/8	3/4	3/8	0.057	A4TXV01
	E(C,M,U)1P30B	A95DF2V070B16S	14.0	12.0	23,000	17,480	800	3/4	3/8	3/4	3/8	3/4	3/8	0.057	A4TXV01
	E(C,H,M,U)1P36C	A95DF2V090C20S	14.0	12.0	23,000	17,480	800	3/4	3/8	3/4	3/8	3/4	3/8	0.057	A4TXV01
	E(C,H,M,U)1P36C	A95DF2V110C20S	14.0	12.0	23,000	17,480	800	3/4	3/8	3/4	3/8	3/4	3/8	0.057	A4TXV01
	E(C,H,M,U)1P23B	A95UH1E045B12S	14.0	12.0	22,800	17,330	800	3/4	3/8	3/4	3/8	3/4	3/8	0.057	A4TXV01
	E(C,H,M,U)1P29B	A95UH1E045B12S	14.0	12.0	22,800	17,330	800	3/4	3/8	3/4	3/8	3/4	3/8	0.057	A4TXV01
	E(C,H,M,U)1P36B	A95UH1E045B12S	14.0	12.0	22,800	17,330	800	3/4	3/8	3/4	3/8	3/4	3/8	0.057	A4TXV01
	E(C,M,U)1P19B	A95UH1E045B12S	14.0	12.0	22,800	17,330	800	3/4	3/8	3/4	3/8	3/4	3/8	0.057	A4TXV01
	E(C,M,U)1P24B	A95UH1E045B12S	14.0	12.0	22,800	17,330	800	3/4	3/8	3/4	3/8	3/4	3/8	0.057	A4TXV01
	E(C,M,U)1P30B	A95UH1E045B12S	14.0	12.0	22,800	17,330	800	3/4	3/8	3/4	3/8	3/4	3/8	0.057	A4TXV01
	E(C,H,M,U)1P23B	A95UH1E070B12S	14.0	12.0	23,000	17,480	800	3/4	3/8	3/4	3/8	3/4	3/8	0.057	A4TXV01
	E(C,H,M,U)1P29B	A95UH1E070B12S	14.0	12.0	23,000	17,480	800	3/4	3/8	3/4	3/8	3/4	3/8	0.057	A4TXV01
	E(C,H,M,U)1P36B	A95UH1E070B12S	14.0	12.0	23,000	17,480	800	3/4	3/8	3/4	3/8	3/4	3/8	0.057	A4TXV01
	E(C,M,U)1P19B	A95UH1E070B12S	14.0	12.0	23,000	17,480	800	3/4	3/8	3/4	3/8	3/4	3/8	0.057	A4TXV01
	E(C,M,U)1P24B	A95UH1E070B12S	14.0	12.0	23,000	17,480	800	3/4	3/8	3/4	3/8	3/4	3/8	0.057	A4TXV01
	E(C,M,U)1P30B	A95UH1E070B12S	14.0	12.0	23,000	17,480	800	3/4	3/8	3/4	3/8	3/4	3/8	0.057	A4TXV01
	E(C,H,M,U)1P23B	A95UH2V045B12S	14.0	12.0	23,000	17,480	800	3/4	3/8	3/4	3/8	3/4	3/8	0.057	A4TXV01
	E(C,H,M,U)1P29B	A95UH2V045B12S	14.0	12.0	23,000	17,480	800	3/4	3/8	3/4	3/8	3/4	3/8	0.057	A4TXV01
	E(C,H,M,U)1P36B	A95UH2V045B12S	14.0	12.0	23,000	17,480	800	3/4	3/8	3/4	3/8	3/4	3/8	0.057	A4TXV01
E(C,M,U)1P19B	A95UH2V045B12S	14.0	12.0	23,000	17,480	800	3/4	3/8	3/4	3/8	3/4	3/8	0.057	A4TXV01	
E(C,M,U)1P24B	A95UH2V045B12S	14.0	12.0	23,000	17,480	800	3/4	3/8	3/4	3/8	3/4	3/8	0.057	A4TXV01	

Note:

¹ Certified in accordance with Unitary Air Conditioner Certification Program, which is based on AHRI Standard 210/240

² Required to achieve AHRI rating. If NA (Not Applicable) is in the piston column, then TXV is required

³ A blower time delay relay is required to achieve AHRI rating. This feature is standard on all Allied Air Enterprises furnace and AH products.

13 SEER Split System Air Conditioner

Cooling Performance with Air Handlers and Furnaces 24, 30

Outdoor Model	Indoor Model	Variable Speed Furnace	SEER	EER	Rated ARI Capacity ¹ BTUH	Rated Sensible Capacity BTUH	CFM	Refrigerant Connection				Refrigerant Line Size		Indoor Expansion Device	
	Evaporator Coil or Air Handler ³							Outdoor		Indoor		Suction	Liquid	Piston ²	TXV
								Suction	Liquid	Suction	Liquid				
4AC13L 24P-5	E(C,M,U)1P30B	A95UH2V045B12S	14.0	12.0	23,000	17,480	800	3/4	3/8	3/4	3/8	3/4	3/8	0.057	A4TXV01
	E(C,H,M,U)1P23B	A95UH2V070B12S	14.0	12.0	23,000	17,480	800	3/4	3/8	3/4	3/8	3/4	3/8	0.057	A4TXV01
	E(C,H,M,U)1P29B	A95UH2V070B12S	14.0	12.0	23,000	17,480	800	3/4	3/8	3/4	3/8	3/4	3/8	0.057	A4TXV01
	E(C,H,M,U)1P36B	A95UH2V070B12S	14.0	12.0	23,000	17,480	800	3/4	3/8	3/4	3/8	3/4	3/8	0.057	A4TXV01
	E(C,M,U)1P19B	A95UH2V070B12S	14.0	12.0	23,000	17,480	800	3/4	3/8	3/4	3/8	3/4	3/8	0.057	A4TXV01
	E(C,M,U)1P24B	A95UH2V070B12S	14.0	12.0	23,000	17,480	800	3/4	3/8	3/4	3/8	3/4	3/8	0.057	A4TXV01
	E(C,M,U)1P30B	A95UH2V070B12S	14.0	12.0	23,000	17,480	800	3/4	3/8	3/4	3/8	3/4	3/8	0.057	A4TXV01
	E(C,H,M,U)1P36C	A95UH2V090C12S	14.0	12.0	23,000	17,480	800	3/4	3/8	3/4	3/8	3/4	3/8	0.057	A4TXV01
4AC13L 30P-5	BGS2M30C****P		13.0	11.0	28,000	21,000	1000	3/4	3/8	7/8	3/8	3/4	3/8	0.065	A4TXV01
	BGS2M36C****P		13.0	11.0	28,000	21,000	1000	3/4	3/8	7/8	3/8	3/4	3/8	0.065	A4TXV01
	BGS2M36V****P		14.0	12.0	28,000	21,000	1000	3/4	3/8	7/8	3/8	3/4	3/8	0.065	A4TXV01
	E(C,H,M,U)1P23A	A80DF1E045A12	13.5	11.5	29,000	21,750	1000	3/4	3/8	3/4	3/8	3/4	3/8	0.065	A4TXV01
	E(C,H,M,U)1P29A	A80DF1E045A12	13.5	11.5	29,000	21,750	1000	3/4	3/8	3/4	3/8	3/4	3/8	0.065	A4TXV01
	E(C,H,M,U)1P36A	A80DF1E045A12	13.5	11.5	29,000	21,750	1000	3/4	3/8	3/4	3/8	3/4	3/8	0.065	A4TXV01
	E(C,M,U)1P30A	A80DF1E045A12	13.5	11.5	29,000	21,750	1000	3/4	3/8	3/4	3/8	3/4	3/8	0.065	A4TXV01
	E(C,H,M,U)1P23B	A80DF1E070B12	14.0	12.0	29,000	21,750	1000	3/4	3/8	3/4	3/8	3/4	3/8	0.065	A4TXV01
	E(C,H,M,U)1P29B	A80DF1E070B12	14.0	12.0	29,000	21,750	1000	3/4	3/8	3/4	3/8	3/4	3/8	0.065	A4TXV01
	E(C,H,M,U)1P36B	A80DF1E070B12	14.0	11.5	29,000	21,750	1000	3/4	3/8	3/4	3/8	3/4	3/8	0.065	A4TXV01
	E(C,H,M,U)1P43B	A80DF1E070B12	14.0	12.0	29,000	21,750	1000	3/4	3/8	7/8	3/8	3/4	3/8	0.065	A4TXV01
	E(C,M,U)1P30B	A80DF1E070B12	14.0	12.0	29,000	21,750	1000	3/4	3/8	3/4	3/8	3/4	3/8	0.065	A4TXV01
	E(C,H,M,U)1P23B	A80DF1E090B16	14.0	12.0	29,000	21,750	1000	3/4	3/8	3/4	3/8	3/4	3/8	0.065	A4TXV01
	E(C,H,M,U)1P29B	A80DF1E090B16	14.0	12.0	29,000	21,750	1000	3/4	3/8	3/4	3/8	3/4	3/8	0.065	A4TXV01
	E(C,H,M,U)1P36B	A80DF1E090B16	14.0	11.5	29,000	21,750	1000	3/4	3/8	3/4	3/8	3/4	3/8	0.065	A4TXV01
	E(C,H,M,U)1P43B	A80DF1E090B16	14.0	12.0	29,000	21,750	1000	3/4	3/8	7/8	3/8	3/4	3/8	0.065	A4TXV01
	E(C,M,U)1P30B	A80DF1E090B16	14.0	12.0	29,000	21,750	1000	3/4	3/8	3/4	3/8	3/4	3/8	0.065	A4TXV01
	E(C,H,M,U)1P23A	A80UH1E045A12*	14.0	12.0	29,000	21,750	1000	3/4	3/8	3/4	3/8	3/4	3/8	0.065	A4TXV01
	E(C,H,M,U)1P29A	A80UH1E045A12*	14.0	12.0	29,000	21,750	1000	3/4	3/8	3/4	3/8	3/4	3/8	0.065	A4TXV01
	E(C,H,M,U)1P36A	A80UH1E045A12*	13.5	11.5	29,000	21,750	1000	3/4	3/8	3/4	3/8	3/4	3/8	0.065	A4TXV01
E(C,M,U)1P30A	A80UH1E045A12*	14.0	12.0	29,000	21,750	1000	3/4	3/8	3/4	3/8	3/4	3/8	0.065	A4TXV01	
E(C,H,M,U)1P23B	A80UH1E070B12*	14.0	12.0	29,000	21,750	1000	3/4	3/8	3/4	3/8	3/4	3/8	0.065	A4TXV01	

Note:

¹ Certified in accordance with Unitary Air Conditioner Certification Program, which is based on AHRI Standard 210/240

² Required to achieve AHRI rating. If NA (Not Applicable) is in the piston column, then TXV is required.

³ A blower time delay relay is required to achieve AHRI rating. This feature is standard on all Allied Air Enterprises furnace and AH products.

Cooling Performance with Air Handlers and Furnaces 30

Outdoor Model	Indoor Model	Variable Speed Furnace	SEER	EER	Rated ARI Capacity ¹ BTUH	Rated Sensible Capacity BTUH	CFM	Refrigerant Connection				Refrigerant Line Size		Indoor Expansion Device	
	Evaporator Coil or Air Handler ³							Outdoor		Indoor		Suction	Liquid	Piston ²	TXV
								Suction	Liquid	Suction	Liquid				
4AC13L 30P-5	E(C,H,M,U)1P29B	A80UH1E070B12*	14.0	12.0	29,000	21,750	1000	3/4	3/8	3/4	3/8	3/4	3/8	0.065	A4TXV01
	E(C,H,M,U)1P36B	A80UH1E070B12*	14.0	11.5	29,000	21,750	1000	3/4	3/8	3/4	3/8	3/4	3/8	0.065	A4TXV01
	E(C,H,M,U)1P43B	A80UH1E070B12*	14.0	12.0	29,000	21,750	1000	3/4	3/8	7/8	3/8	3/4	3/8	0.065	A4TXV01
	E(C,M,U)1P30B	A80UH1E070B12*	14.0	12.0	29,000	21,750	1000	3/4	3/8	3/4	3/8	3/4	3/8	0.065	A4TXV01
	E(C,H,M,U)1P23B	A80UH1E090B16*	14.0	12.0	29,000	21,750	1000	3/4	3/8	3/4	3/8	3/4	3/8	0.065	A4TXV01
	E(C,H,M,U)1P29B	A80UH1E090B16*	14.0	12.0	29,000	21,750	1000	3/4	3/8	3/4	3/8	3/4	3/8	0.065	A4TXV01
	E(C,H,M,U)1P36B	A80UH1E090B16*	14.0	11.5	29,000	21,750	1000	3/4	3/8	3/4	3/8	3/4	3/8	0.065	A4TXV01
	E(C,H,M,U)1P43B	A80UH1E090B16*	14.0	12.0	29,000	21,750	1000	3/4	3/8	7/8	3/8	3/4	3/8	0.065	A4TXV01
	E(C,M,U)1P30B	A80UH1E090B16*	14.0	12.0	29,000	21,750	1000	3/4	3/8	3/4	3/8	3/4	3/8	0.065	A4TXV01
	E(C,H,M,U)1P23A	A80UH2V070A12	13.5	11.5	28,000	21,000	1000	3/4	3/8	3/4	3/8	3/4	3/8	0.065	A4TXV01
	E(C,H,M,U)1P29A	A80UH2V070A12	13.5	11.5	28,000	21,750	1000	3/4	3/8	3/4	3/8	3/4	3/8	0.065	A4TXV01
	E(C,H,M,U)1P36A	A80UH2V070A12	13.5	11.5	28,000	21,000	1000	3/4	3/8	3/4	3/8	3/4	3/8	0.065	A4TXV01
	E(C,M,U)1P30A	A80UH2V070A12	13.5	11.5	28,000	21,000	1000	3/4	3/8	3/4	3/8	3/4	3/8	0.065	A4TXV01
	E(C,H,M,U)1P23B	A95DF1E045B12S	13.5	11.5	29,000	21,750	1000	3/4	3/8	3/4	3/8	3/4	3/8	0.065	A4TXV01
	E(C,H,M,U)1P29B	A95DF1E045B12S	13.5	12.0	29,000	21,750	1000	3/4	3/8	3/4	3/8	3/4	3/8	0.065	A4TXV01
	E(C,H,M,U)1P36B	A95DF1E045B12S	13.5	11.5	29,000	21,750	1000	3/4	3/8	3/4	3/8	3/4	3/8	0.065	A4TXV01
	E(C,H,M,U)1P43B	A95DF1E045B12S	13.5	12.0	29,000	21,750	1000	3/4	3/8	7/8	3/8	3/4	3/8	0.065	A4TXV01
	E(C,M,U)1P30B	A95DF1E045B12S	13.5	11.5	29,000	21,750	1000	3/4	3/8	3/4	3/8	3/4	3/8	0.065	A4TXV01
	E(C,H,M,U)1P23B	A95DF1E070B16S	13.5	11.5	29,000	21,750	1000	3/4	3/8	3/4	3/8	3/4	3/8	0.065	A4TXV01
	E(C,H,M,U)1P29B	A95DF1E070B16S	13.5	11.5	29,000	21,750	1000	3/4	3/8	3/4	3/8	3/4	3/8	0.065	A4TXV01
	E(C,H,M,U)1P36B	A95DF1E070B16S	13.5	11.5	29,000	21,750	1000	3/4	3/8	3/4	3/8	3/4	3/8	0.065	A4TXV01
	E(C,H,M,U)1P43B	A95DF1E070B16S	13.5	12.0	29,000	21,750	1000	3/4	3/8	7/8	3/8	3/4	3/8	0.065	A4TXV01
	E(C,M,U)1P30B	A95DF1E070B16S	14.0	12.0	29,000	21,750	1000	3/4	3/8	3/4	3/8	3/4	3/8	0.065	A4TXV01
	E(C,H,M,U)1P36C	A95DF1E090C16S	13.5	11.5	29,000	21,750	1000	3/4	3/8	3/4	3/8	3/4	3/8	0.065	A4TXV01
	E(C,H,M,U)1P43C	A95DF1E090C16S	13.5	12.0	29,000	21,750	1000	3/4	3/8	3/4	3/8	3/4	3/8	0.065	A4TXV01
	E(C,M,U)1P30C	A95DF1E090C16S	13.5	11.5	29,000	21,750	1000	3/4	3/8	3/4	3/8	3/4	3/8	0.065	A4TXV01
	E(C,H,M,U)1P23B	A95DF2V045B12S	14.0	12.0	29,000	21,750	1000	3/4	3/8	3/4	3/8	3/4	3/8	0.065	A4TXV01
	E(C,H,M,U)1P29B	A95DF2V045B12S	14.0	12.0	29,000	21,750	1000	3/4	3/8	3/4	3/8	3/4	3/8	0.065	A4TXV01
	E(C,H,M,U)1P36B	A95DF2V045B12S	14.0	11.5	29,000	21,750	1000	3/4	3/8	3/4	3/8	3/4	3/8	0.065	A4TXV01
	E(C,H,M,U)1P43B	A95DF2V045B12S	13.5	12.0	29,000	21,750	1000	3/4	3/8	7/8	3/8	3/4	3/8	0.065	A4TXV01

Note:

¹ Certified in accordance with Unitary Air Conditioner Certification Program, which is based on AHRI Standard 210/240

² Required to achieve AHRI rating. If NA (Not Applicable) is in the piston column, then TXV is required.

³ A blower time delay relay is required to achieve AHRI rating. This feature is standard on all Allied Air Enterprises furnace and AH products.

13 SEER Split System Air Conditioner

Cooling Performance with Air Handlers and Furnaces 30

Outdoor Model	Indoor Model	Variable Speed Furnace	SEER	EER	Rated ARI Capacity ¹ BTUH	Rated Sensible Capacity BTUH	CFM	Refrigerant Connection				Refrigerant Line Size		Indoor Expansion Device	
	Evaporator Coil or Air Handler ³							Outdoor		Indoor		Suction	Liquid	Piston ²	TXV
								Suction	Liquid	Suction	Liquid				
4AC13L 30P-5	E(C,M,U)1P30B	A95DF2V045B12S	14.0	12.0	29,000	21,750	1000	3/4	3/8	3/4	3/8	3/4	3/8	0.065	A4TXV01
	E(C,H,M,U)1P23B	A95DF2V070B16S	13.5	11.5	29,000	21,750	1000	3/4	3/8	3/4	3/8	3/4	3/8	0.065	A4TXV01
	E(C,H,M,U)1P29B	A95DF2V070B16S	14.0	12.0	29,000	21,750	1000	3/4	3/8	3/4	3/8	3/4	3/8	0.065	A4TXV01
	E(C,H,M,U)1P36B	A95DF2V070B16S	13.5	11.5	29,000	21,750	1000	3/4	3/8	3/4	3/8	3/4	3/8	0.065	A4TXV01
	E(C,H,M,U)1P43B	A95DF2V070B16S	13.5	12.0	29,000	21,750	1000	3/4	3/8	7/8	3/8	3/4	3/8	0.065	A4TXV01
	E(C,M,U)1P30B	A95DF2V070B16S	14.0	12.0	29,000	21,750	1000	3/4	3/8	3/4	3/8	3/4	3/8	0.065	A4TXV01
	E(C,H,M,U)1P36C	A95DF2V090C20S	14.0	12.0	29,000	21,750	1000	3/4	3/8	3/4	3/8	3/4	3/8	0.065	A4TXV01
	E(C,H,M,U)1P43C	A95DF2V090C20S	14.0	12.0	29,000	21,750	1000	3/4	3/8	7/8	3/8	3/4	3/8	0.065	A4TXV01
	E(C,M,U)1P30C	A95DF2V090C20S	14.0	12.0	29,000	21,750	1000	3/4	3/8	3/4	3/8	3/4	3/8	0.065	A4TXV01
	E(C,H,M,U)1P36C	A95DF2V110C20S	14.0	11.5	29,000	21,750	1000	3/4	3/8	3/4	3/8	3/4	3/8	0.065	A4TXV01
	E(C,H,M,U)1P43C	A95DF2V110C20S	14.0	12.0	29,000	21,750	1000	3/4	3/8	7/8	3/8	3/4	3/8	0.065	A4TXV01
	E(C,M,U)1P30C	A95DF2V110C20S	14.0	12.0	29,000	21,750	1000	3/4	3/8	3/4	3/8	3/4	3/8	0.065	A4TXV01
	E(C,H,M,U)1P23B	A95UH1E045B12S	13.5	11.5	29,000	21,750	1000	3/4	3/8	3/4	3/8	3/4	3/8	0.065	A4TXV01
	E(C,H,M,U)1P29B	A95UH1E045B12S	13.5	12.0	29,000	21,750	1000	3/4	3/8	3/4	3/8	3/4	3/8	0.065	A4TXV01
	E(C,H,M,U)1P36B	A95UH1E045B12S	13.5	11.5	29,000	21,750	1000	3/4	3/8	3/4	3/8	3/4	3/8	0.065	A4TXV01
	E(C,H,M,U)1P43B	A95UH1E045B12S	13.5	12.0	29,000	21,750	1000	3/4	3/8	7/8	3/8	3/4	3/8	0.065	A4TXV01
	E(C,M,U)1P30B	A95UH1E045B12S	14.0	12.0	29,000	21,750	1000	3/4	3/8	3/4	3/8	3/4	3/8	0.065	A4TXV01
	E(C,H,M,U)1P23B	A95UH1E070B12S	13.5	11.5	29,000	21,750	1000	3/4	3/8	3/4	3/8	3/4	3/8	0.065	A4TXV01
	E(C,H,M,U)1P29B	A95UH1E070B12S	13.5	12.0	29,000	21,750	1000	3/4	3/8	3/4	3/8	3/4	3/8	0.065	A4TXV01
	E(C,H,M,U)1P36B	A95UH1E070B12S	13.5	11.5	29,000	21,750	1000	3/4	3/8	3/4	3/8	3/4	3/8	0.065	A4TXV01
	E(C,H,M,U)1P43B	A95UH1E070B12S	13.5	12.0	29,000	21,750	1000	3/4	3/8	7/8	3/8	3/4	3/8	0.065	A4TXV01
	E(C,M,U)1P30B	A95UH1E070B12S	13.5	11.5	29,000	21,750	1000	3/4	3/8	3/4	3/8	3/4	3/8	0.065	A4TXV01
	E(C,H,M,U)1P36C	A95UH1E090C16S	13.5	11.5	29,000	21,750	1000	3/4	3/8	3/4	3/8	3/4	3/8	0.065	A4TXV01
	E(C,H,M,U)1P43C	A95UH1E090C16S	13.5	12.0	29,000	21,750	1000	3/4	3/8	7/8	3/8	3/4	3/8	0.065	A4TXV01
	E(C,M,U)1P30C	A95UH1E090C16S	13.5	11.5	29,000	21,750	1000	3/4	3/8	3/4	3/8	3/4	3/8	0.065	A4TXV01
	E(C,H,M,U)1P23B	A95UH2V045B12S	13.5	11.5	29,000	21,750	1000	3/4	3/8	3/4	3/8	3/4	3/8	0.065	A4TXV01
	E(C,H,M,U)1P29B	A95UH2V045B12S	13.5	11.5	29,000	21,750	1000	3/4	3/8	3/4	3/8	3/4	3/8	0.065	A4TXV01
	E(C,H,M,U)1P36B	A95UH2V045B12S	13.5	11.5	29,000	21,750	1000	3/4	3/8	3/4	3/8	3/4	3/8	0.065	A4TXV01
	E(C,H,M,U)1P43B	A95UH2V045B12S	13.5	12.0	29,000	21,750	1000	3/4	3/8	7/8	3/8	3/4	3/8	0.065	A4TXV01
	E(C,M,U)1P30B	A95UH2V045B12S	14.0	12.0	29,000	21,750	1000	3/4	3/8	3/4	3/8	3/4	3/8	0.065	A4TXV01

Note:

¹ Certified in accordance with Unitary Air Conditioner Certification Program, which is based on AHRI Standard 210/240

² Required to achieve AHRI rating. If NA (Not Applicable) is in the piston column, then TXV is required.

³ A blower time delay relay is required to achieve AHRI rating. This feature is standard on all Allied Air Enterprises furnace and AH products.

Cooling Performance with Air Handlers and Furnaces 30, 36

Outdoor Model	Indoor Model	Variable Speed Furnace	SEER	EER	Rated ARI Capacity ¹ BTUH	Rated Sensible Capacity BTUH	CFM	Refrigerant Connection				Refrigerant Line Size		Indoor Expansion Device	
	Evaporator Coil or Air Handler ³							Outdoor		Indoor		Suction	Liquid	Piston ²	TXV
								Suction	Liquid	Suction	Liquid				
4AC13L 30P-5	E(C,M,U)1P30B	A95UH2V045B12S	14.0	12.0	29,000	21,750	1000	3/4	3/8	3/4	3/8	3/4	3/8	0.065	A4TXV01
	E(C,H,M,U)1P23B	A95UH2V070B12S	14.0	12.0	29,000	21,750	1000	3/4	3/8	3/4	3/8	3/4	3/8	0.065	A4TXV01
	E(C,H,M,U)1P29B	A95UH2V070B12S	14.0	12.0	29,000	21,750	1000	3/4	3/8	3/4	3/8	3/4	3/8	0.065	A4TXV01
	E(C,H,M,U)1P36B	A95UH2V070B12S	14.0	11.5	29,000	21,750	1000	3/4	3/8	3/4	3/8	3/4	3/8	0.065	A4TXV01
	E(C,H,M,U)1P43B	A95UH2V070B12S	14.0	12.0	29,000	21,750	1000	3/4	3/8	7/8	3/8	3/4	3/8	0.065	A4TXV01
	E(C,M,U)1P30B	A95UH2V070B12S	14.0	12.0	29,000	21,750	1000	3/4	3/8	3/4	3/8	3/4	3/8	0.065	A4TXV01
	E(C,H,M,U)1P36C	A95UH2V090C12S	14.0	11.5	29,000	21,750	1000	3/4	3/8	3/4	3/8	3/4	3/8	0.065	A4TXV01
	E(C,H,M,U)1P43C	A95UH2V090C12S	14.0	12.0	29,000	21,750	1000	3/4	3/8	7/8	3/8	3/4	3/8	0.065	A4TXV01
	E(C,M,U)1P30C	A95UH2V090C12S	14.0	12.0	29,000	21,750	1000	3/4	3/8	3/4	3/8	3/4	3/8	0.065	A4TXV01
4AC13L 36P-7	BCS2M36C****P		13.00	11.00	34,000	24800	1200	3/4	3/8	7/8	3/8	3/4	3/8	0.072	A4TXV01
	BCS2M36V****P		13.50	11.00	34,000	24800	1200	3/4	3/8	7/8	3/8	3/4	3/8	0.072	A4TXV01
	E(C,H,M,U)1P36B	EFV12BC	13.50	11.00	34,000	24800	1200	3/4	3/8	7/8	3/8	3/4	3/8	0.072	A4TXV01
	E(C,H,M,U)1P36B	A80DF1E090B16	13.50	11.00	34,000	24800	1200	3/4	3/8	7/8	3/8	3/4	3/8	0.072	A4TXV01
	E(C,H,M,U)1P36C	A80DF1E110C20	13.50	11.00	34,000	24800	1200	3/4	3/8	7/8	3/8	3/4	3/8	0.072	A4TXV01
	E(C,H,M,U)1P36C	A80DF2V110C20	13.50	11.00	34,000	24800	1200	3/4	3/8	7/8	3/8	3/4	3/8	0.072	A4TXV01
	E(C,H,M,U)1P36B	A80UH1E090B16*	13.50	11.00	34,000	24800	1200	3/4	3/8	7/8	3/8	3/4	3/8	0.072	A4TXV01
	E(C,H,M,U)1P36C	A80UH1E090C20*	13.50	11.00	34,000	24800	1200	3/4	3/8	7/8	3/8	3/4	3/8	0.072	A4TXV01
	E(C,H,M,U)1P36C	A80UH1E110C20*	13.50	11.00	34,000	24800	1200	3/4	3/8	7/8	3/8	3/4	3/8	0.072	A4TXV01
	E(C,H,M,U)1P36C	A80UH2V090C20	13.50	11.00	34,000	24800	1200	3/4	3/8	7/8	3/8	3/4	3/8	0.072	A4TXV01
	E(C,H,M,U)1P36C	A80UH2V110C20	13.50	11.00	34,000	24800	1200	3/4	3/8	7/8	3/8	3/4	3/8	0.072	A4TXV01
	E(C,H,M,U)1P36C	A95DF1E090C16S	13.50	11.00	34,000	24800	1200	3/4	3/8	7/8	3/8	3/4	3/8	0.072	A4TXV01
	E(C,H,M,U)1P36C	A95DF1E110C20S	13.50	11.00	34,000	24800	1200	3/4	3/8	7/8	3/8	3/4	3/8	0.072	A4TXV01
	E(C,H,M,U)1P36C	A95DF2V090C20S	13.50	11.00	34,000	24800	1200	3/4	3/8	7/8	3/8	3/4	3/8	0.072	A4TXV01
	E(C,H,M,U)1P36C	A95DF2V110C20S	13.50	11.00	34,000	24800	1200	3/4	3/8	7/8	3/8	3/4	3/8	0.072	A4TXV01
	E(C,H,M,U)1P36C	A95UH1E090C16S	13.50	11.00	34,000	24800	1200	3/4	3/8	7/8	3/8	3/4	3/8	0.072	A4TXV01
	E(C,H,M,U)1P36C	A95UH1E110C20S	13.50	11.00	34,000	24800	1200	3/4	3/8	7/8	3/8	3/4	3/8	0.072	A4TXV01
	E(C,H,M,U)1P36C	A95UH2V090C12S	13.50	11.00	34,000	24800	1200	3/4	3/8	7/8	3/8	3/4	3/8	0.072	A4TXV01
	E(C,H,M,U)1P36C	A95UH2V090C16S	13.50	11.00	34,000	24800	1200	3/4	3/8	7/8	3/8	3/4	3/8	0.072	A4TXV01
	E(C,H,M,U)1P36C	A95UH2V090C20S	13.50	11.00	34,000	24800	1200	3/4	3/8	7/8	3/8	3/4	3/8	0.072	A4TXV01
E(C,H,M,U)1P36C	A95UH2V110C16S	13.50	11.00	34,000	24800	1200	3/4	3/8	7/8	3/8	3/4	3/8	0.072	A4TXV01	

Note:

¹ Certified in accordance with Unitary Air Conditioner Certification Program, which is based on AHRI Standard 210/240

² Required to achieve AHRI rating. If NA (Not Applicable) is in the piston column, then TXV is required.

³ A blower time delay relay is required to achieve AHRI rating. This feature is standard on all Allied Air Enterprises furnace and AH products.

13 SEER Split System Air Conditioner

Cooling Performance with Air Handlers and Furnaces 36

Outdoor Model	Indoor Model	Variable Speed Furnace	SEER	EER	Rated ARI Capacity ¹ BTUH	Rated Sensible Capacity BTUH	CFM	Refrigerant Connection				Refrigerant Line Size		Indoor Expansion Device	
	Evaporator Coil or Air Handler ³							Outdoor		Indoor		Suction	Liquid	Piston ²	TXV
								Suction	Liquid	Suction	Liquid				
4AC13L 36P-7	E(C,H,M,U)1P36C	A95UH2V110C20S	13.50	11.00	34,000	24800	1200	3/4	3/8	7/8	3/8	3/4	3/8	0.072	A4TXV01
	E(C,H,M,U)1P36C	A97DSMV090C16	13.50	11.00	34,000	24800	1200	3/4	3/8	7/8	3/8	3/4	3/8	0.072	A4TXV01
	E(C,H,M,U)1P36C	A97DSMV090C20	13.50	11.00	34,000	24800	1200	3/4	3/8	7/8	3/8	3/4	3/8	0.072	A4TXV01
	E(C,H,M,U)1P36C	A97DSMV110C20	13.50	11.00	34,000	24800	1200	3/4	3/8	7/8	3/8	3/4	3/8	0.072	A4TXV01
	E(C,H,M,U)1P36C	A97USMV090C12	13.50	11.00	34,000	24800	1200	3/4	3/8	7/8	3/8	3/4	3/8	0.072	A4TXV01
	E(C,H,M,U)1P36C	A97USMV090C16	13.50	11.00	34,000	24800	1200	3/4	3/8	7/8	3/8	3/4	3/8	0.072	A4TXV01
	E(C,H,M,U)1P36C	A97USMV090C20	13.50	11.00	34,000	24800	1200	3/4	3/8	7/8	3/8	3/4	3/8	0.072	A4TXV01
	E(C,H,M,U)1P36C	A97USMV110C20	13.50	11.00	34,000	24800	1200	3/4	3/8	7/8	3/8	3/4	3/8	0.072	A4TXV01
	E(C,H,M,U)1P36B	A96DFMV070B12	13.50	11.00	34,000	24800	1200	3/4	3/8	7/8	3/8	3/4	3/8	0.072	A4TXV01
	E(C,H,M,U)1P36C	A96DFMV090C16	13.50	11.00	34,000	24800	1200	3/4	3/8	7/8	3/8	3/4	3/8	0.072	A4TXV01
	E(C,H,M,U)1P36C	A96DFMV090C20	13.50	11.00	34,000	24800	1200	3/4	3/8	7/8	3/8	3/4	3/8	0.072	A4TXV01
	E(C,H,M,U)1P36C	A96DFMV110C20	13.50	11.00	34,000	24800	1200	3/4	3/8	7/8	3/8	3/4	3/8	0.072	A4TXV01
	E(C,H,M,U)1P36B	A96UFMV070B12	13.50	11.00	34,000	24800	1200	3/4	3/8	7/8	3/8	3/4	3/8	0.072	A4TXV01
	E(C,H,M,U)1P36C	A96UHMV090C12	13.50	11.00	34,000	24800	1200	3/4	3/8	7/8	3/8	3/4	3/8	0.072	A4TXV01
	E(C,H,M,U)1P36C	A96UHMV090C16	13.50	11.00	34,000	24800	1200	3/4	3/8	7/8	3/8	3/4	3/8	0.072	A4TXV01
	E(C,H,M,U)1P36C	A96UHMV090C20	13.50	11.00	34,000	24800	1200	3/4	3/8	7/8	3/8	3/4	3/8	0.072	A4TXV01
	E(C,H,M,U)1P36C	A96UHMV110C20	13.50	11.00	34,000	24800	1200	3/4	3/8	7/8	3/8	3/4	3/8	0.072	A4TXV01
	E(C,H,M,U)1P43B	EFV12BC	13.50	11.00	34,000	24800	1200	3/4	3/8	7/8	3/8	3/4	3/8	0.072	A4TXV01
	E(C,H,M,U)1P43B	A80DF1E090B16	13.50	11.00	34,000	24800	1200	3/4	3/8	7/8	3/8	3/4	3/8	0.072	A4TXV01
	E(C,H,M,U)1P43C	A80DF1E110C20	13.50	11.00	34,000	24800	1200	3/4	3/8	7/8	3/8	3/4	3/8	0.072	A4TXV01
	E(C,H,M,U)1P43B	A80DF2V090B16	13.50	11.00	34,000	24800	1200	3/4	3/8	7/8	3/8	3/4	3/8	0.072	A4TXV01
	E(C,H,M,U)1P43C	A80DF2V110C20	13.50	11.00	34,000	24800	1200	3/4	3/8	7/8	3/8	3/4	3/8	0.072	A4TXV01
	E(C,H,M,U)1P43B	A80UH1E090B16*	13.50	11.00	34,000	24800	1200	3/4	3/8	7/8	3/8	3/4	3/8	0.072	A4TXV01
	E(C,H,M,U)1P43C	A80UH1E090C20*	13.50	11.00	34,000	24800	1200	3/4	3/8	7/8	3/8	3/4	3/8	0.072	A4TXV01
	E(C,H,M,U)1P43C	A80UH1E110C20*	13.50	11.00	34,000	24800	1200	3/4	3/8	7/8	3/8	3/4	3/8	0.072	A4TXV01
	E(C,H,M,U)1P43C	A80UH2V090C20	13.50	11.00	34,000	24800	1200	3/4	3/8	7/8	3/8	3/4	3/8	0.072	A4TXV01
	E(C,H,M,U)1P43C	A80UH2V110C20	13.50	11.00	34,000	24800	1200	3/4	3/8	7/8	3/8	3/4	3/8	0.072	A4TXV01
	E(C,H,M,U)1P43C	A95DF1E090C16S	13.50	11.00	34,000	24800	1200	3/4	3/8	7/8	3/8	3/4	3/8	0.072	A4TXV01
E(C,H,M,U)1P43C	A95DF1E110C20S	13.50	11.00	34,000	24800	1200	3/4	3/8	7/8	3/8	3/4	3/8	0.072	A4TXV01	
E(C,H,M,U)1P43C	A95DF2V090C20S	13.50	11.00	34,000	24800	1200	3/4	3/8	7/8	3/8	3/4	3/8	0.072	A4TXV01	

Note:

¹ Certified in accordance with Unitary Air Conditioner Certification Program, which is based on AHRI Standard 210/240

² Required to achieve AHRI rating. If NA (Not Applicable) is in the piston column, then TXV is required.

³ A blower time delay relay is required to achieve AHRI rating. This feature is standard on all Allied Air Enterprises furnace and AH products.

Cooling Performance with Air Handlers and Furnaces 36

Outdoor Model	Indoor Model	Variable Speed Furnace	SEER	EER	Rated ARI Capacity ¹ BTUH	Rated Sensible Capacity BTUH	CFM	Refrigerant Connection				Refrigerant Line Size		Indoor Expansion Device	
	Evaporator Coil or Air Handler ³							Outdoor		Indoor		Suction	Liquid	Piston ²	TXV
								Suction	Liquid	Suction	Liquid				
4AC13L 36P-7	E(C,H,M,U)1P43C	A95DF2V110C20S	13.50	11.00	34,000	24800	1200	3/4	3/8	7/8	3/8	3/4	3/8	0.072	A4TXV01
	E(C,H,M,U)1P43C	A95UH1E090C16S	13.50	11.00	34,000	24800	1200	3/4	3/8	7/8	3/8	3/4	3/8	0.072	A4TXV01
	E(C,H,M,U)1P43C	A95UH1E110C20S	13.50	11.00	34,000	24800	1200	3/4	3/8	7/8	3/8	3/4	3/8	0.072	A4TXV01
	E(C,H,M,U)1P43C	A95UH2V090C12S	13.50	11.00	34,000	24800	1200	3/4	3/8	7/8	3/8	3/4	3/8	0.072	A4TXV01
	E(C,H,M,U)1P43C	A95UH2V090C16S	13.50	11.00	34,000	24800	1200	3/4	3/8	7/8	3/8	3/4	3/8	0.072	A4TXV01
	E(C,H,M,U)1P43C	A95UH2V090C20S	13.50	11.00	34,000	24800	1200	3/4	3/8	7/8	3/8	3/4	3/8	0.072	A4TXV01
	E(C,H,M,U)1P43C	A95UH2V110C16S	13.50	11.00	34,000	24800	1200	3/4	3/8	7/8	3/8	3/4	3/8	0.072	A4TXV01
	E(C,H,M,U)1P43C	A95UH2V110C20S	13.50	11.00	34,000	24800	1200	3/4	3/8	7/8	3/8	3/4	3/8	0.072	A4TXV01
	E(C,H,M,U)1P43C	A97DSMV090C16	13.50	11.00	34,000	24800	1200	3/4	3/8	7/8	3/8	3/4	3/8	0.072	A4TXV01
	E(C,H,M,U)1P43C	A97DSMV090C20	13.50	11.00	34,000	24800	1200	3/4	3/8	7/8	3/8	3/4	3/8	0.072	A4TXV01
	E(C,H,M,U)1P43C	A97DSMV110C20	13.50	11.00	34,000	24800	1200	3/4	3/8	7/8	3/8	3/4	3/8	0.072	A4TXV01
	E(C,H,M,U)1P43C	A97USMV090C12	13.50	11.00	34,000	24800	1200	3/4	3/8	7/8	3/8	3/4	3/8	0.072	A4TXV01
	E(C,H,M,U)1P43C	A97USMV090C16	13.50	11.00	34,000	24800	1200	3/4	3/8	7/8	3/8	3/4	3/8	0.072	A4TXV01
	E(C,H,M,U)1P43C	A97USMV090C20	13.50	11.00	34,000	24800	1200	3/4	3/8	7/8	3/8	3/4	3/8	0.072	A4TXV01
	E(C,H,M,U)1P43C	A97USMV110C20	13.50	11.00	34,000	24800	1200	3/4	3/8	7/8	3/8	3/4	3/8	0.072	A4TXV01
	E(C,H,M,U)1P43C	A96DFMV090C16	13.50	11.00	34,000	24800	1200	3/4	3/8	7/8	3/8	3/4	3/8	0.072	A4TXV01
	E(C,H,M,U)1P43C	A96DFMV090C20	13.50	11.00	34,000	24800	1200	3/4	3/8	7/8	3/8	3/4	3/8	0.072	A4TXV01
	E(C,H,M,U)1P43C	A96DFMV110C20	13.50	11.00	34,000	24800	1200	3/4	3/8	7/8	3/8	3/4	3/8	0.072	A4TXV01
	E(C,H,M,U)1P43C	A96UHMV090C12	13.50	11.00	34,000	24800	1200	3/4	3/8	7/8	3/8	3/4	3/8	0.072	A4TXV01
	E(C,H,M,U)1P43C	A96UHMV090C16	13.50	11.00	34,000	24800	1200	3/4	3/8	7/8	3/8	3/4	3/8	0.072	A4TXV01
	E(C,H,M,U)1P43C	A96UHMV090C20	13.50	11.00	34,000	24800	1200	3/4	3/8	7/8	3/8	3/4	3/8	0.072	A4TXV01
	E(C,H,M,U)1P43C	A96UHMV110C20	13.50	11.00	34,000	24800	1200	3/4	3/8	7/8	3/8	3/4	3/8	0.072	A4TXV01
	E(C,H,M,U)1P43C	LB*80*84/95V14	13.50	11.00	34,000	24800	1200	3/4	3/8	7/8	3/8	3/4	3/8	0.072	A4TXV01
	E(C,H,M,U)1P43C	LUF80*84/95V14	13.50	11.00	34,000	24800	1200	3/4	3/8	7/8	3/8	3/4	3/8	0.072	A4TXV01
	E(C,H,M,U)1P43C	LUF80*112/125V20	13.50	11.00	34,000	24800	1200	3/4	3/8	7/8	3/8	3/4	3/8	0.072	A4TXV01
	E(C,H,M,U)1P50C	EFV16CC	13.50	11.00	34,000	24800	1200	3/4	3/8	7/8	3/8	3/4	3/8	0.072	A4TXV01
	E(C,H,M,U)1P50C	A80DF1E110C20	13.50	11.00	34,000	24800	1200	3/4	3/8	7/8	3/8	3/4	3/8	0.072	A4TXV01
	E(C,H,M,U)1P50C	A80DF2V110C20	13.50	11.00	34,000	24800	1200	3/4	3/8	7/8	3/8	3/4	3/8	0.072	A4TXV01
E(C,H,M,U)1P50C	A80UH1E090C20*	13.50	11.00	34,000	24800	1200	3/4	3/8	7/8	3/8	3/4	3/8	0.072	A4TXV01	
E(C,H,M,U)1P50C	A80UH1E110C20*	13.50	11.00	34,000	24800	1200	3/4	3/8	7/8	3/8	3/4	3/8	0.072	A4TXV01	

Note:

¹ Certified in accordance with Unitary Air Conditioner Certification Program, which is based on AHRI Standard 210/240

² Required to achieve AHRI rating. If NA (Not Applicable) is in the piston column, then TXV is required.

³ A blower time delay relay is required to achieve AHRI rating. This feature is standard on all Allied Air Enterprises furnace and AH products.

13 SEER Split System Air Conditioner

Cooling Performance with Air Handlers and Furnaces 36

Outdoor Model	Indoor Model	Variable Speed Furnace	SEER	EER	Rated ARI Capacity ¹ BTUH	Rated Sensible Capacity BTUH	CFM	Refrigerant Connection				Refrigerant Line Size		Indoor Expansion Device	
	Evaporator Coil or Air Handler ³							Outdoor		Indoor		Suction	Liquid	Piston ²	TXV
								Suction	Liquid	Suction	Liquid				
4AC13L 36P-7	E(C,H,M,U)1P50C	A80UH2V090C20	13.50	11.00	34,000	24800	1200	3/4	3/8	7/8	3/8	3/4	3/8	0.072	A4TXV01
	E(C,H,M,U)1P50C	A80UH2V110C20	13.50	11.00	34,000	24800	1200	3/4	3/8	7/8	3/8	3/4	3/8	0.072	A4TXV01
	E(C,H,M,U)1P50C	A95DF1E090C16S	13.50	11.00	34,000	24800	1200	3/4	3/8	7/8	3/8	3/4	3/8	0.072	A4TXV01
	E(C,H,M,U)1P50C	A95DF1E110C20S	13.50	11.00	34,000	24800	1200	3/4	3/8	7/8	3/8	3/4	3/8	0.072	A4TXV01
	E(C,H,M,U)1P50C	A95DF2V090C20S	13.50	11.00	34,000	24800	1200	3/4	3/8	7/8	3/8	3/4	3/8	0.072	A4TXV01
	E(C,H,M,U)1P50C	A95DF2V110C20S	13.50	11.00	34,000	24800	1200	3/4	3/8	7/8	3/8	3/4	3/8	0.072	A4TXV01
	E(C,H,M,U)1P50C	A95UH1E090C16S	13.50	11.00	34,000	24800	1200	3/4	3/8	7/8	3/8	3/4	3/8	0.072	A4TXV01
	E(C,H,M,U)1P50C	A95UH1E110C20S	13.50	11.00	34,000	24800	1200	3/4	3/8	7/8	3/8	3/4	3/8	0.072	A4TXV01
	E(C,H,M,U)1P50C	A95UH2V090C12S	13.50	11.00	34,000	24800	1200	3/4	3/8	7/8	3/8	3/4	3/8	0.072	A4TXV01
	E(C,H,M,U)1P50C	A95UH2V090C16S	13.50	11.00	34,000	24800	1200	3/4	3/8	7/8	3/8	3/4	3/8	0.072	A4TXV01
	E(C,H,M,U)1P50C	A95UH2V090C20S	13.50	11.00	34,000	24800	1200	3/4	3/8	7/8	3/8	3/4	3/8	0.072	A4TXV01
	E(C,H,M,U)1P50C	A95UH2V110C16S	13.50	11.00	34,000	24800	1200	3/4	3/8	7/8	3/8	3/4	3/8	0.072	A4TXV01
	E(C,H,M,U)1P50C	A95UH2V110C20S	13.50	11.00	34,000	24800	1200	3/4	3/8	7/8	3/8	3/4	3/8	0.072	A4TXV01
	E(C,H,M,U)1P50C	A97DSMV090C16	13.50	11.00	34,000	24800	1200	3/4	3/8	7/8	3/8	3/4	3/8	0.072	A4TXV01
	E(C,H,M,U)1P50C	A97DSMV090C20	13.50	11.00	34,000	24800	1200	3/4	3/8	7/8	3/8	3/4	3/8	0.072	A4TXV01
	E(C,H,M,U)1P50C	A97DSMV110C20	13.50	11.00	34,000	24800	1200	3/4	3/8	7/8	3/8	3/4	3/8	0.072	A4TXV01
	E(C,H,M,U)1P50C	A97USMV090C12	13.50	11.00	34,000	24800	1200	3/4	3/8	7/8	3/8	3/4	3/8	0.072	A4TXV01
	E(C,H,M,U)1P50C	A97USMV090C16	13.50	11.00	34,000	24800	1200	3/4	3/8	7/8	3/8	3/4	3/8	0.072	A4TXV01
	E(C,H,M,U)1P50C	A97USMV090C20	13.50	11.00	34,000	24800	1200	3/4	3/8	7/8	3/8	3/4	3/8	0.072	A4TXV01
	E(C,H,M,U)1P50C	A97USMV110C20	13.50	11.00	34,000	24800	1200	3/4	3/8	7/8	3/8	3/4	3/8	0.072	A4TXV01
	E(C,H,M,U)1P50C	A96DFMV090C16	13.50	11.00	34,000	24800	1200	3/4	3/8	7/8	3/8	3/4	3/8	0.072	A4TXV01
	E(C,H,M,U)1P50C	A96DFMV090C20	13.50	11.00	34,000	24800	1200	3/4	3/8	7/8	3/8	3/4	3/8	0.072	A4TXV01
	E(C,H,M,U)1P50C	A96DFMV110C20	13.50	11.00	34,000	24800	1200	3/4	3/8	7/8	3/8	3/4	3/8	0.072	A4TXV01
	E(C,H,M,U)1P50C	A96UHMV090C12	13.50	11.00	34,000	24800	1200	3/4	3/8	7/8	3/8	3/4	3/8	0.072	A4TXV01
	E(C,H,M,U)1P50C	A96UHMV090C16	13.50	11.00	34,000	24800	1200	3/4	3/8	7/8	3/8	3/4	3/8	0.072	A4TXV01
	E(C,H,M,U)1P50C	A96UHMV090C20	13.50	11.00	34,000	24800	1200	3/4	3/8	7/8	3/8	3/4	3/8	0.072	A4TXV01
	E(C,H,M,U)1P50C	A96UHMV110C20	13.50	11.00	34,000	24800	1200	3/4	3/8	7/8	3/8	3/4	3/8	0.072	A4TXV01
	E(C,H,M,U)1P50C	LUF80*112/125V20	13.50	11.00	34,000	24800	1200	3/4	3/8	7/8	3/8	3/4	3/8	0.072	A4TXV01

Note:

¹ Certified in accordance with Unitary Air Conditioner Certification Program, which is based on AHRI Standard 210/240

² Required to achieve AHRI rating. If NA (Not Applicable) is in the piston column, then TXV is required.

³ A blower time delay relay is required to achieve AHRI rating. This feature is standard on all Allied Air Enterprises furnace and AH products.

* = B or L B = Wire Guard
L = Louvered

Cooling Performance with Air Handlers and Furnaces 42

Outdoor Model	Indoor Model	Variable Speed Furnace	SEER	EER	Rated ARI Capacity ¹ BTUH	Rated Sensible Capacity BTUH	CFM	Refrigerant Connection				Refrigerant Line Size		Indoor Expansion Device		
	Evaporator Coil or Air Handler ³							Outdoor		Indoor		Suction	Liquid	Piston ²	TXV	
								Suction	Liquid	Suction	Liquid					
4AC13L 42P-5	BCS2M42C****P		13.0	11.0	40,000	29,200	1400	7/8	3/8	7/8	3/8	7/8	3/8	0.076	A4TXV02	
	BCS2M42V****P		13.5	11.5	40,000	29,200	1400	7/8	3/8	7/8	3/8	7/8	3/8	0.076	A4TXV02	
	BCS2M48C****P		13.0	11.0	40,000	29,200	1400	7/8	3/8	7/8	3/8	7/8	3/8	0.076	A4TXV02	
	BCS2M48V****P		13.5	11.5	40,000	29,200	1400	7/8	3/8	7/8	3/8	7/8	3/8	0.076	A4TXV02	
	E(C,H,M,U)1P43B	A80DF1E090B16		13.5	11.5	40,000	29,200	1400	7/8	3/8	7/8	3/8	7/8	3/8	0.076	A4TXV02
	E(C,H,M,U)1P43C	A80DF1E110C20		13.5	11.5	40,000	29,200	1400	7/8	3/8	7/8	3/8	7/8	3/8	0.076	A4TXV02
	E(C,H,U)1P49C	A80DF1E110C20		13.5	11.0	40,000	29,200	1400	7/8	3/8	7/8	3/8	7/8	3/8	0.076	A4TXV02
	E(C,M,U)1P50C	A80DF1E110C20		13.5	11.5	40,000	29,200	1400	7/8	3/8	7/8	3/8	7/8	3/8	0.076	A4TXV02
	E(C,H,M,U)1P43B	A80UH1E090B16*		13.5	11.5	40,000	29,200	1400	7/8	3/8	7/8	3/8	7/8	3/8	0.076	A4TXV02
	E(C,H,M,U)1P43C	A80UH1E090C20*		13.5	11.5	40,000	29,200	1400	7/8	3/8	7/8	3/8	7/8	3/8	0.076	A4TXV02
	E(C,H,U)1P49C	A80UH1E090C20*		13.5	11.0	40,000	29,200	1400	7/8	3/8	7/8	3/8	7/8	3/8	0.076	A4TXV02
	E(C,M,U)1P50C	A80UH1E090C20*		13.5	11.5	40,000	29,200	1400	7/8	3/8	7/8	3/8	7/8	3/8	0.076	A4TXV02
	E(C,H,M,U)1P43C	A80UH1E110C20*		13.5	11.5	40,000	29,200	1400	7/8	3/8	7/8	3/8	7/8	3/8	0.076	A4TXV02
	E(C,H,U)1P49C	A80UH1E110C20*		13.5	11.0	40,000	29,200	1400	7/8	3/8	7/8	3/8	7/8	3/8	0.076	A4TXV02
	E(C,M,U)1P50C	A80UH1E110C20*		13.5	11.5	40,000	29,200	1400	7/8	3/8	7/8	3/8	7/8	3/8	0.076	A4TXV02
	E(C,H,U)1P49C	A80UH2V110C20		13.5	11.0	40,000	29,200	1400	7/8	3/8	7/8	3/8	7/8	3/8	0.076	A4TXV02
	E(C,M,U)1P50C	A80UH2V110C20		13.5	11.5	40,000	29,200	1400	7/8	3/8	7/8	3/8	7/8	3/8	0.076	A4TXV02
	E(C,H,M,U)1P43B	A95DF1E070B16S		13.5	11.5	40,000	29,200	1400	7/8	3/8	7/8	3/8	7/8	3/8	0.076	A4TXV02
	E(C,H,M,U)1P43C	A95DF1E090C16S		13.5	11.5	40,000	29,200	1400	7/8	3/8	7/8	3/8	7/8	3/8	0.076	A4TXV02
	E(C,H,U)1P49C	A95DF1E090C16S		13.5	11.0	40,000	29,200	1400	7/8	3/8	7/8	3/8	7/8	3/8	0.076	A4TXV02
	E(C,M,U)1P50C	A95DF1E090C16S		13.5	11.5	40,000	29,200	1400	7/8	3/8	7/8	3/8	7/8	3/8	0.076	A4TXV02
	E(C,H,M,U)1P43C	A95DF1E110C20S		13.5	11.5	40,000	29,200	1400	7/8	3/8	7/8	3/8	7/8	3/8	0.076	A4TXV02
	E(C,H,U)1P49C	A95DF1E110C20S		13.5	11.0	40,000	29,200	1400	7/8	3/8	7/8	3/8	7/8	3/8	0.076	A4TXV02
	E(C,M,U)1P50C	A95DF1E110C20S		13.5	11.5	40,000	29,200	1400	7/8	3/8	7/8	3/8	7/8	3/8	0.076	A4TXV02
	E(C,H,M,U)1P43C	A95DF2V090C20S		13.5	11.5	40,000	29,200	1400	7/8	3/8	7/8	3/8	7/8	3/8	0.076	A4TXV02
	E(C,H,U)1P49C	A95DF2V090C20S		13.5	11.0	40,000	29,200	1400	7/8	3/8	7/8	3/8	7/8	3/8	0.076	A4TXV02
	E(C,M,U)1P50C	A95DF2V090C20S		13.5	11.5	40,000	29,200	1400	7/8	3/8	7/8	3/8	7/8	3/8	0.076	A4TXV02
	E(C,H,M,U)1P43C	A95DF2V110C20S		13.5	11.5	40,000	29,200	1400	7/8	3/8	7/8	3/8	7/8	3/8	0.076	A4TXV02

Note:

¹ Certified in accordance with Unitary Air Conditioner Certification Program, which is based on AHRI Standard 210/240

* = B or L B = Wire Guard L = Louvered

² Required to achieve AHRI rating. If NA (Not Applicable) is in the piston column, then TXV is required.

³ A blower time delay relay is required to achieve AHRI rating. This feature is standard on all Allied Air Enterprises furnace and AH products.

Cooling Performance with Air Handlers and Furnaces 42, 48, 60

Outdoor Model	Indoor Model	Variable Speed Furnace	SEER	EER	Rated ARI Capacity ¹ BTUH	Rated Sensible Capacity BTUH	CFM	Refrigerant Connection				Refrigerant Line Size		Indoor Expansion Device	
	Evaporator Coil or Air Handler ³							Outdoor		Indoor		Suction	Liquid	Piston ²	TXV
								Suction	Liquid	Suction	Liquid				
4AC13L 42P-5	E(C,H,U)1P49C	A95DF1E110C20S	13.5	11.0	40,000	29,200	1400	7/8	3/8	7/8	3/8	7/8	3/8	0.076	A4TXV02
	E(C,M,U)1P50C	A95DF1E110C20S	13.5	11.5	40,000	29,200	1400	7/8	3/8	7/8	3/8	7/8	3/8	0.076	A4TXV02
	E(C,H,M,U)1P43C	A95DF2V090C20S	13.5	11.5	40,000	29,200	1400	7/8	3/8	7/8	3/8	7/8	3/8	0.076	A4TXV02
	E(C,H,U)1P49C	A95DF2V090C20S	13.5	11.0	40,000	29,200	1400	7/8	3/8	7/8	3/8	7/8	3/8	0.076	A4TXV02
	E(C,M,U)1P50C	A95DF2V090C20S	13.5	11.5	40,000	29,200	1400	7/8	3/8	7/8	3/8	7/8	3/8	0.076	A4TXV02
	E(C,H,M,U)1P43C	A95DF2V110C20S	13.5	11.5	40,000	29,200	1400	7/8	3/8	7/8	3/8	7/8	3/8	0.076	A4TXV02
	E(C,H,U)1P49C	A95DF2V110C20S	13.5	11.0	40,000	29,200	1400	7/8	3/8	7/8	3/8	7/8	3/8	0.076	A4TXV02
	E(C,M,U)1P50C	A95DF2V110C20S	13.5	11.5	40,000	29,200	1400	7/8	3/8	7/8	3/8	7/8	3/8	0.076	A4TXV02
	E(C,H,M,U)1P43C	A95UH1E090C16S	13.5	11.5	40,000	29,200	1400	7/8	3/8	7/8	3/8	7/8	3/8	0.076	A4TXV02
	E(C,H,U)1P49C	A95UH1E090C16S	13.5	11.5	40,000	29,200	1400	7/8	3/8	7/8	3/8	7/8	3/8	0.076	A4TXV02
	E(C,M,U)1P50C	A95UH1E090C16S	13.5	11.5	40,000	29,200	1400	7/8	3/8	7/8	3/8	7/8	3/8	0.076	A4TXV02
	E(C,H,M,U)1P43C	A95UH1E110C20S	13.5	11.5	40,000	29,200	1400	7/8	3/8	7/8	3/8	7/8	3/8	0.076	A4TXV02
	E(C,H,U)1P49C	A95UH1E110C20S	13.5	11.0	40,000	29,200	1400	7/8	3/8	7/8	3/8	7/8	3/8	0.076	A4TXV02
	E(C,M,U)1P50C	A95UH1E110C20S	13.5	11.5	40,000	29,200	1400	7/8	3/8	7/8	3/8	7/8	3/8	0.076	A4TXV02
	E(C,H,M,U)1P43C	A95UH2V090C20S	13.5	11.5	40,000	29,200	1400	7/8	3/8	7/8	3/8	7/8	3/8	0.076	A4TXV02
	E(C,H,U)1P49C	A95UH2V090C20S	13.5	11.0	40,000	29,200	1400	7/8	3/8	7/8	3/8	7/8	3/8	0.076	A4TXV02
	E(C,M,U)1P50C	A95UH2V090C20S	13.5	11.5	40,000	29,200	1400	7/8	3/8	7/8	3/8	7/8	3/8	0.076	A4TXV02
	E(C,H,M,U)1P43C	A95UH2V110C20S	13.5	11.5	40,000	29,200	1400	7/8	3/8	7/8	3/8	7/8	3/8	0.076	A4TXV02
E(C,H,U)1P49C	A95UH2V110C20S	13.5	11.0	40,000	29,200	1400	7/8	3/8	7/8	3/8	7/8	3/8	0.076	A4TXV02	
E(C,M,U)1P50C	A95UH2V110C20S	13.5	11.5	40,000	29,200	1400	7/8	3/8	7/8	3/8	7/8	3/8	0.076	A4TXV02	
4AC13L 48P-7	BCS2M48C****P		13.00	11.00	47,000	34300	1600	7/8	3/8	7/8	3/8	7/8	3/8	0.082	A4TXV02
	BCS2M48V****P		13.50	11.00	47,000	34300	1600	7/8	3/8	7/8	3/8	7/8	3/8	0.082	A4TXV02
4AC13L 60P-7	BCS2M60C****P		13.00	11.00	57,000	41000	1800	7/8	3/8	7/8	3/8	7/8	3/8	0.090	A4TXV02
	BCS2M60V****P		13.50	11.00	57,000	41000	1800	7/8	3/8	7/8	3/8	7/8	3/8	0.090	A4TXV02

Note:

¹ Certified in accordance with Unitary Air Conditioner Certification Program, which is based on AHRI Standard 210/240

² Required to achieve AHRI rating. If NA (Not Applicable) is in the piston column, then TXV is required.

³ A blower time delay relay is required to achieve AHRI rating. This feature is standard on all Allied Air Enterprises furnace and AH products.

* = B or L B = Wire Guard
L = Louvered

Cooling Performance — Extended Ratings

Outdoor Model	Indoor Model Piston or Field Installed TXV	Indoor Temp DB/WB °F	Outdoor Temp - DB°F														
			65			82			95			105			115		
			Btuh	S/T	kW	Btuh	S/T	kW	Btuh	S/T	kW	Btuh	S/T	kW	Btuh	S/T	kW
4AC13L18P-5	E*1P19	85/72	19,900	0.67	1.49	19,000	0.71	1.61	18,500	0.74	1.71	17,400	0.76	1.78	16,300	0.77	1.38
		80/67	18,800	0.69	1.38	18,300	0.73	1.74	18,000	0.76	1.64	16,700	0.78	2.19	15,300	0.80	1.33
		75/63	17,400	0.74	1.33	16,900	0.78	1.47	16,700	0.81	1.58	15,500	0.83	1.65	14,200	0.85	1.28
		75/57	16,400	0.83	1.30	16,100	0.88	1.44	16,000	0.91	1.55	14,900	0.93	1.61	13,600	0.95	1.25
4AC13L24P-5	E*1P24	85/72	23,200	0.65	1.66	23,100	0.70	1.90	23,100	0.74	2.08	22,300	0.76	2.20	21,400	0.77	1.90
		80/67	22,900	0.69	1.65	23,000	0.73	2.03	23,000	0.76	2.06	21,700	0.79	2.51	20,300	0.81	1.69
		75/63	22,700	0.74	1.65	22,000	0.78	1.84	21,400	0.81	1.99	20,100	0.83	2.06	18,800	0.85	1.76
		75/57	22,300	0.83	1.64	21,500	0.88	1.82	20,800	0.91	1.95	19,500	0.93	2.02	18,200	0.95	1.72
4AC13L30P-5	E*1P29	85/72	31,900	0.66	2.14	30,700	0.70	2.46	29,700	0.73	2.72	27,900	0.75	2.81	26,200	0.76	3.02
		80/67	30,100	0.68	2.12	28,900	0.72	2.03	28,000	0.75	2.61	26,300	0.77	2.51	24,700	0.78	2.91
		75/63	27,900	0.79	2.11	26,800	0.80	2.34	25,900	0.80	2.51	24,300	0.82	2.60	22,800	0.84	2.80
		75/57	27,100	0.82	2.07	26,000	0.87	2.29	25,100	0.90	2.46	23,600	0.92	2.55	22,200	0.94	2.74
4AC13L36P-7	E*1P36	85/72	42,100	0.61	2.40	39,890	0.64	2.86	38,200	0.67	3.22	35,650	0.70	3.61	33,100	0.73	3.99
		80/67	39,900	0.68	2.38	37,010	0.73	2.85	34,800	0.76	3.21	32,150	0.79	3.58	29,500	0.81	3.95
		75/63	37,900	0.71	2.36	34,727	0.75	2.82	32,300	0.78	3.17	29,600	0.82	3.53	26,900	0.86	3.88
		75/57	35,800	1.00	2.33	32,570	1.00	2.77	30,100	1.00	3.11	27,150	1.00	3.47	24,200	1.00	3.82
4AC13L42P-5	E*1P43	85/72	46,800	0.65	1.66	44,900	0.68	2.91	43,500	0.71	3.86	41,000	0.73	4.02	38,500	0.74	6.17
		80/67	44,500	0.67	1.65	42,500	0.70	2.03	41,000	0.73	3.73	39,600	0.75	2.51	38,200	0.77	6.13
		75/63	44,200	0.68	1.65	40,600	0.74	2.75	37,900	0.78	3.59	35,600	0.80	3.72	33,400	0.82	5.71
		75/57	40,800	0.71	1.64	38,600	0.80	2.70	36,800	0.87	3.51	34,600	0.89	3.64	32,400	0.91	5.60
4AC13L48P-7	E*1P49	85/72	61,100	0.63	3.56	57,870	0.65	4.50	55,400	0.66	4.57	52,000	0.69	5.03	48,600	0.71	5.48
		80/67	56,800	0.69	3.49	53,230	0.71	4.06	50,500	0.73	4.50	46,800	0.76	4.95	43,100	0.79	5.39
		75/63	53,300	0.72	3.44	49,447	0.75	4.01	46,500	0.77	4.44	42,800	0.80	4.92	39,100	0.83	5.39
		75/57	47,000	1.00	3.39	43,713	1.00	3.95	41,200	1.00	4.38	38,500	1.00	4.85	35,800	1.00	5.31
4AC13L60P-7	E*1P49	85/72	69,800	0.61	4.02	66,457	0.63	4.75	63,900	0.64	5.30	59,950	0.67	5.87	56,000	0.69	6.44
		80/67	65,400	0.68	3.96	61,490	0.70	4.72	58,500	0.71	5.30	54,600	0.74	5.83	50,700	0.77	6.36
		75/63	61,400	0.71	3.90	56,923	0.73	4.59	53,500	0.75	5.12	49,650	0.78	5.70	45,800	0.81	6.27
		75/57	45,400	1.00	3.83	46,760	1.00	4.54	47,800	1.00	5.09	45,600	1.00	5.67	43,400	1.00	6.24

Note: Extended data shown is actual for models listed and typical for all AHRI matches.

* = B or L B = Wire Guard
L = Louvered

13 SEER Split System Air Conditioner

Accessories

Description	Where Used	Catalog Number
Crankcase Heater	18, 24, 30, 36	93M04
Crankcase Heater	42, 48, 60	93M05
Hard Start Kit	18	10J42
Hard Start kit	24, 30, 36, 42, 48, 60	88M91
Compressor Low Ambient Kit	18, 24, 30, 36, 42, 48, 60	45F08
Sound Blanket	18, 24, 30, 36, 42, 48, 60	69J03
Short Cycle Protector	18, 24, 30, 36, 42, 48, 60	47J27
Freezestat	3/8" tubing	93G35
Freezestat	5/8" tubing	50A93
Time Delay Relay	18, 24, 30, 36, 42, 48, 60	58M81
Loss of Charge Kit	18, 24, 30, 36, 42, 48, 60	84M23
TXV Kit	18 - 36	A4TXV01
TXV Kit	42 - 60	A4TXV02

All specifications and illustrations
subject to change without notice
and without incurring obligations.

AIREASE[®]

Built for life. Yours.

www.airease.com
1-800-488-5872