

# A931A

## PRODUCT SPECIFICATIONS

## SINGLE STAGE GAS FURNACE

FORM NO. A931A-100 (10/2018)



### CONFIGURATIONS

- Upflow / Horizontal
- Downflow

### HEAT EXCHANGER DESIGN

- Aluminized steel tapered crimped non-welded clamshell heat exchanger design
- AL 29-4C Stainless steel secondary heat exchanger

### BURNER

- Aluminized steel inshot burners for smooth ignition

### CABINET DESIGN

- Compact 33" height
- Standardized widths for easy coil fit

### AIR DELIVERY SYSTEM

- Multi-speed PSC blower motor
- Easily removable slide out blower design

### CONTROLS

- Single stage gas valve
- Durable silicon nitride ignitor
- Self diagnostics saving last 5 fault codes regardless of power interruption
- Control features electronic air cleaner and humidifier terminals

### VENTING

- Certified for direct vent and indirect vent (1 and 2 pipe applications)

### INSTALLATION FEATURES

- Left or right utility connections
- Removable floor base (upflow / horizontal units) for bottom return air
- Zero step horizontal conversion

### WARRANTY

10 year limited parts warranty / lifetime heat exchanger warranty available. See limited warranty document for details.

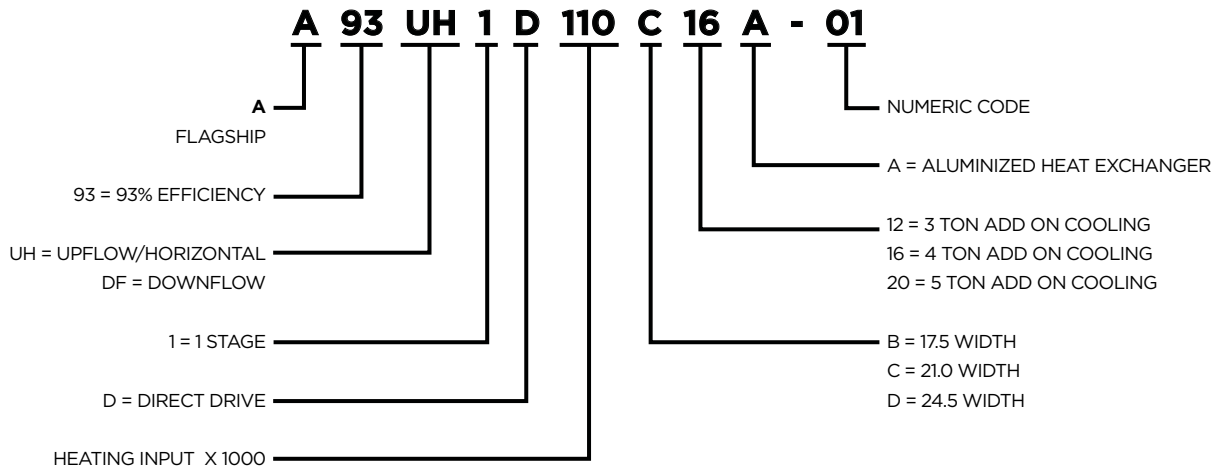
#### *California Only*

*If installed in South Coast Air Quality Management District (SCAQMD) only: This furnace does not meet the SCAQMD Rule 1111 NOx emission limit (14 ng/J), and thus is subject to a mitigation fee of up to \$450. This furnace is not eligible for the Clean Air Furnace Rebate Program: [www.CleanAirFurnaceRebate.com](http://www.CleanAirFurnaceRebate.com).*

*If installed in San Joaquin Valley Air Pollution Control District (SJVAPCD) only: This furnace does not meet the SJVAPCD Rule 4905 NOx emission limit (14 ng/J), and thus is subject to a mitigation fee of up to \$450.*



**MODEL NUMBER GUIDE**



**PHYSICAL AND ELECTRICAL DATA**

	Model	Input (Btuh)	Output* (Btuh)	AFUE (ICS)	Nominal Cooling Capacity	Gas Inlet (in.)	Volts/ Hz/ Phase	Max. Time Delay Breaker or Fuse	Nominal F.L.A.	Trans. (V.A.)	Approx. Shipping Weight (lbs.)
<b>UPFLOW/HORIZONTAL</b>	A93UH1D045B08A	44,000	41,000	93.0%	1.5 - 2	1/2	120 - 60 - 1	15	3.1	40	120
	A93UH1D045B12A	44,000	42,000	93.0%	2.5 - 3	1/2	120 - 60 - 1	15	6.1	40	122
	A93UH1D070B08A	66,000	62,000	93.0%	1.5 - 2	1/2	120 - 60 - 1	15	3.1	40	125
	A93UH1D070B12A	66,000	61,000	93.0%	2.5 - 3	1/2	120 - 60 - 1	15	6.1	40	127
	A93UH1D090C12A	88,000	83,000	93.0%	2 - 3	1/2	120 - 60 - 1	15	6.1	40	143
	A93UH1D090C16A	88,000	83,000	93.0%	3 - 4	1/2	120 - 60 - 1	15	8.2	40	146
	A93UH1D110C16A	110,000	104,000	93.0%	3 - 4	1/2	120 - 60 - 1	15	8.2	40	155
	A93UH1D110C20A	110,000	104,000	93.0%	4 - 5	1/2	120 - 60 - 1	15	10.0	40	161
	A93UH1D135D20A	132,000	124,000	93.0%	4 - 5	1/2	120 - 60 - 1	15	10.0	40	178
<b>DOWNFLOW</b>	A93DF1D045B12A	44,000	42,000	93.0%	2.5 - 3	1/2	120 - 60 - 1	15	6.1	40	124
	A93DF1D070B12A	66,000	62,000	93.0%	2.5 - 3	1/2	120 - 60 - 1	15	6.1	40	129
	A93DF1D090C16A	88,000	84,000	93.0%	3 - 4	1/2	120 - 60 - 1	15	8.2	40	143
	A93DF1D110C20A	110,000	104,000	93.0%	4 - 5	1/2	120 - 60 - 1	15	11.5	40	162

*Note: For vent length and clearances to combustibles, please reference installation instructions.*

**BLOWER PERFORMANCE DATA**

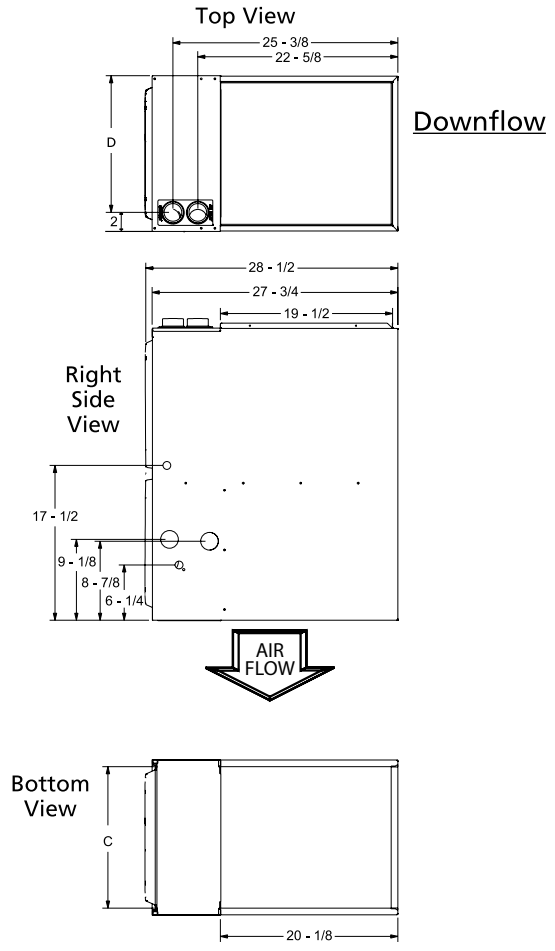
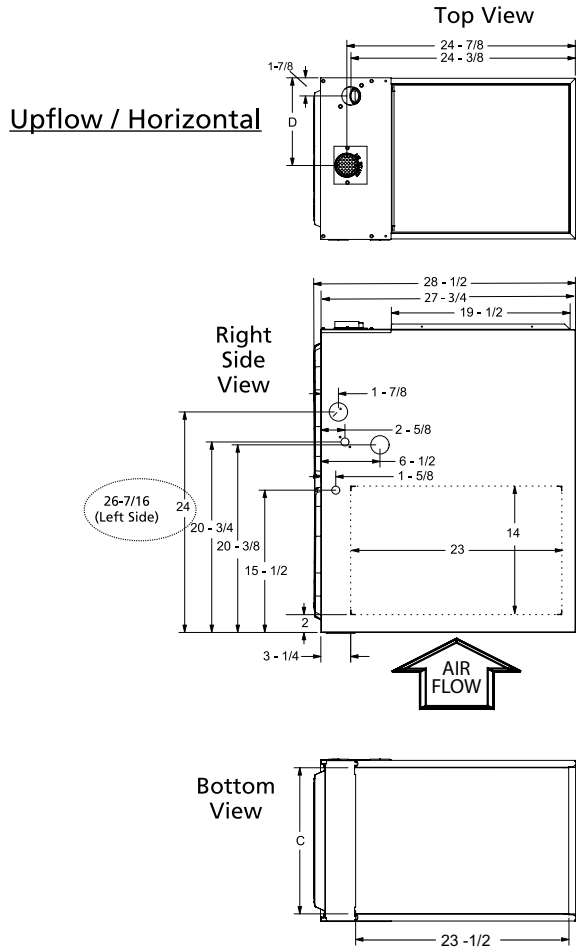
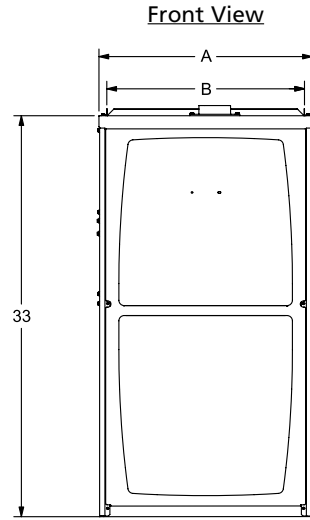
UPFLOW / HORIZONTAL	Model	Motor Size (hp)	Blower Size	Temp. Rise (°F)	Blower Speed	Heating CFM @ .10" - .80" w.c.							
						.20	.30	.40	.50	.60	.70	.80	.90
						A93UHID045B08A	1/5	10 x 8	35 - 65	Hi	1125	1090	1065
				Med/Hi	895	870	865	825	780	740	670	575	
				Med	755	725	715	675	640	585	510	460	
				Low	680	660	635	605	555	505	455	390	
A93UHID045B12A	1/3	10 x 8	25 - 55	Hi	1550	1480	1425	1355	1320	1225	1135	1025	
				Med/Hi	1330	1295	1280	1190	1165	1110	1050	950	
				Med	1150	1140	1105	1085	1030	975	920	800	
				Low	1000	975	970	940	900	855	780	700	
A93UHID070B08A	1/5	10 x 8	50 - 80	Hi	1125	1090	1065	1020	945	910	790	735	
				Med/Hi	895	870	865	825	780	740	670	575	
				Med	755	725	715	675	640	585	510	460	
				Low	680	660	635	605	555	505	455	390	
A93UHID070B12A	1/3	10 x 8	40 - 70	Hi	1535	1440	1405	1340	1255	1165	1060	955	
				Med/Hi	1340	1300	1255	1200	1125	1080	990	895	
				Med	1150	1110	1075	1045	995	935	870	750	
				Low	1025	1000	975	945	875	820	750	660	
A93UHID090C12A	1/3	10 x 8	50 - 80	Hi	1565	1525	1485	1431	1365	1295	1200	1060	
				Med/Hi	1335	1300	1295	1260	1210	1155	1065	955	
				Med	1145	1135	1110	1090	1035	995	930	820	
				Low	970	965	960	940	900	860	745	695	
A93UHID090C16A	1/2	10 x 10	40 - 70	Hi	1925	1850	1790	1700	1610	1540	1415	1270	
				Med/Hi	1675	1640	1575	1540	1455	1365	1265	1165	
				Med	1405	1400	1395	1350	1295	1225	1125	1060	
				Low	1205	1175	1170	1140	1100	1030	980	900	
A93UHID110C16A	1/2	10 x 10	50 - 80	Hi	1935	1885	1830	1750	1660	1540	1420	1290	
				Med/Hi	1675	1660	1585	1565	1485	1380	1290	1175	
				Med	1455	1410	1385	1320	1280	1230	1140	1045	
				Low	1230	1200	1190	1165	1105	1060	945	850	
A93UHID110C20A	3/4	11 1/2 X 10	40 - 70	Hi	2370	2270	2185	2115	2020	1910	1815	1680	
				Med/Hi	2180	2120	1995	1955	1865	1765	1675	1575	
				Med	1950	1885	1835	1760	1721	1630	1555	1440	
				Low	1670	1635	1605	1545	1485	1425	1330	1275	
A93UHID135D20A	3/4	11 1/2 X 10	45 - 75	Hi	2350	2260	2135	2095	1980	1885	1810	1690	
				Med/Hi	2170	2100	2050	1950	1875	1820	1690	1620	
				Med	1945	1915	1825	1805	1720	1680	1580	1505	
				Low	1710	1675	1655	1575	1540	1480	1405	1360	

**BLOWER PERFORMANCE DATA**

DOWNFLOW	Model	Motor Size (hp)	Blower Size	Temp. Rise (°F)	Blower Speed	Heating CFM @ .10" - .80" w.c.							
						.20	.30	.40	.50	.60	.70	.80	.90
						A93DFID045B1ZA	1/3	10 x 8	25 - 55	Hi	1500	1450	1350
				Med/Hi	1340	1290	1235	1170	1095	1020	920	800	
				Med	1165	1125	1090	1035	990	895	840	700	
				Low	1015	975	920	875	840	780	695	605	
A93DFID070B1ZA	1/3	10 x 8	50 - 80	Hi	1405	1355	1305	1270	1175	1105	1040	920	
				Med/Hi	1255	1225	1165	1110	1080	1000	925	825	
				Med	1055	1045	1010	975	925	855	790	680	
				Low	930	900	890	835	815	745	670	560	
A93DFID090C16A	1/2	10 x 10	40 - 70	Hi	2065	2010	1930	1845	1745	1620	1450	1320	
				Med/Hi	1815	1760	1705	1645	1525	1460	1340	1130	
				Med	1525	1510	1495	1450	1380	1315	1220	1010	
				Low	1285	1275	1235	1215	1185	1110	1020	920	
A93DFID110C20A	1	11½X 10	50 - 80	Hi	2285	2220	2185	2045	1965	1820	1625	1455	
				Med/Hi	2120	2015	1950	1830	1710	1610	1510	1390	
				Med	1850	1770	1750	1680	1575	1495	1400	1350	
				Low	1540	1535	1530	1500	1445	1370	1315	1210	

**DIMENSIONS**

	Model	A	B	C	D
<b>UPFLOW/HORIZONTAL</b>	A93UH1D045B08A	17-1/2	16-3/8	16	7-5/8
	A93UH1D045B12A	17-1/2	16-3/8	16	7-5/8
	A93UH1D070B08A	17-1/2	16-3/8	16	7-5/8
	A93UH1D070B12A	17-1/2	16-3/8	16	7-5/8
	A93UH1D090C12A	21	19-7/8	19-1/2	9-3/8
	A93UH1D090C16A	21	19-7/8	19-1/2	9-3/8
	A93UH1D110C16A	21	19-7/8	19-1/2	9-3/8
	A93UH1D110C20A	21	19-7/8	19-1/2	9-3/8
	A93UH1D135D20A	24-1/2	23-3/8	23	11-1/8
<b>DOWNFLOW</b>	A93DF1D045B12A	17-1/2	16-3/8	16	15-1/2
	A93DF1D070B12A	17-1/2	16-3/8	16	15-1/2
	A93DF1D090C16A	21	19-7/8	19-1/2	19
	A93DF1D110C20A	21	19-7/8	19-1/2	19



**ACCESSORY LIST**

CATALOG NUMBER	DESCRIPTION
External Filter Rack kits	
1.841018	1 pack (16 x 25)
1.841039	10 pack (16 x 25)
Natural to LP kits	
11K50	1-Stage - 90
11K45	High Altitude (>7500')
Return Air Base	
68W62	17.5" B Width
68W63	21.0" C Width
68W64	24.5" D Width
Downflow Combustible Flooring Base	
11M60	17.5" B Width
11M61	21.0" C Width
Night Service Kits	
68W80	Single Stage
Horizontal Suspension Kit	
51W10	80% & 90% Kit
Flush Mount Termination (90% Furnaces only) US Only	
51W11	2" & 3" Vent Version
Concentric Vent Kit (90% Furnaces only) US Only	
71M80	1-1/2" Vent Version
69M29	2" Vent Version
60L46	3" Vent Version

*Note: For vent length and clearances to combustibles, please reference installation instructions.*



1-800-448-5872

All specifications and illustrations subject to change without notice and without incurring obligations.