

4SHP14LB

PRODUCT SPECIFICATIONS

SPLIT HEAT PUMP SYSTEM
UP TO 15 SEER & 9.0 HSPF

FORM NO. 4SHP14LB-100 (09/2019)



COMPRESSOR

- High-efficiency scroll compressor
- R410A refrigerant
- Grommet mounted compressor for quiet operation
- Heavy-duty compressor sound blanket for quiet operation (optional accessory)
- Internally protected against high temperature motor overload conditions

CABINET

- Full metal louvered panel with 2 screws to remove for ease of coil cleaning and service
- Corner-mounted controls for easy service
- Rounded corners for safety and attractive, clean appearance
- Baked polyester paint finished over galvanized steel for maximum durability
- Removable PVC coated wire fan discharge grill
- 45-degree offset gauge ports for easy service
- Removable service panel for internal access

COILS

- Omniguard™ total corrosion protection technology designed coil.
- Enhanced tube-and-fin coil design featuring MHT™ Technology
- Lanced fins for maximum heat transfer
- Factory tested for leakproof construction
- Raised coil prevents debris from impeding airflow

DESIGN

- Designed to perform in temperatures up to 125°F
- Designed to perform in temperatures down to 0°F

COMPONENTS

- Factory installed crankcase heater (on select models)
- Factory installed high and low pressure switches
- Thread-on pressure switches with Schrader core for simple, quick replacement
- Filter drier shipped loose for installation flexibility
- Fan orifice for smoother airflow and sound level reduction
- Charged for 15 feet of line set
- Discharge muffler for quiet operation
- Quiet Shift™ capable to reduce noise during defrost

WARRANTY

- 10 year limited warranty on compressor
- 5 year limited warranty on all parts

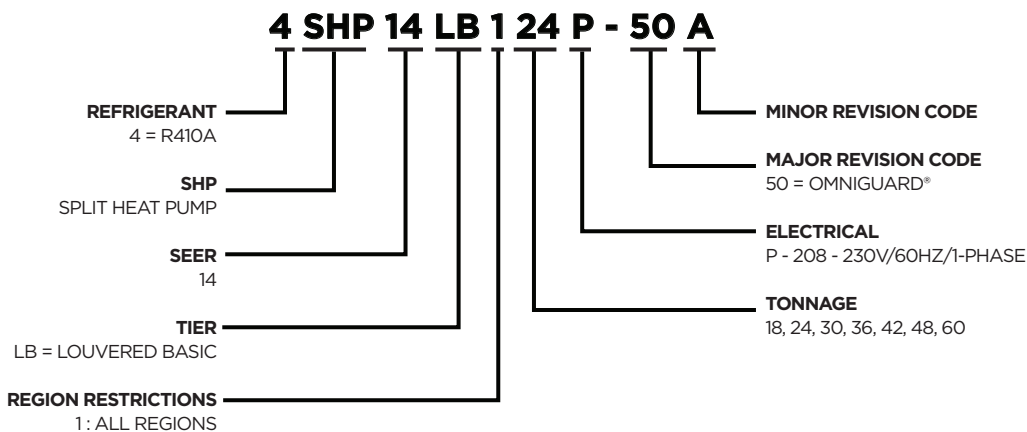
**Warranty provides for a total of 10 years of limited warranty coverage (Standard 5-year limited parts warranty plus an additional 5-year limited extended parts warranty). Warranty must be registered online within 60 days of installation to qualify for 10-year coverage. Unregistered equipment defaults to 5-year coverage. See full warranty at www.alliedair.com for terms, conditions, and exclusions.*

NOTE:

For the latest AHRI system matches, please visit www.alliedratings.com or www.AHRIdirectory.org



MODEL NUMBER GUIDE



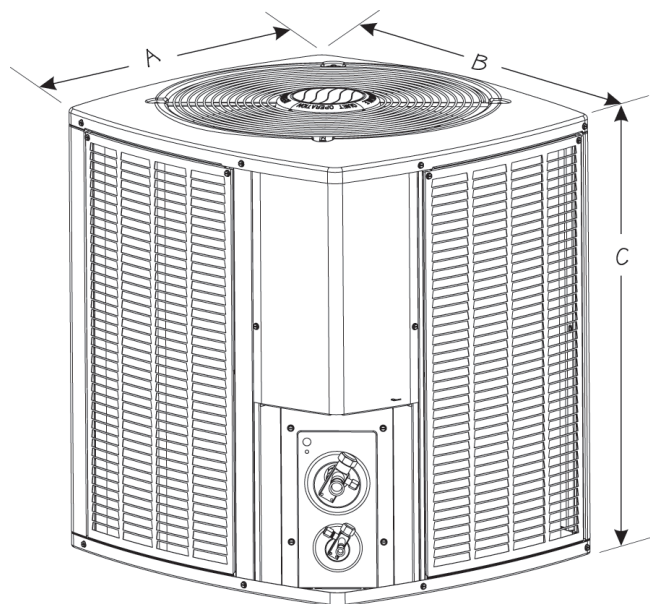
PHYSICAL AND ELECTRICAL DATA

Model	Voltage/Hz/Phase	Voltage Range	Min. Circuit Amp.	Max. Over Current Device (amps)	Compressor		Outdoor Fan Motor		
					Rated Load (amps)	Locked Rotor (amps)	Full Load (amps)	Rated HP	Nom. RPM
4SHP14LB118P-50	208-230/60/1	197-253	12.3	20	9.0	48	1.1	1/6	825
4SHP14LB124P-50	208-230/60/1	197-253	17.9	30	13.4	58	1.1	1/6	825
4SHP14LB130P-50	208-230/60/1	197-253	17.1	25	12.8	64	1.1	1/6	825
4SHP14LB136P-50	208-230/60/1	197-253	18.7	30	14.1	77	1.1	1/6	825
4SHP14LB142P-50	208-230/60/1	197-253	24.2	40	17.9	112	1.8	1/3	825
4SHP14LB148P-50	208-230/60/1	197-253	29.0	50	21.8	117	1.8	1/3	825
4SHP14LB160P-50	208-230/60/1	197-253	29.4	50	22.1	125	1.8	1/3	825

UNIT DIMENSIONS (IN.)

Model	Dimensions (inch)			Shipping Weight (lbs.)
	A - Width	B - Depth	C - Height	
4SHP14LB118P-50	29.25	31.25	43.75	202
4SHP14LB124P-50	29.25	31.25	43.75	203
4SHP14LB130P-50	29.25	31.25	43.75	200
4SHP14LB136P-50	29.25	31.25	37.75	219
4SHP14LB142P-50	35.75	37.75	37.75	285
4SHP14LB148P-50	35.75	37.75	37.75	287
4SHP14LB160P-50	35.75	37.75	43.75	331

*Note: Dimensions listed are unit sizes w/o packaging
Weights listed are unit weights with packaging*



SOUND RATINGS

Model	Sound Power ¹	Estimated Sound Pressure (dBA) ²		
		Approximate Distance ³		
		3.3 Feet (1 Meter)	6.6 Feet (2 Meters)	9.8 Feet (3 Meters)
4SHP14LB118P-50	76	68	62	58
4SHP14LB124P-50	76	68	62	58
4SHP14LB130P-50	74	66	60	56
4SHP14LB136P-50	78	70	64	60
4SHP14LB142P-50	80	72	66	62
4SHP14LB148P-50	80	72	66	62
4SHP14LB160P-50	78	70	64	60

1 Rated in accordance with AHRI standard 270 (2015). AHRI Standard 270 establishes a method of rating outdoor unitary equipment in terms of Sound Power.

2 Rated in accordance with AHRI standard 275 (2010). AHRI Standard 275 provides the calculations for estimating the A-Weighted Sound Pressure at a given distance from the equipment. That is a more useful number because that is what humans will hear.

3 Based only on distance factor; other factors may change this value such as:

- Unit location (reflective surfaces adjacent to the unit)
- Barrier shielding sources
- Sound path/elevation
- Outside noise sources

ACCESSORIES

System Accessory	Where Used	Kit Number	Purpose
Liquid Line solenoid	All models	60M52	Prevents liquid migration to the compressor especially for high liquid riser applications
Low ambient HP units (cooling operation)	All models	54M89	Enables cooling demand down to 30 °F. Will require freeze stat, CC heater and TXV.
Mild ambient (heating operation)	All models	11B97	Enables heating demand above 60 °F ambient
Cold weather	All models	1.921145	To allow unit to operate at very low ambient conditions (older models). Board integrated feature on new models
Fossil Fuel Kit (Heat Pump Only)	All models	1.841185	Required for furnace with heat pump installations
Hard Start	24 & 36	10J42	Scroll compressors usually do not require hard start; maybe needed for utility brown-out or low voltage areas
Hard Start	48 & 60	81J69	
Crankcase Heater	18, 24, 30	93M04	Prevents liquid migration to compressor in cold weather
Crankcase Heater	36, 42, 48, 60	Factory Installed	
Sound Cover	18, 24, 30, 36	14W00	Lowers compressor sound level
Sound Cover	42, 48, 60	14W01	
Loss of Charge Kit	Factory Installed		Protects the compressor if refrigerant charge is too low
Additional System Accessories (indoor section)			
TXV Kit	18, 24, 30	H4TXV01	TXVs provide superior refrigerant flow control, comfort and efficiency compared to pistons
	36, 42, 48	H4TXV02	
	60	H4TXV03	
Outdoor Thermostat - electric heat	All models	10Z23	Prevents electric heat operation above specific ambient conditions
Outdoor Thermostat - mounting box	All models	31461	Mounting box for outdoor thermostat
Freeze stat	All models	93G35	Protects the compressor at low suction pressure conditions
Over flow switch	All models	11U75	Turn the system off, if condensate water overflows due to clogged drain pipes

REFRIGERATION DATA

Model	Factory Refrig. Charge (Oz.)*	TXV	Refrigerant Line Size		Outdoor Unit Connection		Indoor Unit Connection	
			Suction	Liquid	Suction	Liquid	Suction	Liquid
4SHP14LB118P-50	112	H4TXV01	3/4	3/8	3/4	3/8	3/4	3/8
4SHP14LB124P-50	115	H4TXV01	3/4	3/8	3/4	3/8	3/4	3/8
4SHP14LB130P-50	115	H4TXV01	3/4	3/8	3/4	3/8	3/4	3/8
4SHP14LB136P-50	161	H4TXV02	7/8	3/8	7/8	3/8	3/4	3/8
4SHP14LB142P-50	171	H4TXV02	7/8	3/8	7/8	3/8	7/8	3/8
4SHP14LB148P-50	171	H4TXV02	7/8	3/8	7/8	3/8	7/8	3/8
4SHP14LB160P-50	193	H4TXV03	1 1/8	3/8	7/8	3/8	7/8	3/8

* Factory charged for 15 feet of line set; adjust per installation instructions.
 Refrigerant charge also varies with indoor unit; Refer refrigerant charge label

COOLING PERFORMANCE WITH DTC¹

Outdoor Model	Indoor Model Evap. Coil or Air Handler ³	Cooling				Heating				
		SEER	EER	AHRI Rated Capacity ²	Sensible Capacity	HSPF	47°		17°	
							Btuh	COP	Btuh	COP
4SHP14LB118P-50	BCE5C18MA4X	14.00	12.00	18000	14200	8.20	17600	3.5	10800	2.3
4SHP14LB124P-50	BCE5C24MA4X	14.00	12.00	23800	19000	8.20	22200	3.6	14300	2.4
4SHP14LB130P-50	BCE5C30MA4X	14.00	11.50	29600	23200	8.20	27000	3.5	17500	2.4
4SHP14LB136P-50	BCE5C36MA4X	14.00	12.00	33400	25800	8.20	31200	3.4	20000	2.4
4SHP14LB142P-50	BCE5C42MA4X	14.00	12.00	40500	29500	8.20	39500	3.2	26200	2.4
4SHP14LB148P-50	BCE5C48MA4X	14.00	11.50	47500	36000	8.20	46000	3.3	29000	2.4
4SHP14LB160P-50	BCE5C60MA4X	14.00	12.00	56500	41500	8.20	54500	3.5	35400	2.6

Note:
 1 DTC = Designated Tested Combination
 2 Certified in accordance with Unitary Air Conditioner Certification Program, which is based on AHRI Standard 210/240
 3 A blower time delay relay is standard on all Allied Air Enterprises furnace and AH products.

NOTE:

For the latest AHRI system matches, please visit www.alliedratings.com or www.AHRIdirectory.org

COOLING PERFORMANCE EXTENDED RATINGS

Note: Shaded area is AHRI Rating Conditions

Indoor Wet Bulb Temperature		Outdoor Air Temperature Entering Outdoor Coil																																			
		85° F (29.4° C)						95° F (35° C)						105° F (40.6° C)						115° F (46.1° C)						125° F (51.7° C)											
		Total Cooling Capacity			Sensible To Total Ratio (S/T)			Comp. Motor Watts			Total Cooling Capacity			Sensible To Total Ratio (S/T)			Comp. Motor Watts			Total Cooling Capacity			Sensible To Total Ratio (S/T)			Comp. Motor Watts			Total Cooling Capacity			Sensible To Total Ratio (S/T)			Comp. Motor Watts		
		kBTuh	80°F 26.7°C	85°F 29.4°C	75°F 23.9°C	80°F 26.7°C	85°F 29.4°C	75°F 23.9°C	80°F 26.7°C	85°F 29.4°C	kBTuh	80°F 26.7°C	85°F 29.4°C	75°F 23.9°C	80°F 26.7°C	85°F 29.4°C	75°F 23.9°C	80°F 26.7°C	85°F 29.4°C	kBTuh	80°F 26.7°C	85°F 29.4°C	75°F 23.9°C	80°F 26.7°C	85°F 29.4°C	kBTuh	80°F 26.7°C	85°F 29.4°C	75°F 23.9°C	80°F 26.7°C	85°F 29.4°C	kBTuh	80°F 26.7°C	85°F 29.4°C	75°F 23.9°C	80°F 26.7°C	85°F 29.4°C
59°F (15°C)		4SHPI4LB130P-50 - BCE5C30M*4X																																			
		845	1680	.93	1.00	1.00	1.00	.95	1.00	1.00	258	2160	.98	1.00	1.00	242	2440	1.00	1.00	1.00	24.2	2440	1.00	1.00	1.00	22.6	2790	1.00	1.00	1.00	22.6	2790	1.00	1.00	1.00		
63°F (17.2°C)		1025	1690	.99	1.00	1.00	1.00	1.00	1.00	274	2170	1.00	1.00	1.00	256	2460	1.00	1.00	1.00	25.6	2460	1.00	1.00	1.00	23.8	2790	1.00	1.00	1.00	23.8	2790	1.00	1.00	1.00			
		1150	1700	1.00	1.00	1.00	1.00	1.00	1.00	298	2170	1.00	1.00	1.00	264	2460	1.00	1.00	1.00	26.4	2460	1.00	1.00	1.00	24.6	2800	1.00	1.00	1.00	24.6	2800	1.00	1.00	1.00			
67°F (19.4°C)		845	1680	.75	.89	1.00	1.00	.76	.92	1.00	262	2160	.79	.95	1.00	24.4	2440	.82	.98	1.00	24.4	2440	.82	.98	1.00	22.6	2790	.85	1.00	1.00	22.6	2790	.85	1.00	1.00		
		1025	1690	.80	.95	1.00	1.00	.82	.98	1.00	274	2160	.84	1.00	1.00	25.6	2460	.88	1.00	1.00	25.6	2460	.88	1.00	1.00	23.8	2800	.92	1.00	1.00	23.8	2800	.92	1.00	1.00		
71°F (21.7°C)		1150	1700	.83	.99	1.00	1.00	.85	1.00	298	2170	.88	1.00	1.00	26.4	2460	.92	1.00	1.00	26.4	2460	.92	1.00	1.00	24.6	2800	.96	1.00	1.00	24.6	2800	.96	1.00	1.00			
		845	1690	.59	.73	.86	1.00	.60	.74	.88	278	2170	.62	.76	.91	26.0	2460	.63	.79	.95	26.0	2460	.63	.79	.95	23.8	2800	.65	.83	.99	23.8	2800	.65	.83	.99		
75°F (23.9°C)		1025	1700	.62	.77	.92	1.00	.63	.80	.95	290	2180	.65	.82	.98	27.0	2460	.67	.85	1.00	27.0	2460	.67	.85	1.00	24.6	2800	.69	.89	1.00	24.6	2800	.69	.89	1.00		
		1150	1710	.64	.80	.96	1.00	.65	.83	.99	296	2180	.67	.85	1.00	27.4	2470	.69	.89	1.00	27.4	2470	.69	.89	1.00	25.2	2810	.72	.94	1.00	25.2	2810	.72	.94	1.00		
79°F (26.1°C)		845	1700	.45	.58	.70	1.00	.45	.58	.72	296	2180	.46	.60	.74	27.4	2470	.46	.62	.77	27.4	2470	.46	.62	.77	25.4	2810	.47	.64	.80	25.4	2810	.47	.64	.80		
		1025	1710	.46	.61	.75	1.00	.47	.62	.77	306	2190	.47	.63	.79	28.6	2480	.48	.65	.83	28.6	2480	.48	.65	.83	26.2	2810	.49	.68	.87	26.2	2810	.49	.68	.87		
83°F (28.3°C)		1150	1720	.47	.62	.78	1.00	.47	.64	.80	312	2190	.48	.66	.83	29.0	2480	.49	.68	.87	29.0	2480	.49	.68	.87	26.8	2820	.50	.71	.91	26.8	2820	.50	.71	.91		
		4SHPI4LB136P-50 - BCE5C36M*4X																																			
59°F (15°C)		1050	326	1910	.93	1.00	1.00	.95	1.00	298	2450	.99	1.00	1.00	282	2760	1.00	1.00	1.00	282	2760	1.00	1.00	1.00	26.4	3130	1.00	1.00	1.00	26.4	3130	1.00	1.00	1.00			
		1200	340	1910	.98	1.00	1.00	1.00	1.00	310	2450	1.00	1.00	1.00	294	2770	1.00	1.00	1.00	294	2770	1.00	1.00	1.00	27.4	3140	1.00	1.00	1.00	27.4	3140	1.00	1.00	1.00			
63°F (17.2°C)		1350	352	1910	1.00	1.00	1.00	1.00	320	2450	1.00	1.00	1.00	302	2770	1.00	1.00	1.00	302	2770	1.00	1.00	1.00	28.2	3140	1.00	1.00	1.00	28.2	3140	1.00	1.00	1.00				
		1050	336	1910	.71	.88	1.00	1.00	.73	.91	302	2450	.75	.95	1.00	282	2770	.78	.99	1.00	282	2770	.78	.99	1.00	26.2	3130	.82	1.00	1.00	26.2	3130	.82	1.00	1.00		
67°F (19.4°C)		1200	346	1910	.74	.94	1.00	1.00	.77	.97	310	2450	.79	1.00	1.00	292	2770	.83	1.00	1.00	292	2770	.83	1.00	1.00	27.2	3140	.88	1.00	1.00	27.2	3140	.88	1.00	1.00		
		1350	352	1910	.78	.99	1.00	1.00	.80	1.00	320	2450	.84	1.00	1.00	302	2770	.88	1.00	1.00	302	2770	.88	1.00	1.00	28.2	3140	.93	1.00	1.00	28.2	3140	.93	1.00	1.00		
71°F (21.7°C)		1050	354	1910	.56	.69	.84	1.00	.57	.70	320	2450	.58	.72	.90	300	2770	.59	.75	.95	300	2770	.59	.75	.95	27.6	3140	.61	.79	1.00	27.6	3140	.61	.79	1.00		
		1200	364	1910	.58	.72	.89	1.00	.59	.74	328	2450	.60	.76	.96	306	2770	.62	.80	1.00	306	2770	.62	.80	1.00	28.2	3140	.64	.85	1.00	28.2	3140	.64	.85	1.00		
75°F (23.9°C)		1350	372	1910	.60	.75	.95	1.00	.61	.78	334	2460	.62	.81	1.00	312	2770	.64	.85	1.00	312	2770	.64	.85	1.00	28.8	3140	.66	.90	1.00	28.8	3140	.66	.90	1.00		
		1050	374	1910	.42	.54	.66	1.00	.42	.56	338	2450	.43	.57	.70	318	2770	.44	.58	.72	318	2770	.44	.58	.72	29.4	3140	.44	.60	.76	29.4	3140	.44	.60	.76		
79°F (26.1°C)		1200	385	1910	.43	.57	.70	1.00	.43	.58	346	2460	.44	.59	.74	324	2780	.45	.61	.77	324	2780	.45	.61	.77	30.0	3150	.45	.63	.81	30.0	3150	.45	.63	.81		
		1350	390	1900	.44	.59	.73	1.00	.44	.60	354	2460	.45	.61	.78	330	2780	.45	.63	.82	330	2780	.45	.63	.82	30.4	3150	.46	.66	.87	30.4	3150	.46	.66	.87		

COOLING PERFORMANCE EXTENDED RATINGS

Note: Shaded area is AHRI Rating Conditions

Indoor Wet Bulb Temperature		Outdoor Air Temperature Entering Outdoor Coil																																			
		85° F (29.4° C)						95° F (35° C)						105° F (40.6° C)						115° F (46.1° C)						125° F (51.7° C)											
		Sensible To Total Ratio (S/T)			Comp. Motor Watts Input			Total Cooling Capacity			Sensible To Total Ratio (S/T)			Comp. Motor Watts Input			Total Cooling Capacity			Sensible To Total Ratio (S/T)			Comp. Motor Watts Input			Total Cooling Capacity			Sensible To Total Ratio (S/T)			Comp. Motor Watts Input			Total Cooling Capacity		
		Indoor Dry Bulb		Indoor Dry Bulb	75°F / 23.9°C		80°F / 26.7°C		85°F / 29.4°C		75°F / 23.9°C		80°F / 26.7°C		85°F / 29.4°C		75°F / 23.9°C		80°F / 26.7°C		85°F / 29.4°C		75°F / 23.9°C		80°F / 26.7°C		85°F / 29.4°C		75°F / 23.9°C		80°F / 26.7°C		85°F / 29.4°C				
Total Air Volume	cfm	Total Cooling Capacity	kBtuh	Comp. Motor Watts Input	Total Cooling Capacity	kBtuh	Comp. Motor Watts Input	Sensible To Total Ratio (S/T)	Total Cooling Capacity	kBtuh	Comp. Motor Watts Input	Sensible To Total Ratio (S/T)	Total Cooling Capacity	kBtuh	Comp. Motor Watts Input	Sensible To Total Ratio (S/T)	Total Cooling Capacity	kBtuh	Comp. Motor Watts Input	Sensible To Total Ratio (S/T)	Total Cooling Capacity	kBtuh	Comp. Motor Watts Input	Sensible To Total Ratio (S/T)	Total Cooling Capacity	kBtuh	Comp. Motor Watts Input	Sensible To Total Ratio (S/T)	Total Cooling Capacity	kBtuh	Comp. Motor Watts Input	Sensible To Total Ratio (S/T)					
4SHP14LB160P-50 - BCE5C60M*4X																																					
59°F (15°C)	1565	53.5	3430	.90	1.00	1.00	3860	.92	1.00	1.00	49.5	4350	.94	1.00	1.00	470	4910	.97	1.00	1.00	44.0	5580	.97	1.00	1.00	44.0	5580	1.00	1.00	1.00							
	1800	56.0	3430	.93	1.00	1.00	3860	.96	1.00	1.00	51.5	4350	.98	1.00	1.00	48.5	4910	1.00	1.00	1.00	45.5	5570	1.00	1.00	1.00	45.5	5570	1.00	1.00	1.00							
	2005	58.0	3420	.97	1.00	1.00	3860	.99	1.00	1.00	53.0	4350	1.00	1.00	1.00	50.5	4910	1.00	1.00	1.00	47.0	5580	1.00	1.00	1.00	47.0	5580	1.00	1.00	1.00							
63°F (17.2°C)	1565	56.5	3430	.73	.86	.98	3860	.75	.88	1.00	51.0	4350	.76	.90	1.00	47.5	4910	.78	.94	1.00	44.5	5570	.81	.97	1.00	44.5	5570	.81	.97	1.00							
	1800	58.0	3420	.76	.90	1.00	3860	.77	.92	1.00	52.5	4350	.79	.95	1.00	49.0	4910	.82	.98	1.00	45.5	5580	.85	1.00	1.00	45.5	5580	.85	1.00	1.00							
	2005	59.5	3420	.78	.93	1.00	3860	.80	.96	1.00	53.5	4350	.82	.99	1.00	50.5	4910	.85	1.00	1.00	47.0	5580	.88	1.00	1.00	47.0	5580	.88	1.00	1.00							
67°F (19.4°C)	1565	59.5	3420	.58	.70	.83	3860	.59	.72	.85	54.0	4350	.60	.74	.87	50.5	4910	.61	.76	.90	47.0	5580	.63	.78	.94	47.0	5580	.63	.78	.94							
	1800	61.0	3410	.60	.73	.86	3860	.61	.75	.89	55.0	4350	.62	.77	.92	52.0	4910	.63	.79	.95	48.0	5580	.65	.83	.99	48.0	5580	.65	.83	.99							
	2005	62.5	3410	.61	.76	.90	3860	.62	.77	.92	56.5	4350	.64	.80	.95	53.0	4910	.65	.82	.99	49.0	5580	.67	.86	1.00	49.0	5580	.67	.86	1.00							
71°F (21.7°C)	1565	62.5	3410	.45	.57	.68	3850	.45	.57	.70	57.0	4350	.45	.58	.71	53.5	4910	.46	.60	.73	50.0	5580	.46	.61	.76	50.0	5580	.46	.61	.76							
	1800	64.5	3410	.45	.59	.71	3850	.46	.59	.72	58.5	4350	.46	.60	.74	55.0	4910	.47	.62	.77	51.0	5580	.48	.64	.80	51.0	5580	.48	.64	.80							
	2005	66.0	3400	.46	.60	.73	3850	.46	.61	.75	59.5	4350	.47	.62	.77	56.0	4920	.48	.64	.80	52.0	5580	.48	.66	.83	52.0	5580	.48	.66	.83							

HEATING PERFORMANCE EXTENDED RATINGS

4SH14LB118P-50 - BCE5C18M*4X

Indoor Coil Air Volume 70°F db (28°C db)		Air Temperature Entering Outdoor Coil																		
		65°F (18°C)				45°F (7°C)				25°F (-4°C)				5°F (-15°C)			-15°F (-28°C)			
		Total Heating Capacity		Comp. Motor Watts Input		Total Heating Capacity		Comp. Motor Watts Input		Total Heating Capacity		Comp. Motor Watts Input		Total Heating Capacity		Comp. Motor Watts Input	Total Heating Capacity		Comp. Motor Watts Input	
CFM	L/s	kBtuh	kW	kBtuh	kW	kBtuh	kW	kBtuh	kW	kBtuh	kW	kBtuh	kW	kBtuh	kW	kBtuh	kW	kBtuh	kW	
525	250	21.0	6.2	1260	16.3	4.8	1185	11.4	3.3	1105	7.5	2.2	995	3.5	1.0	740				
675	320	21.7	6.4	1180	17.0	5.0	1105	12.1	3.5	1030	8.2	2.4	915	4.2	1.2	665				
710	335	21.8	6.4	1170	17.1	5.0	1095	12.3	3.6	1015	8.4	2.5	905	4.4	1.3	655				

Outdoor Temp.	°F	65	60	55	50	47	45	40	35	30	25	20	17	15	10	5	0	-5	-10	-15	-20
	°C	18	16	13	10	8	7	4	2	-1	-4	-7	-8	-9	-12	-15	-18	-21	-23	-26	-29
Compressor Motor kW Input		1.18	1.17	1.15	1.13	1.12	1.11	1.08	1.06	1.05	1.03	1.02	1.01	1	0.98	0.92	0.86	0.79	0.73	0.67	0.61
Total Output	kBtuh	21.7	20.6	19.4	18.3	17.6	17	15.4	13.8	12.9	12.1	11.3	10.8	10.3	9.2	8.2	7.2	6.2	5.2	4.2	3.2
	kW	6.4	6	5.7	5.4	5.2	5	4.5	4	3.8	3.5	3.3	3.2	3	2.7	2.4	2.1	1.8	1.5	1.2	0.9

	Inputs					
	Cap	Watts		Cap	Watts	
	Low		Med		High	
CFM	525		675		710	
47°F	16900.354	1192.286		17606.696	1115.905	
35°F	---	---		13775.951	1057.752	
17°F	---	---		10801.403	1005.282	

4SH14LB124P-50 - BCE5C24M*4X

Indoor Coil Air Volume 70°F db (28°C db)		Air Temperature Entering Outdoor Coil																		
		65°F (18°C)				45°F (7°C)				25°F (-4°C)				5°F (-15°C)			-15°F (-28°C)			
		Total Heating Capacity		Comp. Motor Watts Input		Total Heating Capacity		Comp. Motor Watts Input		Total Heating Capacity		Comp. Motor Watts Input		Total Heating Capacity		Comp. Motor Watts Input	Total Heating Capacity		Comp. Motor Watts Input	
CFM	L/s	kBtuh	kW	kBtuh	kW	kBtuh	kW	kBtuh	kW	kBtuh	kW	kBtuh	kW	kBtuh	kW	kBtuh	kW	kBtuh	kW	
680	320	26.2	7.7	1510	20.5	6	1445	14.6	4.3	1375	10.3	3	1255	4.9	1.4	935				
875	415	26.9	7.9	1420	21.3	6.2	1350	15.3	4.5	1280	11	3.2	1165	5.6	1.6	840				
915	430	27	7.9	1405	21.4	6.3	1335	15.4	4.5	1270	11.1	3.3	1150	5.7	1.7	825				

Outdoor Temp.	°F	65	60	55	50	47	45	40	35	30	25	20	17	15	10	5	0	-5	-10	-15	-20
	°C	18	16	13	10	8	7	4	2	-1	-4	-7	-8	-9	-12	-15	-18	-21	-23	-26	-29
Compressor Motor kW Input		1.42	1.41	1.39	1.37	1.36	1.35	1.33	1.31	1.29	1.28	1.27	1.27	1.26	1.25	1.17	1.08	1	0.92	0.84	0.76
Total Output	kBtuh	26.9	25.6	24.3	23	22.2	21.3	19	16.7	16	15.3	14.7	14.3	13.7	12.4	11	9.7	8.3	7	5.6	4.3
	kW	7.9	7.5	7.1	6.7	6.5	6.2	5.6	4.9	4.7	4.5	4.3	4.2	4	3.6	3.2	2.8	2.4	2.1	1.6	1.3

	Inputs					
	Cap	Watts		Cap	Watts	
	Low		Med		High	
CFM	680		875		915	
47°F	21467.016	1454.642		22183.983	1361.527	
35°F	---	---		16660.501	1302.639	
17°F	---	---		14252.452	1265.891	

HEATING PERFORMANCE EXTENDED RATINGS

4SHPI4LB130P-50 - BCE5C30M*4X

Indoor Coil Air Volume 70°F db (28°C db)		Air Temperature Entering Outdoor Coil																		
		65°F (18°C)				45°F (7°C)				25°F (-4°C)				5°F (-15°C)			-15°F (-28°C)			
		Total Heating Capacity		Comp. Motor Watts Input		Total Heating Capacity		Comp. Motor Watts Input		Total Heating Capacity		Comp. Motor Watts Input		Total Heating Capacity		Comp. Motor Watts Input	Total Heating Capacity		Comp. Motor Watts Input	
CFM	L/s	kBtuh	kW	kBtuh	kW	kBtuh	kW	kBtuh	kW	kBtuh	kW	kBtuh	kW	kBtuh	kW	kBtuh	kW	kBtuh	kW	
845	400	31.9	9.3	1870	25.1	7.4	1765	18	5.3	1660	12.9	3.8	1485	6.2	1.8	1105	6.2	1.8	1105	
1025	485	32.7	9.6	1780	25.9	7.6	1675	18.7	5.5	1570	13.6	4	1395	6.9	2	1010	6.9	2	1010	
1150	545	33.1	9.7	1735	26.3	7.7	1630	19.2	5.6	1525	14	4.1	1350	7.3	2.1	965	7.3	2.1	965	

Outdoor Temp.	°F	65	60	55	50	47	45	40	35	30	25	20	17	15	10	5	0	-5	-10	-15	-20
	°C	18	16	13	10	8	7	4	2	-1	-4	-7	-8	-9	-12	-15	-18	-21	-23	-26	-29
Compressor Motor kW Input		1.78	1.76	1.73	1.7	1.69	1.68	1.65	1.63	1.6	1.57	1.55	1.53	1.52	1.49	1.4	1.3	1.21	1.11	1.01	0.92
Total Output	kBtuh	32.7	31.1	29.5	27.9	27	25.9	23.1	20.3	19.5	18.7	18	17.5	16.9	15.3	13.6	11.9	10.3	8.6	6.9	5.2
	kW	9.6	9.1	8.6	8.2	7.9	7.6	6.8	5.9	5.7	5.5	5.3	5.1	5	4.5	4	3.5	3	2.5	2	1.5

	Inputs					
	Cap		Watts		Watts	
	Low		Med		High	
CFM	845		1025		1150	
47°F	26232.35		1774.885		26984.668	
35°F	---		---		20291.075	
17°F	---		---		17491.005	

4SHPI4LB136P-50 - BCE5C36M*4X

Indoor Coil Air Volume 70°F db (28°C db)		Air Temperature Entering Outdoor Coil																		
		65°F (18°C)				45°F (7°C)				25°F (-4°C)				5°F (-15°C)			-15°F (-28°C)			
		Total Heating Capacity		Comp. Motor Watts Input		Total Heating Capacity		Comp. Motor Watts Input		Total Heating Capacity		Comp. Motor Watts Input		Total Heating Capacity		Comp. Motor Watts Input	Total Heating Capacity		Comp. Motor Watts Input	
CFM	L/s	kBtuh	kW	kBtuh	kW	kBtuh	kW	kBtuh	kW	kBtuh	kW	kBtuh	kW	kBtuh	kW	kBtuh	kW	kBtuh	kW	
1050	495	37.2	10.9	2225	29.3	8.6	2085	21.1	6.2	1945	14.8	4.3	1750	7.2	2.1	1290	7.2	2.1	1290	
1201	565	37.9	11.1	2155	30	8.8	2015	21.8	6.4	1875	15.5	4.5	1680	7.9	2.3	1220	7.9	2.3	1220	
1350	635	38.4	11.3	2095	30.5	8.9	1960	22.3	6.5	1815	16	4.7	1620	8.4	2.5	1160	8.4	2.5	1160	

Outdoor Temp.	°F	65	60	55	50	47	45	40	35	30	25	20	17	15	10	5	0	-5	-10	-15	-20
	°C	18	16	13	10	8	7	4	2	-1	-4	-7	-8	-9	-12	-15	-18	-21	-23	-26	-29
Compressor Motor kW Input		2.16	2.12	2.09	2.06	2.04	2.02	1.97	1.92	1.9	1.88	1.85	1.84	1.83	1.79	1.68	1.57	1.45	1.34	1.22	1.11
Total Output	kBtuh	37.9	36	34.1	32.3	31.2	30	27	24.1	23	21.8	20.7	20	19.2	17.4	15.5	13.6	11.7	9.8	7.9	6
	kW	11.1	10.6	10	9.5	9.1	8.8	7.9	7.1	6.7	6.4	6.1	5.9	5.6	5.1	4.5	4	3.4	2.9	2.3	1.8

	Inputs					
	Cap		Watts		Watts	
	Low		Med		High	
CFM	1050		1201		1350	
47°F	30449.502		2105.323		31158.564	
35°F	---		---		24095.877	
17°F	---		---		19986.457	

HEATING PERFORMANCE EXTENDED RATINGS

4SH14LB142P-50 - BCE5C42M*4X

Indoor Coil Air Volume 70°F db (28°C db)		Air Temperature Entering Outdoor Coil																		
		65°F (18°C)				45°F (7°C)				25°F (-4°C)				5°F (-15°C)			-15°F (-28°C)			
		Total Heating Capacity		Comp. Motor Watts Input		Total Heating Capacity		Comp. Motor Watts Input		Total Heating Capacity		Comp. Motor Watts Input		Total Heating Capacity		Comp. Motor Watts Input	Total Heating Capacity		Comp. Motor Watts Input	
CFM	L/s	kBtuh	kW	kBtuh	kW	kBtuh	kW	kBtuh	kW	kBtuh	kW	kBtuh	kW	kBtuh	kW	kBtuh	kW	kBtuh	kW	
1225	580	47	13.8	3225	37.3	10.9	2920	27	7.9	2600	19.8	5.8	2330	9.7	2.8	1745				
1400	660	47.7	14	3090	38	11.1	2790	27.7	8.1	2470	20.5	6	2200	10.4	3	1610				
1575	745	48.4	14.2	2990	38.7	11.3	2690	28.5	8.4	2365	21.2	6.2	2100	11.1	3.3	1510				

Outdoor Temp.	°F	65	60	55	50	47	45	40	35	30	25	20	17	15	10	5	0	-5	-10	-15	-20
	°C	18	16	13	10	8	7	4	2	-1	-4	-7	-8	-9	-12	-15	-18	-21	-23	-26	-29
Compressor Motor kW Input		3.09	3.03	2.96	2.89	2.85	2.79	2.65	2.5	2.49	2.47	2.45	2.44	2.42	2.35	2.2	2.06	1.91	1.76	1.61	1.47
Total Output	kBtuh	47.7	45.4	43.2	41	39.6	38	33.8	29.7	28.7	27.7	26.8	26.2	25.3	23	20.5	18	15.4	12.9	10.4	7.9
	kW	14	13.3	12.7	12	11.6	11.1	9.9	8.7	8.4	8.1	7.9	7.7	7.4	6.7	6	5.3	4.5	3.8	3	2.3

	Inputs					
	Cap		Watts		Watts	
	Low		Med		High	
CFM	1225		1400		1575	
47°F	38902.389		2980.237		39611.371	
35°F	---		---		29698.136	
17°F	---		---		26173.516	

4SH14LB148P-50 - BCE5C48M*4X

Indoor Coil Air Volume 70°F db (28°C db)		Air Temperature Entering Outdoor Coil																		
		65°F (18°C)				45°F (7°C)				25°F (-4°C)				5°F (-15°C)			-15°F (-28°C)			
		Total Heating Capacity		Comp. Motor Watts Input		Total Heating Capacity		Comp. Motor Watts Input		Total Heating Capacity		Comp. Motor Watts Input		Total Heating Capacity		Comp. Motor Watts Input	Total Heating Capacity		Comp. Motor Watts Input	
CFM	L/s	kBtuh	kW	kBtuh	kW	kBtuh	kW	kBtuh	kW	kBtuh	kW	kBtuh	kW	kBtuh	kW	kBtuh	kW	kBtuh	kW	
1400	660	55.9	16.4	3715	43.5	12.7	3355	30.6	9	2980	21.5	6.3	2625	10.6	3.1	1965				
1596	755	56.7	16.6	3570	44.3	13	3210	31.4	9.2	2835	22.3	6.5	2485	11.4	3.3	1825				
1840	870	57.4	16.8	3445	45	13.2	3085	32.1	9.4	2710	23	6.7	2355	12.1	3.5	1695				

Outdoor Temp.	°F	65	60	55	50	47	45	40	35	30	25	20	17	15	10	5	0	-5	-10	-15	-20
	°C	18	16	13	10	8	7	4	2	-1	-4	-7	-8	-9	-12	-15	-18	-21	-23	-26	-29
Compressor Motor kW Input		3.57	3.49	3.41	3.32	3.27	3.21	3.07	2.93	2.88	2.84	2.79	2.77	2.73	2.65	2.49	2.32	2.16	1.99	1.83	1.66
Total Output	kBtuh	56.7	53.8	51	48.1	46.3	44.3	39.4	34.4	32.9	31.4	29.9	29	27.9	25	22.3	19.6	16.9	14.1	11.4	8.7
	kW	16.6	15.8	14.9	14.1	13.6	13	11.5	10.1	9.6	9.2	8.8	8.5	8.2	7.3	6.5	5.7	5	4.1	3.3	2.5

	Inputs					
	Cap		Watts		Watts	
	Low		Med		High	
CFM	1400		1596		1840	
47°F	45521.163		3412.831		46347.869	
35°F	---		---		34352.781	
17°F	---		---		29049.513	

HEATING PERFORMANCE EXTENDED RATINGS

4SHPI4LB160P-50 - BCE5C60M*4X

Indoor Coil Air Volume 70°F db (28°C db)		Air Temperature Entering Outdoor Coil																		
		65°F (18°C)				45°F (7°C)				25°F (-4°C)				5°F (-15°C)			-15°F (-28°C)			
		Total Heating Capacity		Comp. Motor Watts Input		Total Heating Capacity		Comp. Motor Watts Input		Total Heating Capacity		Comp. Motor Watts Input		Total Heating Capacity		Comp. Motor Watts Input	Total Heating Capacity		Comp. Motor Watts Input	
CFM	L/s	kBtuh	kW	kBtuh	kW	kBtuh	kW	kBtuh	kW	kBtuh	kW	kBtuh	kW	kBtuh	kW	kBtuh	kW	kBtuh	kW	
1565	740	65	19	4310	50.9	14.9	3955	35.8	10.5	3600	26.6	7.8	3125	13	3.8	2335				
1800	850	66	19.3	4130	51.9	15.2	3780	36.9	10.8	3425	27.7	8.1	2950	14.1	4.1	2160				
2005	945	66.8	19.6	4020	52.7	15.4	3665	37.7	11	3310	28.5	8.4	2835	14.9	4.4	2045				

Outdoor Temp.	°F	65	60	55	50	47	45	40	35	30	25	20	17	15	10	5	0	-5	-10	-15	-20
	°C	18	16	13	10	8	7	4	2	-1	-4	-7	-8	-9	-12	-15	-18	-21	-23	-26	-29
Compressor Motor kW Input		4.13	4.05	3.96	3.87	3.81	3.78	3.7	3.62	3.52	3.43	3.33	3.27	3.24	3.15	2.95	2.75	2.56	2.36	2.16	1.97
Total Output	kBtuh	66	62.8	59.7	56.5	54.6	51.9	45.3	38.6	37.8	36.9	36	35.5	34.3	31.1	27.7	24.3	20.9	17.5	14.1	10.7
	kW	19.3	18.4	17.5	16.6	16	15.2	13.3	11.3	11.1	10.8	10.6	10.4	10.1	9.1	8.1	7.1	6.1	5.1	4.1	3.1

	Inputs					
	Cap		Watts		Watts	
	Low		Med		High	
CFM	1565		1800		2005	
47°F	53531.181		3985.299		54579.041	
35°F	---		---		38609.755	
17°F	---		---		35526.852	



1-800-448-5872

All specifications and illustrations subject to change without notice and without incurring obligations.