

BCE3C

PRODUCT SPECIFICATIONS

STANDARD AIR HANDLER

FORM NO. BCE3C-100 (01/2017)



APPLICATION

- 1 1/2 - 5 ton systems
- Upflow and horizontal (counterflow capable with kits)
- Sequenced for demand management
- External access to heater circuit breakers

INSTALLATION

- 1 Piece design for easier installation
- Multiposition - Upflow/Horizontal Left/Right
- Unit approved for installation in manufactured housing and mobile homes

CABINET

- Foil faced insulation
- Painted, heavy-gauge galvanized cabinet
- Filter rack built into every air handler
- High-strength, UV- and heat-resistant plastic drain pan for corrosion resistance
- Microban® antimicrobial built in to drain pan to resist mold and mildew growth and fouling of the drain
- 2% or less air leakage

COMPONENTS

- Efficient PSC blower motors
- Standard transformer and blower relay
- Field-installed 2.5-20 kW electric heat kits with easy plug connections
- Built-in indoor time delay for increased efficiency
- Sleeves on distributor tubing to protect tubing

ACCESSORIES

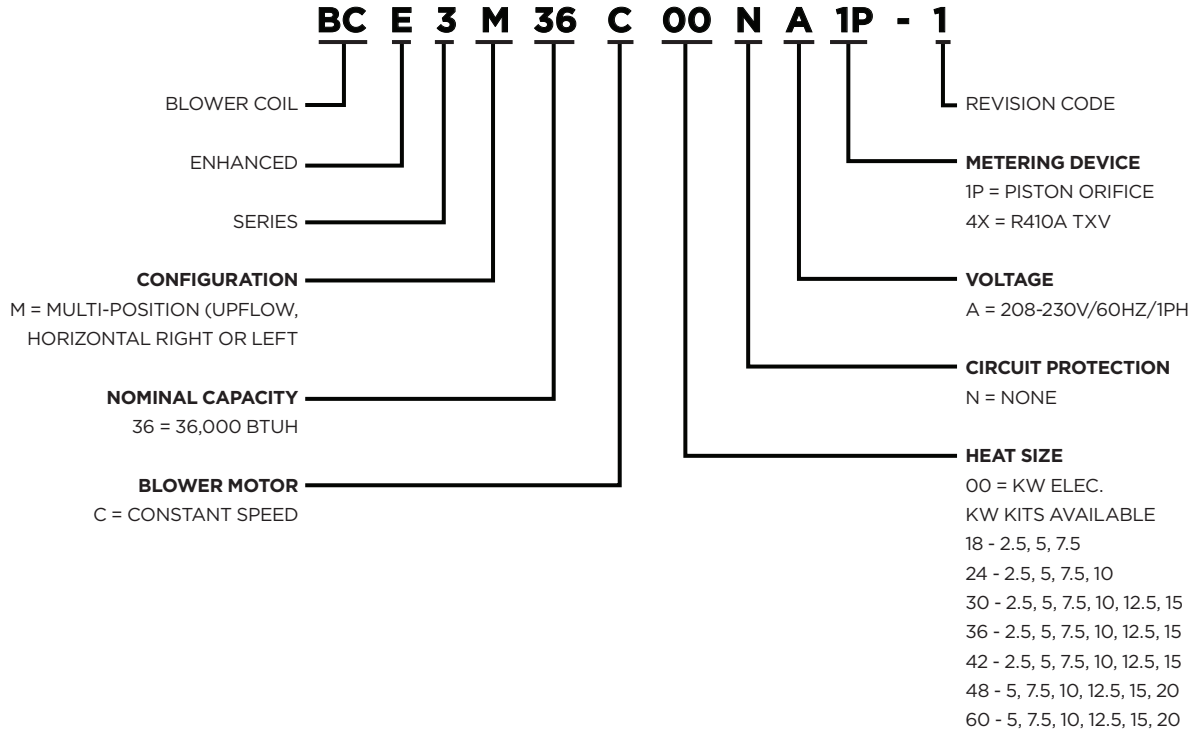
- Counterflow kit
- Single point power kit

WARRANTY

10-year limited parts warranty available when applied with a system. See limited warranty document for details.



MODEL NUMBER GUIDE



PHYSICAL

Model	Volts/Hz/Phase	Max. Elec. Heat Available (kW)	Transformer Size & Type	Filter Size (in.)	Refrigerant Connection (IDS)		Florator Piston Size	Weight (lbs.)
					Suction (in.)	Liquid (in.)		
BCE3M18	208-230/60/1	7.5kW	40 VA Class 2	12 X 20	3/4	3/8	0.053	104
BCE3M24	208-230/60/1	10kW	40 VA Class 2	15 X 20	3/4	3/8	0.057	122
BCE3M30	208-230/60/1	15kW	40 VA Class 2	15 X 20	3/4	3/8	0.062	125
BCE3M36	208-230/60/1	15kW	40 VA Class 2	18 X 20	7/8	3/8	0.071	160
BCE3M42	208-230/60/1	15kW	40 VA Class 2	18 X 24	7/8	3/8	0.076	162
BCE3M48	208-230/60/1	20kW	40 VA Class 2	18 X 24	7/8	3/8	0.080	185
BCE3M60	208-230/60/1	20kW	40 VA Class 2	18 X 24	7/8	3/8	0.093	185

ELECTRICAL

Model	Elec. Heating Cap.		Blower Amps	Min. Circuit Ampacity				Max. Circuit Breaker Size				Single Point Power Supply			
	kW	Btuh		208v		240v		208v		240v		208v		240v	
	240v	240v		1	2	1	2	1	2	1	2	Amps	Fuse	Amps	Fuse
BCE3M18	0	0	1.6	-	-	-	-	15	-	15	-	-	-	-	-
	2.5	8600	1.6	13.0	-	15.0	-	15	-	15	-	-	-	-	-
	5	17100	1.6	22.0	-	24.0	-	25	-	30	-	-	-	-	-
	7.5	25600	1.6	31.0	-	35.0	-	40	-	45	-	-	-	-	-
BCE3M24	0	0	1.6	-	-	-	-	15	-	15	-	-	-	-	-
	2.5	8600	1.6	13.0	-	15.0	-	15	-	15	-	-	-	-	-
	5	17100	1.6	25.0	-	28.0	-	25	-	30	-	-	-	-	-
	7.5	25600	1.6	36.0	-	41.0	-	40	-	45	-	-	-	-	-
	9	30700	1.6	43.0	-	49.0	-	45	-	50	-	-	-	-	-
BCE3M30	0	0	1.9	-	-	-	-	15	-	15	-	-	-	-	-
	2.5	8600	1.9	14.0	-	15.0	-	15	-	15	-	-	-	-	-
	5	17100	1.9	25.0	-	28.0	-	25	-	30	-	-	-	-	-
	7.5	25600	1.9	36.0	-	41.0	-	40	-	45	-	-	-	-	-
	9	30700	1.9	43.0	-	49.0	-	45	-	50	-	-	-	-	-
	12.5	42700	1.9	40.0	19.0	46.0	22.0	40	20	50	25	59	60	67	70
	15	51200	1.9	25.0	45.0	28	52	25	50	30	60	70	70	81	90
BCE3M36	0	0	2.3	-	-	-	-	15	-	15	-	-	-	-	-
	2.5	8600	2.3	14.0	-	16.0	-	15	-	20	-	-	-	-	-
	5	17100	2.3	25.0	-	29.0	-	25	-	30	-	-	-	-	-
	7.5	25600	2.3	36.0	-	42.0	-	40	-	45	-	-	-	-	-
	9	30700	2.3	43.0	-	49.0	-	45	-	50	-	-	-	-	-
	12.5	42700	2.3	40.0	19.0	46.0	22.0	40	20	50	25	59	60	68	70
	15	51200	2.3	25.0	45.0	29.0	52.0	25	50	30	60	70	70	81	90
BCE3M42	0	0	1.9	-	-	-	-	15	-	15	-	-	-	-	-
	2.5	8600	1.9	14.0	-	15.0	-	15	-	15	-	-	-	-	-
	5	17100	1.9	25.0	-	28.0	-	25	-	30	-	-	-	-	-
	7.5	25600	1.9	36.0	-	41.0	-	40	-	45	-	-	-	-	-
	9	30700	1.9	43.0	-	49.0	-	45	-	50	-	-	-	-	-
	12.5	42700	1.9	40.0	19.0	46.0	22.0	40	20	50	25	54	60	67	70
	15	51200	1.9	25.0	45.0	28.0	52.0	25	50	30	60	70	70	81	90
BCE3M48	0	0	3.9	-	-	-	-	15	-	15	-	-	-	-	-
	5	17100	3.9	27.0	-	31.0	-	30	-	35	-	-	-	-	-
	7.5	25600	3.9	39.0	-	44.0	-	40	-	45	-	-	-	-	-
	9	30700	3.9	45.0	-	52.0	-	45	-	60	-	-	-	-	-
	12.5	42700	3.9	42.0	19.0	48.0	22.0	45	20	50	25	61	70	70	70
	15	51200	3.9	27.0	45.0	31.0	52.0	30	50	35	60	72	80	83	90
	20	68300	3.9	45.0	50.0	52.0	57.0	45	50	60	60	95	100	109	110
BCE3M60	0	0	3.9	-	-	-	-	15	-	15	-	-	-	-	-
	5	17100	3.9	27.0	-	31.0	-	30	-	35	-	-	-	-	-
	7.5	25600	3.9	39.0	-	44.0	-	40	-	45	-	-	-	-	-
	9	30700	3.9	45.0	-	52.0	-	45	-	60	-	-	-	-	-
	12.5	42700	3.9	42.0	19.0	48.0	22.0	45	20	50	25	61	70	70	70
	15	51200	3.9	27.0	45.0	31.0	52.0	30	50	35	60	72	80	83	90
	20	68300	3.9	45.0	50.0	52.0	57.0	45	50	60	60	95	100	109	110

1. For 208 volt use .751 correction factor for kW and Btuh
 2. 12.5kW, 15 and 20kW (2 stage models) require 2 supply circuits

3. Circuit #1 includes blower motor amps except 20kW models

BLOWER

Model	Motor Size (hp)	Blower Size (in.)	Speed Tap	CFM @ ESP - in. W.C.				
				0.1	0.2	0.3	0.4	0.5
BCE3M18	1/3	9 x 6	Low (Red)	510	495	475	420	325
			Med (Blue)	670	650	630	595	505
			High (Black)	905	865	820	770	705
BCE3M24	1/3	9 x 6	Low (Red)	630	625	615	610	580
			Med (Blue)	885	875	850	820	780
			High (Black)	1130	1100	1070	1010	950
BCE3M30	1/3	10 x 8	Low (Red)	900	865	830	780	740
			Med (Blue)	1075	1060	1030	985	940
			High (Black)	1240	1210	1170	1135	1085
BCE3M36	1/3	10 x 8	Low (Red)	1075	1040	1000	950	900
			Med (Blue)	1300	1250	1205	1145	1085
			High (Black)	1510	1450	1390	1320	1245
BCE3M42	1/3	12 x 8	Low (Red)	1325	1315	1300	1275	1225
			Med (Blue)	1490	1465	1440	1395	1315
			High (Black)	1820	1770	1690	1600	1500
BCE3M48	1/2	11 x 9	Low (Red)	1775	1710	1645	1565	1470
			Med (Blue)	1995	1895	1800	1685	1560
			High (Black)	2070	1970	1850	1719	1595
BCE3M60	1/2	12 x 9	Low (Red)	1675	1630	1580	1520	1450
			Med (Blue)	1965	1925	1875	1800	1695
			High (Black)	2140	2085	2000	1895	1795

All data given while air handler is operating with a wet DX coil and air filter installed.
 Speeds marked in italics with an asterisk* are the factory settings for both heating and cooling.
 Cooling speeds should not be reduced below factory settings.
 Different speeds can be set for heating mode.

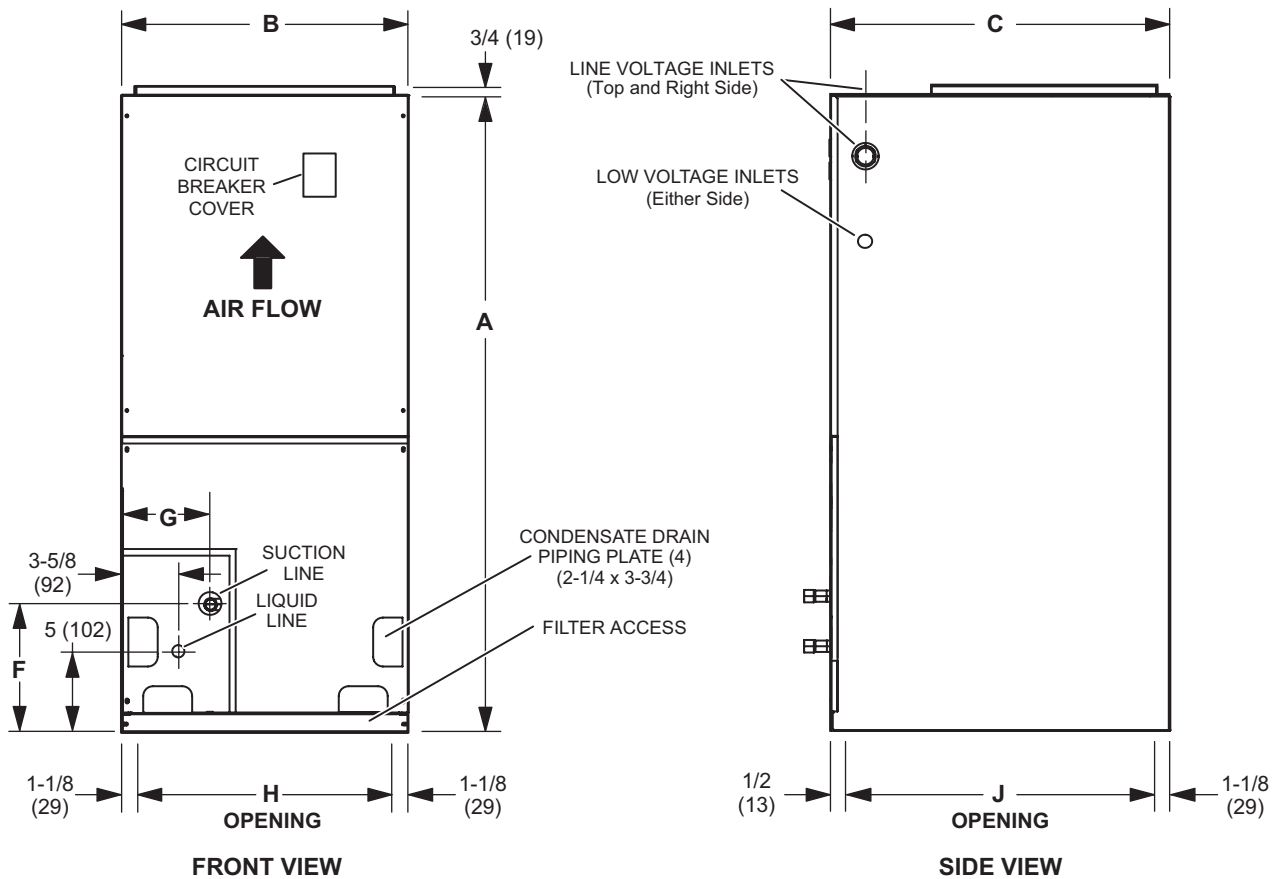
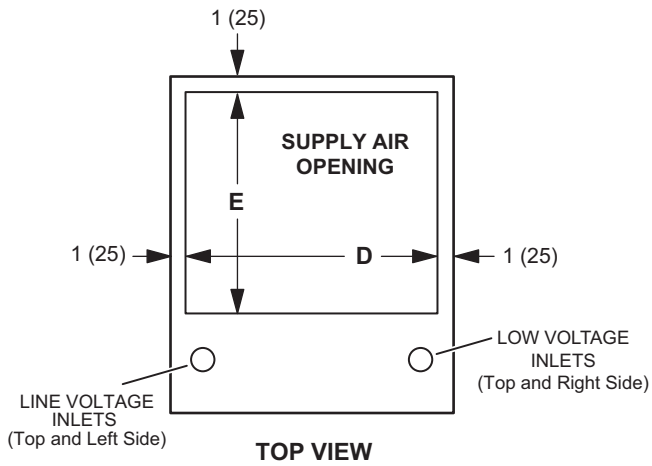
ACCESSORIES

DESCRIPTION	WHERE USED	KIT NUMBER
Counterflow Kit	18	96W37
	24, 30	96W38
	36	97W95
	42, 48, 60	97W96
Single Point Power Kit	ALL BCE3	21H39

ELECTRIC HEAT KITS

DESCRIPTION	WHERE USED	KIT NUMBER
ECB25-2.5-P 2.5 kW Electric Heater with Terminal Block	BCE3*18, 24, 30, 36, 42	12R08
ECB25-5-P 5 kW Electric Heater with Terminal Block	BCE3*18, 24, 30, 36, 42, 48, 60	12R45
ECB25-5CB-P 5 kW Electric Heater with Circuit Breaker	BCE3*18, 24, 30, 36, 42, 48, 60	12R60
ECB25-7-P 7.5 kW Electric Heater with Terminal Block	BCE3*18, 24, 30, 36, 42, 48, 60	12S08
ECB25-7CB-P 7.5 kW Electric Heater with Circuit Breaker	BCE3*18, 24, 30, 36, 42, 48, 60	12R61
ECB25-10-P Electric Heater/9 kW	BCE3*24, 30, 36, 42, 48, 60	12S59
ECB25-10CB-P Electric Heater/9 kW w/breaker	BCE3*24, 30, 36, 42, 48, 60	12S60
ECB25-12.5CB-P 12.5 kW Electric Heater with Circuit Breaker	BCE3*30, 36, 42, 48, 60	12S77
ECB25-15CB-P Electric Heater/15 kW	BCE3*30, 36, 42, 48, 60	12S87
ECB25-20CB-P Electric Heater/20 kW	BCE3*48, 60	12S88

DIMENSIONS (IN.)



Dimension	018		024		030		036		042		048-060	
	in.	mm	in.	mm	in.	mm	in.	mm	in.	mm	in.	mm
A	38	965	40-1/2	1029	43	1092	52-1/2	1334	48	1219	52-1/2	1334
B	15	381	18-1/2	470	18-1/2	470	21-7/8	556	21-7/8	556	21-7/8	556
C	22	559	22	559	22	559	22	559	26-1/4	667	26-1/4	667
D	13	330	16-1/2	419	16-1/2	419	19-7/8	505	19-7/8	505	19-7/8	505
E	14-1/2	368	14-1/2	368	14-1/2	368	14-1/2	368	18-3/4	476	18-3/4	476
F	8	203	8	203	8	203	8	203	9-1/4	235	9-1/4	235
G	5-5/8	143	5-5/8	143	5-5/8	143	5-5/8	143	4-1/2	114	4-1/2	114
H	12-3/4	324	16-1/4	413	16-1/4	413	19-5/8	498	19-5/8	498	19-5/8	498
J	20-3/8	518	20-3/8	518	20-3/8	518	20-3/8	518	24-5/8	625	24-5/8	625



1-800-448-5872

All specifications and illustrations subject to change without notice and without incurring obligations.