



## ELECTRIC HEAT KITS

507003-01  
11/2018  
Supersedes 11/2014

## EHA150/360 ELECTRIC HEAT

See unit nameplate for manufacturer's name and address.

### INSTALLATION INSTRUCTIONS FOR EHA150/360 ELECTRIC HEAT ASSEMBLIES USED WITH LCH/KC/KH 156/360 UNITS

#### Shipping and Packing List

Package 1 of 1 contains:

- 2- Electric heat assemblies\*
- 1- Electric heat control module (used on KC/KH only)
- 1- TB2 terminal block

Electric heat pigtails (quantity varies by model)

- 1- Bag assembly containing:
  - Wiring diagram stickers (qty. 1, 2, or 3)
  - 20- Screws
- 1- Box assembly containing (used on KC/KH units without hinges only):
  - 2- Electric heat door frames
  - 2- Electric heat doors
  - 4- Door hinges

*\*When replacing an existing electric heat assembly of the same size, it is not necessary to replace the rest of the parts found in this kit.*

Inspect package upon receiving. If damage is found, contact last carrier immediately.

#### F4 Fuse Block

Fuse block assembly (F4) is furnished with the unit. The fuse block is required in single point power installations only.

#### Terminal Block

TB2 in this kit replaces any factory-installed TB2. TB2 in this kit also replaces any factory-installed S48 or CB10 larger than 80amp.

### ⚠ WARNING

**Improper installation, adjustment, alteration, service or maintenance can cause property damage, personal injury or loss of life. Installation and service must be performed by a licensed professional HVAC installer or equivalent, service agency, or the gas supplier**

### ⚠ CAUTION

**As with any mechanical equipment, contact with sharp sheet metal edges can result in personal injury. Take care while handling this equipment and wear gloves and protective clothing.**

#### Application

EHA150, 156, 240 & 360 electric heat sections are used as primary heaters for packaged cooling units and as a secondary heat source for packaged heat pump units. See table 1 for match-ups. Two electric heat assemblies are used in 156 through 360 units.

#### Requirements

The EHA 60 Hz series heaters are CSA and ETL design certified. The EHA 50 Hz series heaters are CE compliant.

Installation of electric heaters must conform with standards of the National Fire Protection Association (NFPA) "Standard for Installation of Air Conditioning and Ventilation Systems NFPA No. 90A;" "Standard for the Installation of Residence Type Warm Air Heating and Air Conditioning Systems NFPA No. 90B;" in Canada, CSA C22.1 Canadian Electrical Code — Part I and all applicable CSA requirements; manufacturer's installation instructions and local municipal building codes. Heaters are approved for clearances to combustible materials as listed on heater rating plate.

Accessibility and service clearances must take precedence over fire protection clearances. All wiring must conform with local building codes and the current National Electric Code (NEC) ANSI-C1 and in Canada, CSA C22.1 Canadian Electrical Code —Part I and the applicable CSA requirements.

#### Installation

- 1- Disconnect all power to unit.
- 2- Remove or open unit heat and compressor access panels. Remove screws and discard rectangular vestibule covers. See unit installation instruction dimension page.

- 3- *LCH/KC/KH156 Units* -  
Knock down two tabs in unit heat sections. See figure 1.
- 4- Insert electric element heat assembly into rectangular vestibule opening and secure assembly using screws provided. See figure 1.
- 5- *KC/KH Units Only* -  
Install electric heat control module in control area as shown in figure 2. Secure with #8 thread forming screws (provided).
- 6- *Units Without CB10 or S48 Only* -  
Replace the unit terminal block TB2 with the terminal block provided in kit.

- 7- Place appropriate electric heat wiring diagram on the inner side of compressor access panel. One, two, or three diagrams are provided with each kit. When diagrams have the same unit model number refer to the following:

LCH units will be equipped with either an M2 or M3 Unit Controller. M2 or M3 will be printed on the bottom of the Unit Controller near the SBUS connector. On units equipped with an M3 Unit Controller, use the diagram which has A178 in the key list.

**TABLE 1**

Packaged Units	Catalog No. / Part No.	Unit Voltage	Figure	Electric Heat	KW Output
156-300S (13-25 Ton)	53W84 / 604503-01	208/230	5	EHA240-7.5 and EHA240S-7.5	15
	53W86 / 604503-03	460	5		
	53W87 / 604503-04	600	5	EHA240-5.7 and EHA240S-5.7	11.5
	67W96 / 604503-33	380	5		
156 (13 Ton)	53W88 / 604503-05	208/230	6	EHA156-15 and EHA156S-15	30
	53W90 / 604503-07	460	5		
	53W91 / 604503-08	600	5	EHA156-11.5 and EHA156S-11.5	23
	67W97 / 604503-34	380	5		
180-360 (15-30 Ton)	53W92 / 604503-09	208/230	6	EHA360-15 and EHA360S-15	30
	53W94 / 604503-11	460	5		
	53W95 / 604503-12	600	5	EHA360-11.5 and EHA360S-11.5	23
	67W98 / 604503-35	380	5		
LCH156 (13 Ton)	53W96 / 604503-13	208/230	7	EHA156-22.5 (2)	45
	53W98 / 604503-15	460	7		
	53W99 / 604503-16	600	7	EHA156-17.2 (2)	34.5
	67W99 / 604503-36	380	7		
180-360 (15-30 Ton)	54W00 / 604503-17	208/230	7	EHA360-22.5 (2)	45
	54W02 / 604503-19	460	7		
	54W03 / 604503-20	600	7	EHA360-17.2 (2)	34.5
	68W00 / 604503-37	380	7		
LCH156 (13 Ton)	54W04 / 604503-21	208/230	7	EHA156-30 (2)	60
	54W06 / 604503-23	460	7		
	54W07 / 604503-24	600	7	EHA156-23 (2)	45.9
	68W01 / 604503-38	380	7		
180-360 (15-30 Ton)	54W08 / 604503-25	208/230	7	EHA150-30 (2)	60
	54W10 / 604503-27	460	7		
	54W11 / 604503-28	600	7	EHA150-23 (2)	45.9
	68W02 / 604503-39	380	7		

210-360 (15-30 Ton)	54W12 / 604503-29	208/230	7	EHA360-45 (2)	90
	54W14 / 604503-31	460	7		
	54W15 / 604503-32	600	7	EHA360-34.5 (2)	68.9
	68W03 / 604503-40	380	7		
300-360 (15-30 Ton)	73W98 / 604503-41	208/230	7	EHA150-60 (2)	120
	73W99 / 604503-42	460	7		
	74W00 / 604503-43	600	7	EHA150-45.9 (2)	91.8
	74W01 / 604503-44	380	7		

(2) Two electric heat assemblies.

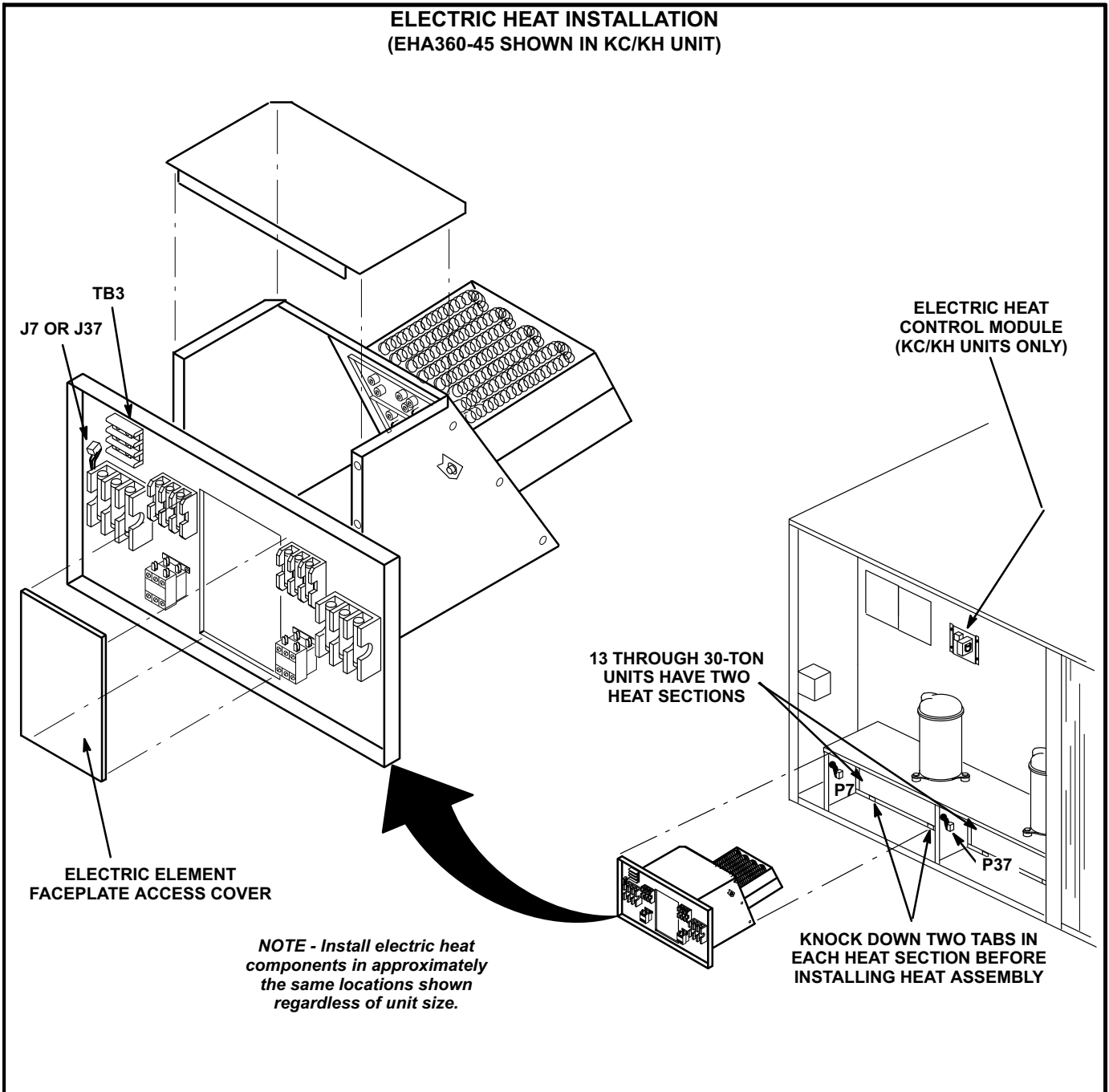


FIGURE 1

## Electrical Connections

Wiring must conform to local codes and NEC/CEC. Refer closely to wiring diagram in this instruction and the following information: If electric heat assembly is being installed in an existing unit, a change in power supply wiring and disconnect switch or circuit breaker may be required. Remove the original supply wires or disconnect at power source. Refer to heater nameplate for minimum circuit ampacity and maximum fuse size.

## ⚠ WARNING



**Electric shock hazard. Can cause injury or death. Before attempting to perform any service or maintenance, turn the electrical power to unit OFF at disconnect switch(es). Unit may have multiple power supplies.**

## KC/KH Units Control Wiring

Refer to figure 2.

*Note - Install electric heat control module before making wire connections. See Installation section.*

- 1- Connect wire from electric heat control assembly marked GND to grounding tab.
- 2- Connect wire marked "TB13-L2" to "L2" of TB13 terminal block.
- 3- Connect wire marked "TB13-L3" to "L3" of TB13 terminal block.
- 4- Remove the jumper plug from J2; connect J2 to P2 plug located near J2.
- 5- Route wires marked "P7" and "P37" to the location shown in figure 2 and secure harness with wire ties provided.
- 6- Connect wires marked "J7" and "J37" in electric heat assemblies to pigtail wires marked "P7" and "P37" from kt harness.

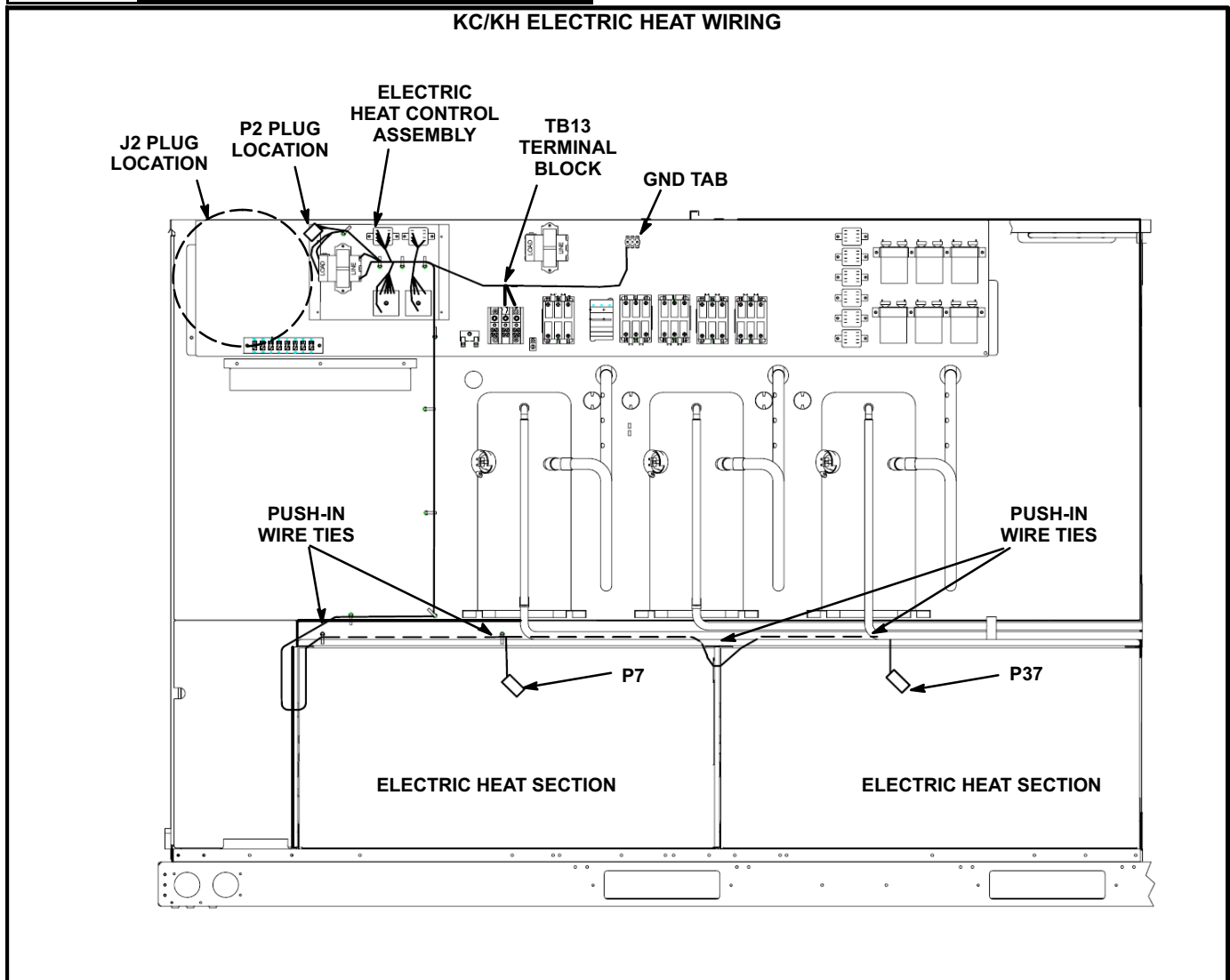


FIGURE 2

### LCH Units Control Wiring

Refer to figure 3.

- 1- Locate and disconnect J7 and J37 jumper plug from harness. See figure 2.
- 2- Cut wire ties that bundle P7 and J37 harnesses; do

not damage wires.

- 3- Route P37 to the right heat section as shown in figure 2.
- 4- Connect electric heat assembly wires marked "J7" and "J37" to pigtail wires marked "P7" and "P37".

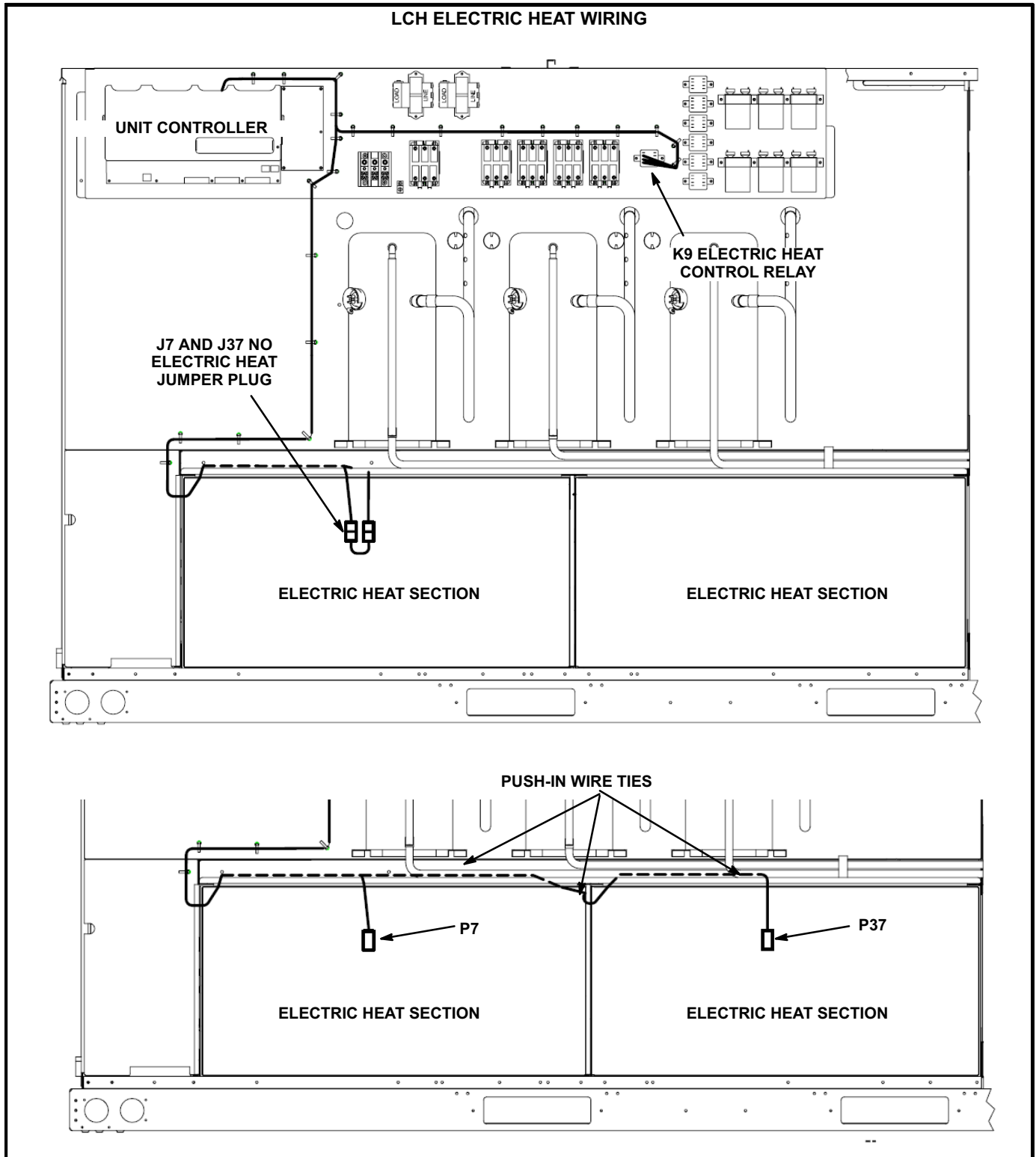
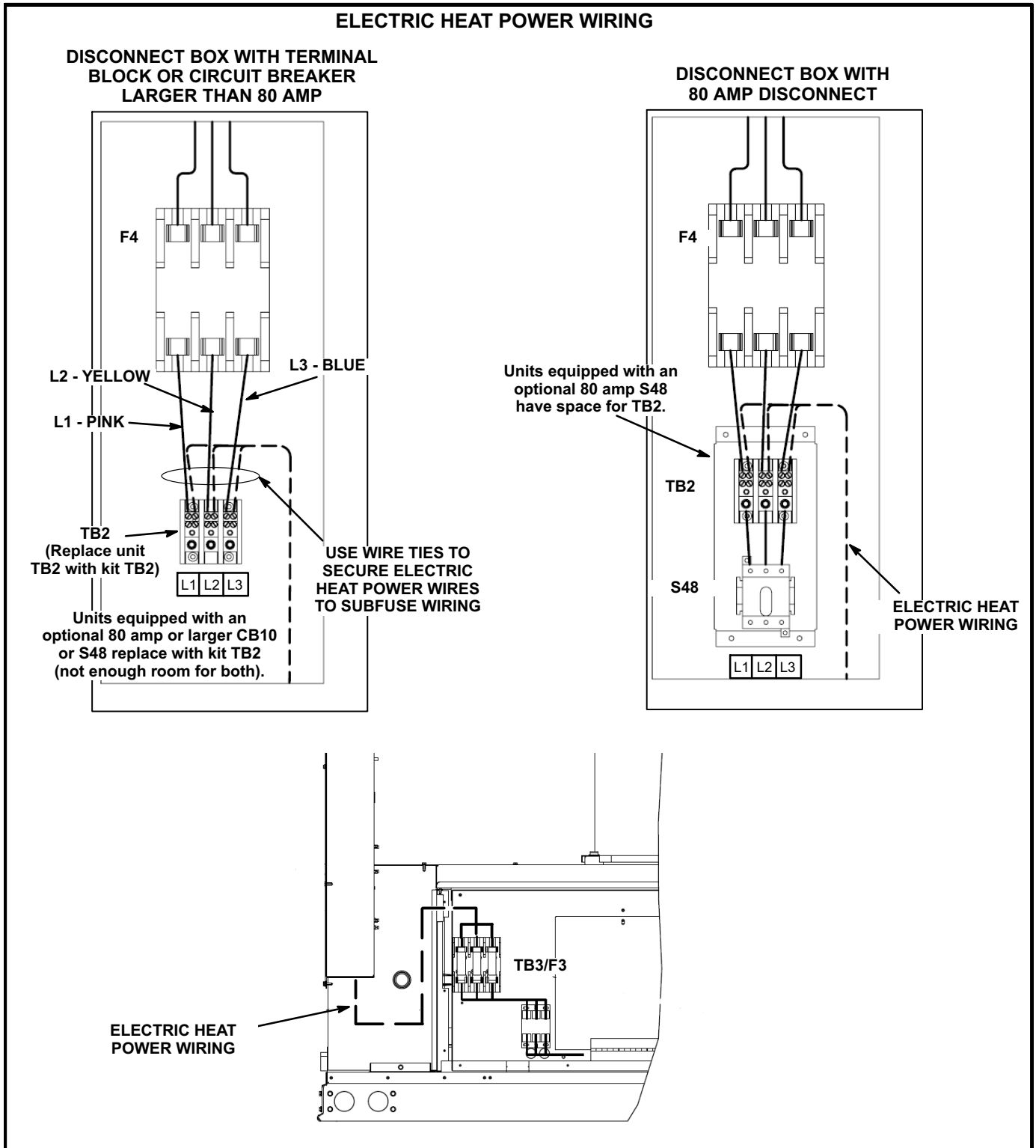


FIGURE 3

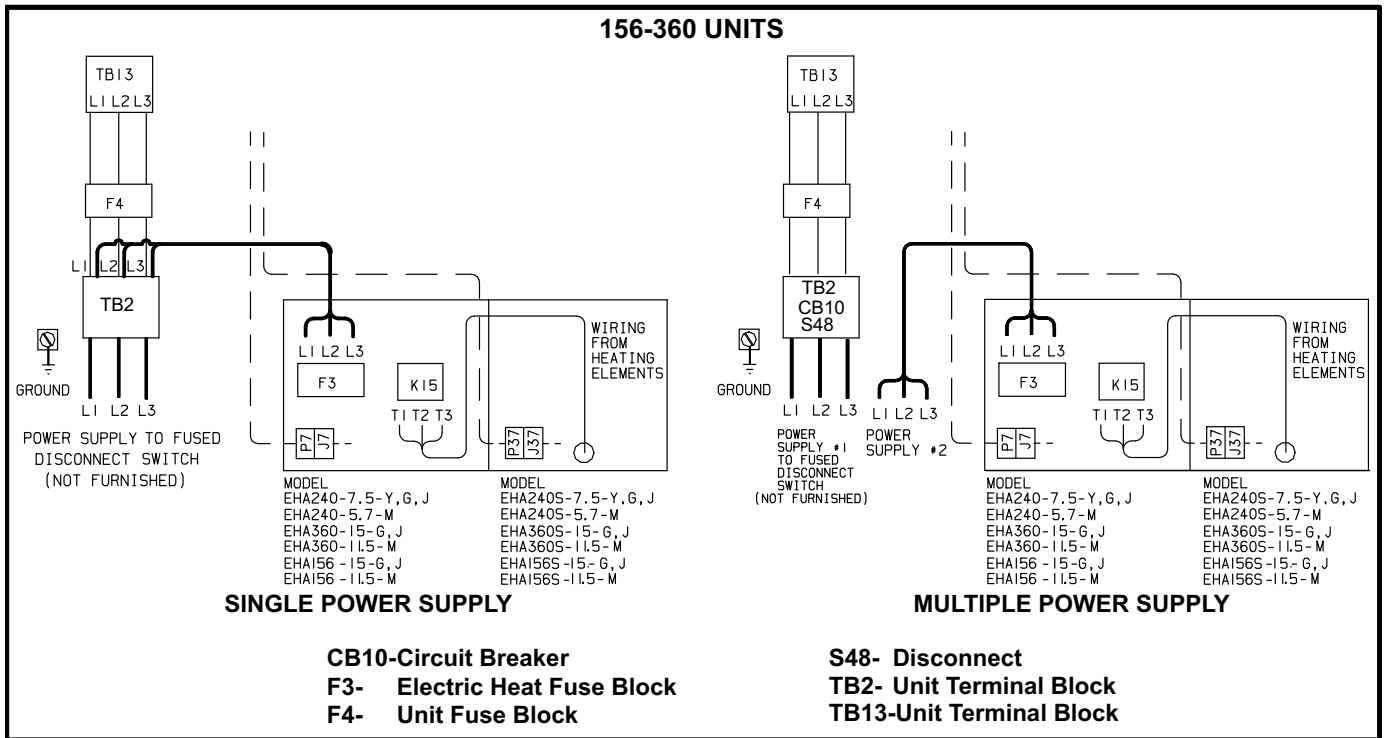
**Power Wiring**

- 1- Review heater installed nameplate for MCA values and enlarge power entry knockouts as needed.
- 2- Connect electric heat power wiring to unit terminal block TB2 as shown in figure 4. Also see figure 5, 6, or 7 depending on the options included on the electric heat assembly.

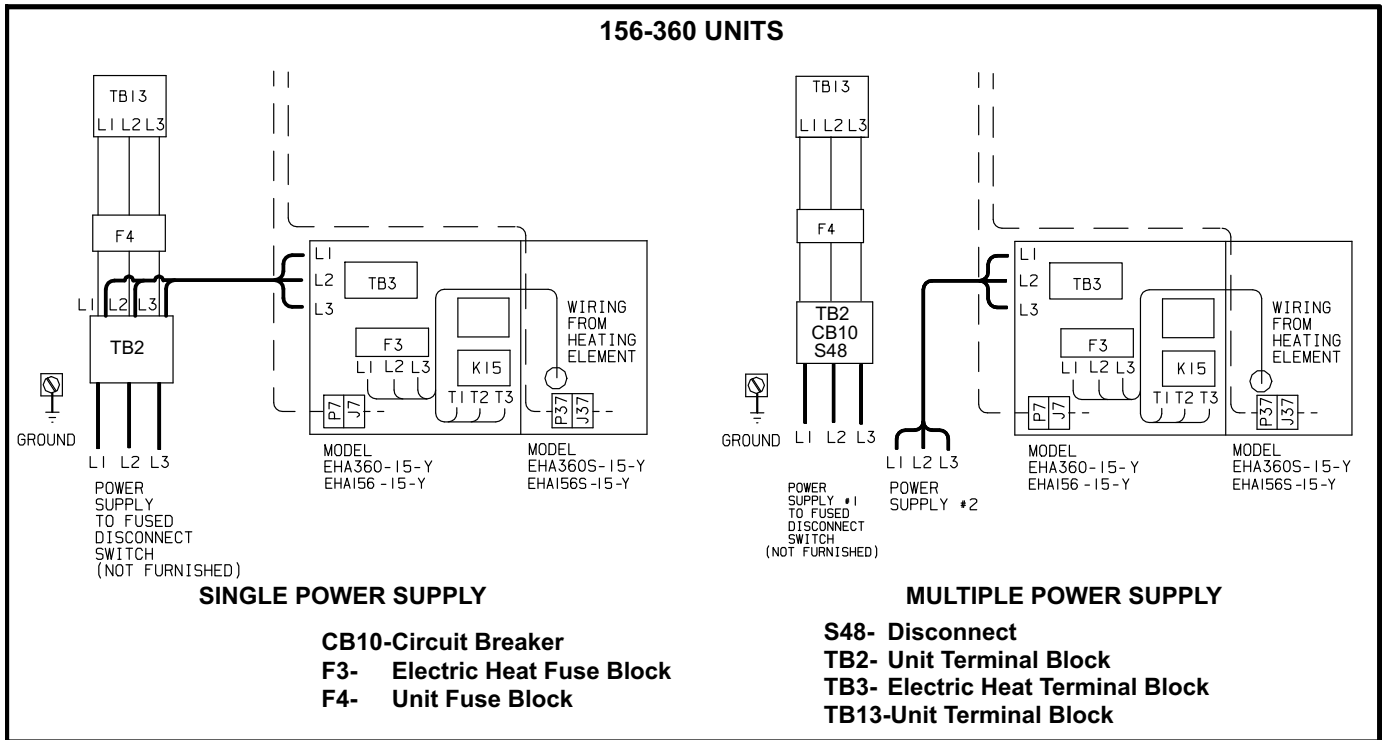
- 3- Route the other side of the electric heat power wiring through the bottom of the disconnect box and the side of the electric heat compartment. Connect power wiring to electric heat fuse block F3 or electric heat terminal block TB3. See figure 4.



**FIGURE 4**



**FIGURE 5**



**FIGURE 6**

156-360 UNITS

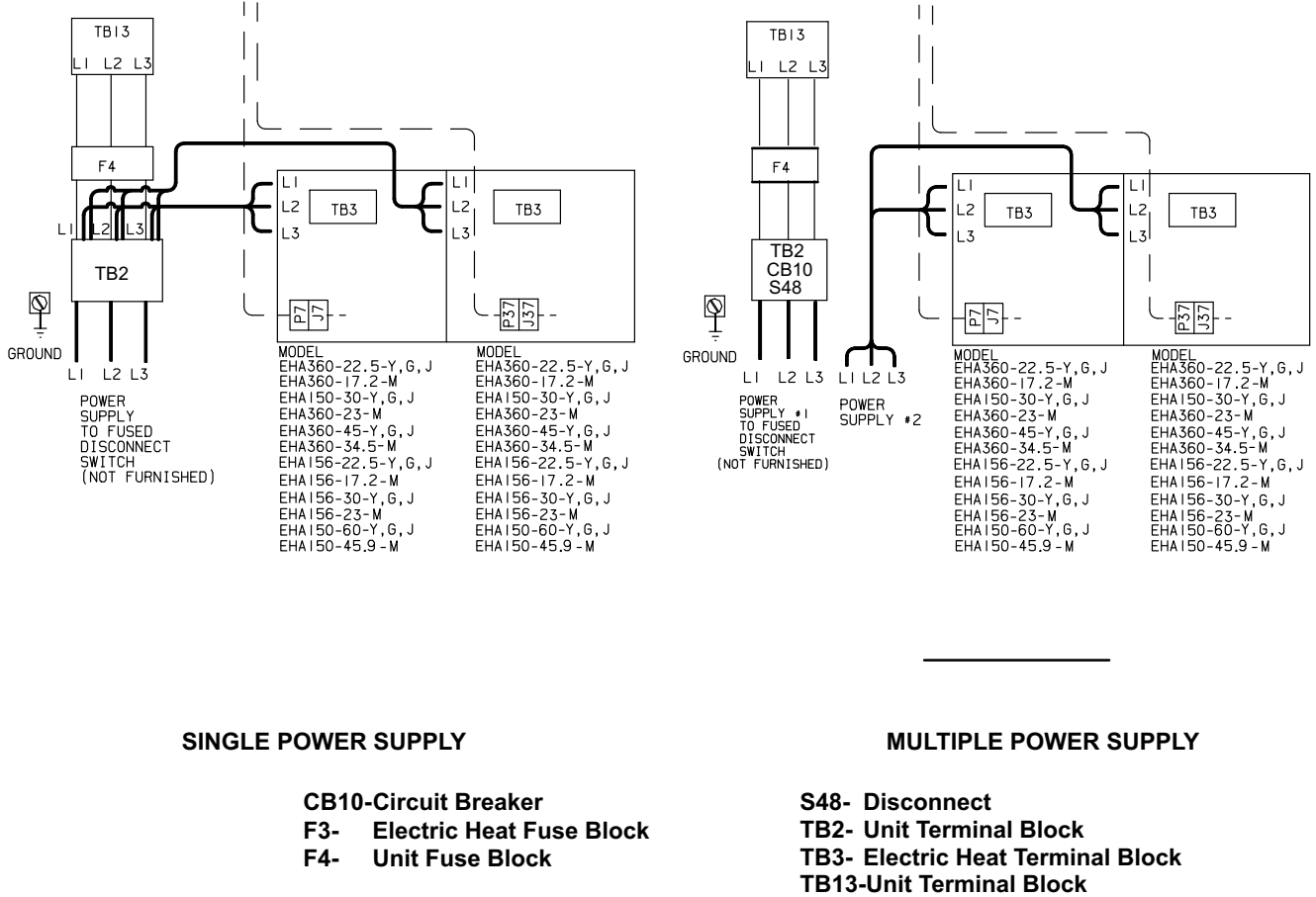


FIGURE 7



## Electric Heat Door Assembly

### KC/KH Units With Non-Hinged Access Doors Only

- 1- Install electric heat door assembly after electric heat assembly and wiring is completed.
- 2- Remove the front middle and right side mullions as shown in figure 8.

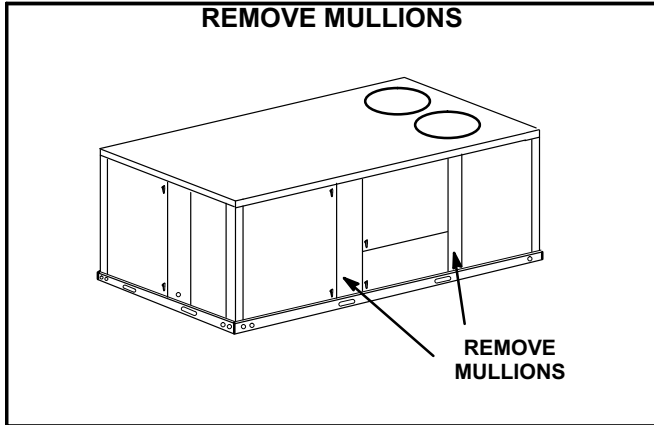


FIGURE 8

- 3- Remove the screw installed in the upper left corner of the left electric heat section. Position electric heat door assemblies in the electric heat openings as shown in figure 9. Make sure the doors open in the directions indicated.
- 4- Secure each door from the inside of the compartment as shown in figure 9. Secure with #10 sheet metal screws provided. Replace the screw which was removed in the previous step.
- 5- Make sure the hinged doors open and close properly. Adjust hinges if necessary.

### Blower Speed Requirements

EHA electric heater applications require specific blower air volumes. Refer to page 10 for LCH/KC/KH156, 180, 210, 240, 300S proper blower speeds and page 11 for LCH242, 300H, 360 proper blower speeds.

*Note - Minimum air requirements are shown in tables; do not set CFM lower than minimum CFM listed.*

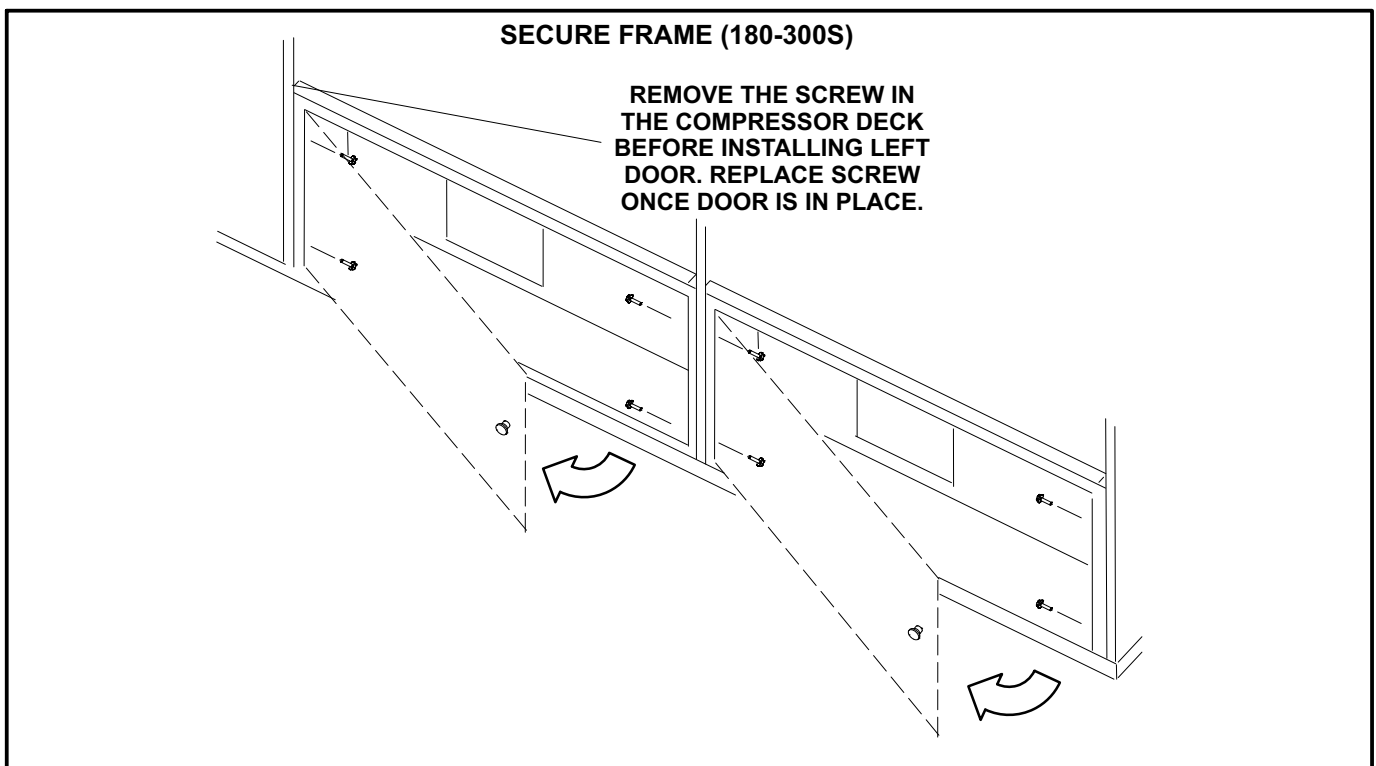


FIGURE 9

## BLOWER DATA - 156, 180, 210, 240, 300S

BLOWER TABLE INCLUDES RESISTANCE FOR BASE UNIT ONLY WITH DRY INDOOR COIL & AIR FILTERS IN PLACE FOR ALL UNITS ADD:

- 1 - Wet indoor coil air resistance of selected unit.
- 2 - Any factory installed options air resistance (electric heat, economizer, etc.)
- 3 - Any field installed accessories air resistance (electric heat, duct resistance, diffuser, etc.)

2750 and 3000 CFM pertain to LCH units only.

### MINIMUM AIR VOLUME REQUIRED FOR USE WITH OPTIONAL ELECTRIC HEAT

LCH156H units require 5200 cfm minimum air with electric heat.

All other units require 6000 cfm minimum air with electric heat.

Air Volume cfm	TOTAL STATIC PRESSURE - Inches Water Gauge (Pa)																									
	0.20		0.40		0.60		0.80		1.00		1.20		1.40		1.60		1.80		2.00		2.20		2.40		2.60	
	RPM	BHP	RPM	BHP	RPM	BHP	RPM	BHP	RPM	BHP	RPM	BHP	RPM	BHP	RPM	BHP	RPM	BHP	RPM	BHP	RPM	BHP	RPM	BHP	RPM	BHP
2750	385	0.30	505	0.50	600	0.70	680	0.90	755	1.10	820	1.30	880	1.50	950	1.70	1005	1060	1110	1160	1210	1260	1310	1360	1410	1460
3000	395	0.35	515	0.55	610	0.75	685	1.00	760	1.20	825	1.45	890	1.70	955	2.00	1015	1070	1120	1170	1220	1270	1320	1370	1420	1470
3250	405	0.40	520	0.60	615	0.85	695	1.10	765	1.30	830	1.60	900	1.85	970	2.15	985	1040	1090	1140	1190	1240	1290	1340	1390	1440
3500	415	0.45	530	0.70	620	0.95	700	1.20	775	1.45	840	1.70	910	2.00	975	2.30	995	1050	1100	1150	1200	1250	1300	1350	1400	1450
3750	425	0.50	540	0.75	630	1.05	710	1.30	780	1.60	845	1.85	915	2.15	985	2.45	1005	1060	1110	1160	1210	1260	1310	1360	1410	1460
4000	435	0.55	545	0.85	635	1.10	715	1.40	785	1.70	850	2.00	920	2.30	995	2.60	1020	1075	1125	1175	1225	1275	1325	1375	1425	1475
4250	445	0.60	555	0.90	645	1.25	725	1.55	795	1.85	855	2.15	925	2.45	1000	2.75	1030	1085	1135	1185	1235	1285	1335	1385	1435	1485
4500	455	0.70	565	1.00	655	1.35	730	1.65	800	2.00	865	2.35	935	2.65	1010	3.00	1040	1095	1145	1195	1245	1295	1345	1395	1445	1495
4750	470	0.75	575	1.10	660	1.45	740	1.80	810	2.15	870	2.50	940	2.80	1015	3.15	1045	1100	1150	1200	1250	1300	1350	1400	1450	1500
5000	480	0.85	585	1.25	670	1.60	750	1.95	815	2.30	880	2.70	940	3.05	995	3.40	1045	1100	1150	1200	1250	1300	1350	1400	1450	1500
5250	495	0.95	595	1.35	680	1.70	755	2.10	825	2.50	890	2.90	945	3.25	1000	3.65	1050	1105	1155	1205	1255	1305	1355	1405	1455	1505
5500	505	1.05	605	1.45	690	1.85	765	2.25	835	2.65	895	3.05	955	3.45	1010	3.85	1060	1115	1165	1215	1265	1315	1365	1415	1465	1515
5750	520	1.15	615	1.60	700	2.00	775	2.45	840	2.85	905	3.25	960	3.65	1015	4.10	1065	1120	1170	1220	1270	1320	1370	1420	1470	1520
6000	530	1.30	630	1.75	710	2.15	785	2.60	850	3.05	910	3.45	970	3.90	1025	4.35	1075	1130	1180	1230	1280	1330	1380	1430	1480	1530
6250	545	1.40	640	1.90	720	2.35	795	2.80	860	3.25	920	3.70	975	4.15	1030	4.60	1080	1135	1185	1235	1285	1335	1385	1435	1485	1535
6500	560	1.55	650	2.05	730	2.50	805	3.00	870	3.45	930	3.95	985	4.40	1040	4.85	1090	1145	1195	1245	1295	1345	1395	1445	1495	1545
6750	570	1.70	665	2.20	745	2.70	815	3.20	880	3.70	940	4.20	995	4.65	1045	5.10	1095	1150	1200	1250	1300	1350	1400	1450	1500	1550
7000	585	1.85	675	2.35	755	2.90	825	3.40	890	3.95	950	4.45	1005	4.95	1055	5.40	1105	1160	1210	1260	1310	1360	1410	1460	1510	1560
7250	600	2.00	690	2.60	765	3.10	835	3.65	900	4.15	955	4.65	1015	5.25	1065	5.75	1115	1170	1220	1270	1320	1370	1420	1470	1520	1570
7500	615	2.20	700	2.75	775	3.30	845	3.85	910	4.45	965	4.95	1020	5.50	1075	6.05	1125	1180	1230	1280	1330	1380	1430	1480	1530	1580
7750	630	2.40	715	3.00	790	3.55	855	4.10	920	4.70	975	5.25	1030	5.80	1080	6.35	1130	1185	1235	1285	1335	1385	1435	1485	1535	1585
8000	640	2.55	725	3.20	800	3.80	865	4.35	930	4.95	985	5.50	1040	6.10	1090	6.70	1140	1195	1245	1295	1345	1395	1445	1495	1545	1595
8250	655	2.80	740	3.40	810	4.00	880	4.65	940	5.25	995	5.85	1050	6.45	1100	7.05	1150	1205	1255	1305	1355	1405	1455	1505	1555	1605
8500	670	3.00	750	3.65	825	4.30	890	4.90	950	5.55	1005	6.15	1060	6.80	1110	7.40	1160	1215	1265	1315	1365	1415	1465	1515	1565	1615
8750	685	3.25	765	3.90	835	4.55	900	5.20	960	5.85	1015	6.45	1070	7.15	1120	7.75	1165	1220	1270	1320	1370	1420	1470	1520	1570	1620
9000	700	3.50	780	4.20	850	4.85	910	5.50	970	6.15	1025	6.80	1080	7.50	1130	8.15	1175	1230	1280	1330	1380	1430	1480	1530	1580	1630
9250	715	3.75	790	4.45	860	5.15	925	5.85	985	6.55	1040	7.20	1090	7.85	1140	8.55	1185	1240	1290	1340	1390	1440	1490	1540	1590	1640
9500	730	4.00	805	4.75	875	5.45	935	6.15	995	6.90	1050	7.60	1100	8.25	1150	8.95	1195	1250	1300	1350	1400	1450	1500	1550	1600	1650
9750	745	4.30	820	5.05	885	5.75	950	6.55	1005	7.20	1060	7.95	1110	8.65	1160	9.40	1205	1260	1310	1360	1410	1460	1510	1560	1610	1660
10,000	760	4.60	835	5.40	900	6.15	960	6.85	1015	7.60	1070	8.35	1120	9.05	1170	9.80	1215	1270	1320	1370	1420	1470	1520	1570	1620	1670
10,250	775	4.90	845	5.65	910	6.45	970	7.20	1030	8.00	1080	8.75	1135	9.55	1180	10.25	1225	1280	1330	1380	1430	1480	1530	1580	1630	1680
10,500	790	5.20	860	6.00	925	6.85	985	7.65	1040	8.40	1095	9.20	1145	10.00	1190	10.70	1235	1290	1340	1390	1440	1490	1540	1590	1640	1690
10,750	805	5.55	875	6.40	940	7.25	1000	8.05	1055	8.85	1105	9.65	1155	10.45	1200	11.20	1245	1300	1350	1400	1450	1500	1550	1600	1650	1700
11,000	820	5.90	890	6.80	950	7.60	1010	8.45	1065	9.30	1115	10.05	1165	10.90	1210	11.65	1255	1310	1360	1410	1460	1510	1560	1610	1660	1710

## BLOWER DATA - 242, 300H, 360

BLOWER TABLE INCLUDES RESISTANCE FOR BASE UNIT ONLY WITH DRY INDOOR COIL & AIR FILTERS IN PLACE FOR ALL UNITS ADD:

- 1 - Wet indoor coil air resistance of selected unit.
- 2 - Any factory installed options air resistance (electric heat, economizer, etc.)
- 3 - Any field installed accessories air resistance (electric heat, duct resistance, diffuser, etc.)

### MINIMUM AIR VOLUME REQUIRED FOR USE WITH OPTIONAL ELECTRIC HEAT

All units require 10,500 cfm minimum air with electric heat.

Air Volume cfm	TOTAL STATIC PRESSURE - In. w.g.																									
	0.20		0.40		0.60		0.80		1.00		1.20		1.40		1.60		1.80		2.00		2.20		2.40		2.60	
	RPM	BHP	RPM	BHP	RPM	BHP	RPM	BHP	RPM	BHP	RPM	BHP	RPM	BHP	RPM	BHP	RPM	BHP	RPM	BHP	RPM	BHP	RPM	BHP	RPM	BHP
4000	372	0.26	433	0.65	497	0.99	565	1.27	630	1.54	687	1.79	738	2.04	784	2.30	824	2.56	861	2.82	897	3.10	932	3.40	968	3.68
4500	382	0.41	441	0.79	506	1.12	574	1.41	638	1.69	694	1.95	744	2.22	790	2.50	831	2.77	868	3.05	903	3.35	938	3.66	974	4.01
5000	392	0.56	451	0.93	516	1.25	584	1.55	646	1.85	702	2.12	751	2.41	796	2.70	837	3.00	874	3.30	909	3.61	944	3.93	980	4.30
5500	402	0.73	462	1.08	527	1.40	594	1.72	655	2.02	710	2.31	758	2.61	802	2.92	843	3.24	880	3.56	916	3.88	951	4.22	987	4.60
6000	414	0.89	473	1.24	539	1.56	605	1.90	665	2.21	718	2.51	766	2.83	809	3.16	850	3.51	887	3.84	922	4.18	957	4.52	994	4.91
6500	426	1.07	486	1.41	551	1.74	616	2.10	675	2.42	727	2.73	774	3.07	817	3.43	857	3.80	894	4.15	929	4.49	964	4.85	1001	5.24
7000	439	1.26	499	1.60	565	1.93	628	2.31	685	2.64	737	2.97	782	3.34	825	3.72	864	4.11	901	4.48	937	4.83	971	5.19	1008	5.59
7500	453	1.46	513	1.79	579	2.14	641	2.55	696	2.88	747	3.24	792	3.63	833	4.04	872	4.45	909	4.83	945	5.20	979	5.56	1016	5.97
8000	467	1.66	528	2.00	593	2.38	653	2.81	708	3.15	757	3.53	801	3.95	843	4.39	881	4.82	918	5.22	953	5.59	988	5.96	1025	6.37
8500	483	1.88	544	2.22	608	2.65	667	3.10	720	3.44	768	3.85	812	4.30	852	4.78	890	5.22	927	5.63	962	6.01	997	6.39	1034	6.81
9000	499	2.11	561	2.47	624	2.95	681	3.41	733	3.76	780	4.20	823	4.69	862	5.19	900	5.65	936	6.07	972	6.46	1007	6.85	1044	7.28
9500	516	2.36	578	2.75	640	3.26	696	3.73	746	4.10	792	4.58	834	5.11	873	5.64	910	6.12	946	6.54	982	6.93	1018	7.34	1055	7.78
10,000	534	2.64	596	3.06	657	3.60	711	4.07	760	4.48	805	5.00	845	5.57	884	6.12	921	6.61	957	7.03	992	7.43	1028	7.86	1066	8.32
10,500	553	2.93	615	3.39	674	3.95	727	4.44	775	4.90	817	5.46	857	6.06	895	6.62	932	7.12	967	7.55	1003	7.96	1039	8.40	1077	8.89
11,000	572	3.24	634	3.74	692	4.31	744	4.83	789	5.35	830	5.95	869	6.58	907	7.16	943	7.65	978	8.09	1013	8.51	1050	8.98	1089	9.49
11,500	592	3.58	653	4.12	711	4.70	760	5.27	803	5.85	843	6.49	881	7.13	918	7.71	954	8.21	989	8.65	1025	9.10	1062	9.59	1101	10.12
12,000	613	3.95	674	4.53	729	5.14	776	5.75	818	6.39	857	7.06	894	7.71	930	8.30	965	8.80	1000	9.25	1036	9.71	1073	10.22	1112	10.77
12,500	635	4.37	695	4.98	748	5.62	792	6.29	832	6.98	870	7.67	906	8.33	941	8.91	976	9.42	1011	9.87	1048	10.35	1085	10.86	1124	11.42
13,000	657	4.83	715	5.50	766	6.18	808	6.89	847	7.61	883	8.32	918	8.98	953	9.56	988	10.06	1023	10.52	1059	11.00	1095	11.53	1132	12.10
13,500	680	5.35	736	6.06	784	6.78	824	7.53	861	8.29	896	9.00	930	9.66	965	10.24	1000	10.74	1035	11.20	1070	11.73	1105	12.21	1142	12.70
14,000	704	5.92	757	6.67	801	7.44	839	8.23	875	9.00	909	9.72	943	10.38	977	10.94	1012	11.43	1046	11.91	1080	12.40	1114	12.90	1151	13.20
14,500	727	6.55	777	7.34	818	8.16	854	8.97	889	9.75	922	10.48	955	11.12	988	11.70	1020	12.12	1053	12.59	1086	13.07	1120	13.56	1157	13.70
15,000	750	7.23	797	8.07	834	8.92	868	9.75	902	10.54	935	11.26	968	11.94	1001	12.54	1034	13.12	1066	13.59	1099	14.07	1132	14.56	1165	14.80

## Set Unit Controller

Set the Unit Controller using one of the following menus. M2 or M3 is printed near the bottom of the Unit Controller by the SBUS connector. Refer to the Unit Controller manual provided with each rooftop unit.

### M2 Unit Controller

Use this menu to enable the appropriate number of electric heat stages.

SETTINGS > INSTALL > ELECTRIC HEAT STAGES

### M3 Unit Controller

The Unit Controller configuration I.D. must be set to identify that electric heat has been installed.

*Note - The number of electric heat stages do not have to be entered with version 08 and later.*

- 1- Use the Unit Controller keypad to enter the following menu:

MAIN MENU > SETUP > INSTALL

- 2- Press SAVE until CONFIGURATION ID 2 appears. Change the 9th digit to specify the electric heat installed as follows:

N = No electric heat

E = 15 kW

J = 30 kW

K = 45 kW

L = 60 kW

P = 90 kW

S = 120 kW

- 3- Press SAVE. The Unit Controller is now set up to operate electric heat.

## Heating Operation

Cooling Units:

Single Stage (15 & 30 KW)

A W1 thermostat demand will energize the first stage of electric heat.

Two Stage (45, 60, 90 & 120 KW)

A W1 thermostat demand will energize the first stage of electric heat. A W2 thermostat demand will energize the second stage of electric heat after a 30 second delay.

Heat Pump Units:

A W1 thermostat demand will energize both compressors in heating mode (reversing valves are not energized). A W2 thermostat demand will energize the first stage of electric heat in addition to compressors operating in heat pump mode. For 45 through 90KW electric heat, the second stage of electric heat will be energized after a 30-second delay.

## Unit Start-Up (Heating Cycle)

Set room thermostat for proper heat or auto operation if switching subbase is used. Apply power to unit and position heat setpoint lever above room temperature. Refer to unit installation instructions for additional information on start-up operations and adjustments.