

**INSTALLATION INSTRUCTIONS FOR DRAIN PAN OVERFLOW SWITCH KIT
(610194-01; 99W59) USED WITH ZG/ZC/ZH 036-150 UNITS**

Shipping and Packing List

Package 1 of 1 contains:

1- Mounting bracket

Bag assembly containing:

1-Overflow (electronic) switch (S149)

3-Screw-in wire ties

1-Push-in wire tie

4-Screws

⚠ WARNING

Improper installation, adjustment, alteration, service or maintenance can cause property damage, personal injury or loss of life. Installation and service must be performed by a licensed professional HVAC installer or equivalent, service agency, or the gas supplier

⚠ CAUTION

Danger of sharp metallic edges. Can cause injury. Take care when servicing unit to avoid accidental contact with sharp edges.

Application

The electronic overflow switch is used to interrupt cooling operation when excessive condensate collects in the drain pan. The electronic condensate overflow switch contains low power consuming microelectronics. The logic circuit continuously samples the probes for water. The overflow switch is wired in series with the Y1 thermostat circuit on 036-060 units and in series with the T1 transformer on 092-150 units. If water is detected, the circuit determines if the condition is transient or permanent. If permanent, 24VAC power is interrupted to Y1 or T1 and unit compressor is de-energized. Once the condensate level drops below the set level, the switch will close and allow power via Y1 or T1.

Installation

- 1- Disconnect all electrical power to unit.
- 2- Remove panel covering the heat and blower sections.
- 3- Secure overflow switch to bracket. See figure 1.

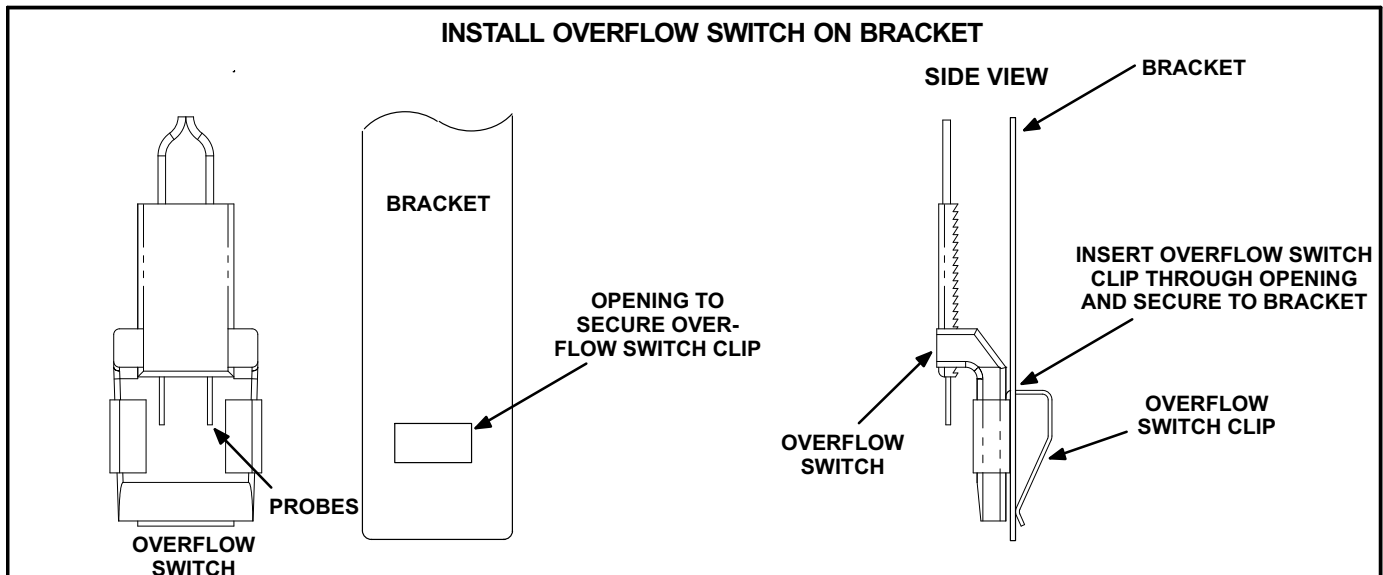


FIGURE 1



4- 036-060 Units -

Install bracket behind blower deck as shown in figure 2 and 3. Position bracket 1-1/2" from unit side panel.

092-150 Units -

Remove foil tape covering two holes in blower deck. See figure 4. Align holes on bracket with holes on blower deck. Secure bracket to blower deck with two screws.

5- Route wiring to control box as shown in figure 3 for 036-060 units and figure 4 for 092-150 units.

6- Make wire connections as shown in figure 5.

7- Reinstall panels and restore power to unit.

8- Use instruction provided with sensor to adjust the height of the sensor on the bracket as needed.

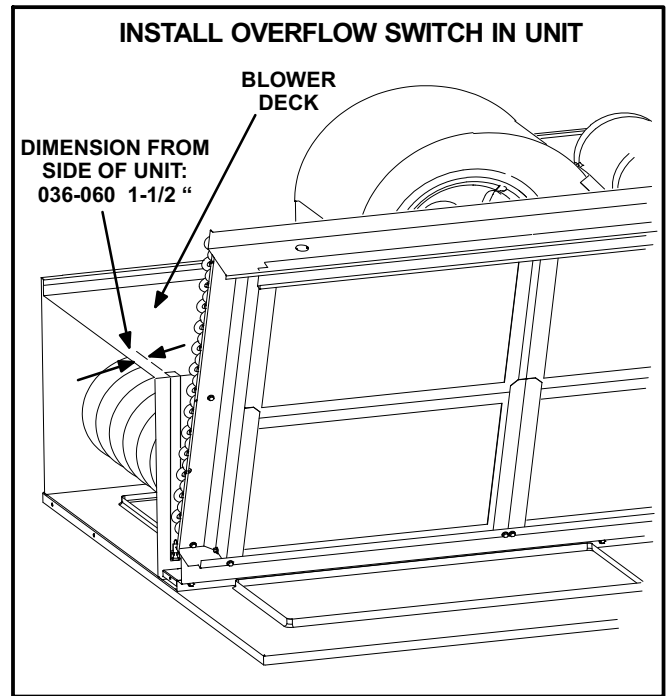


FIGURE 2

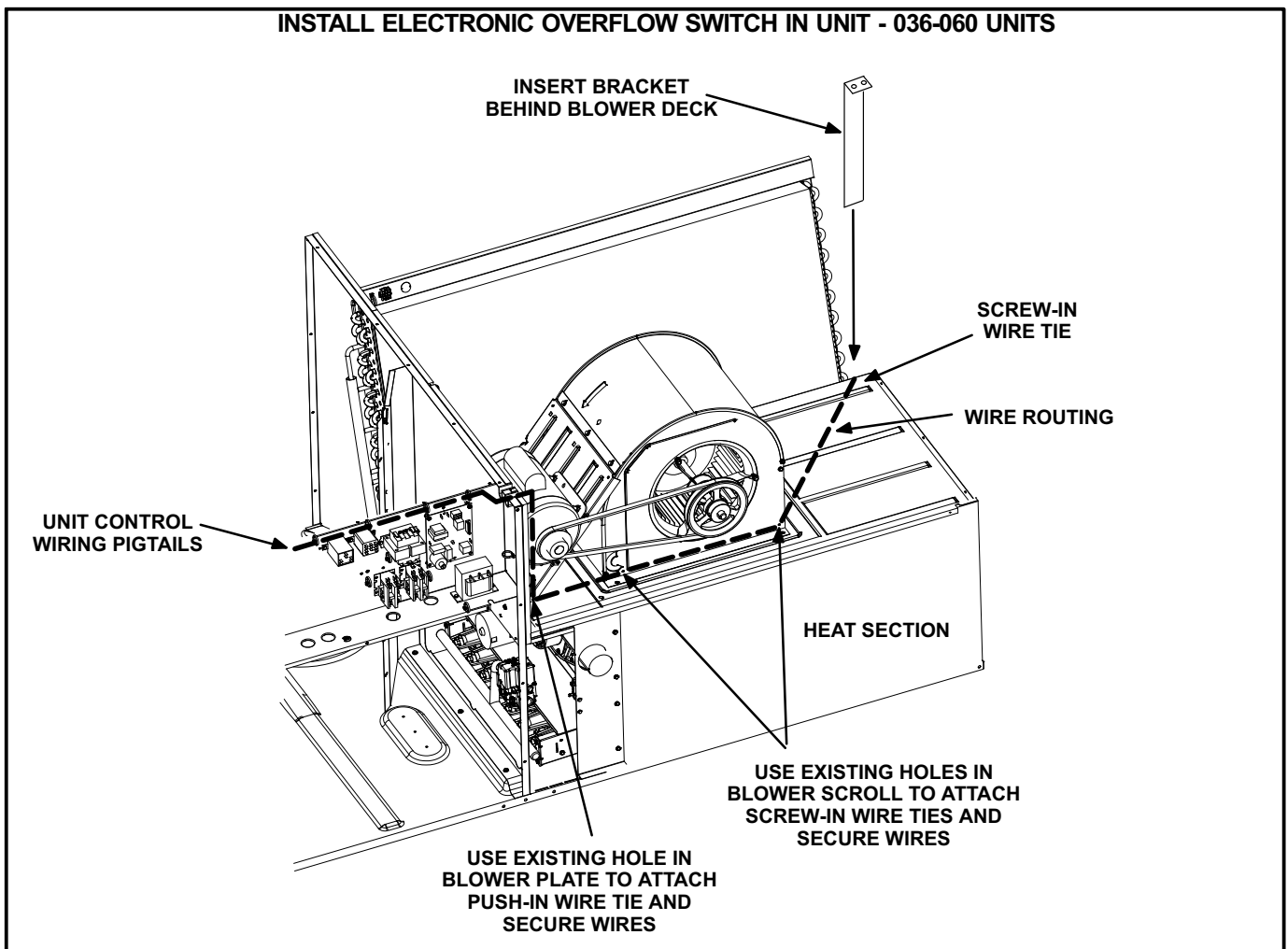


FIGURE 3

INSTALL ELECTRONIC OVERFLOW SWITCH IN UNIT - 092-150 UNITS

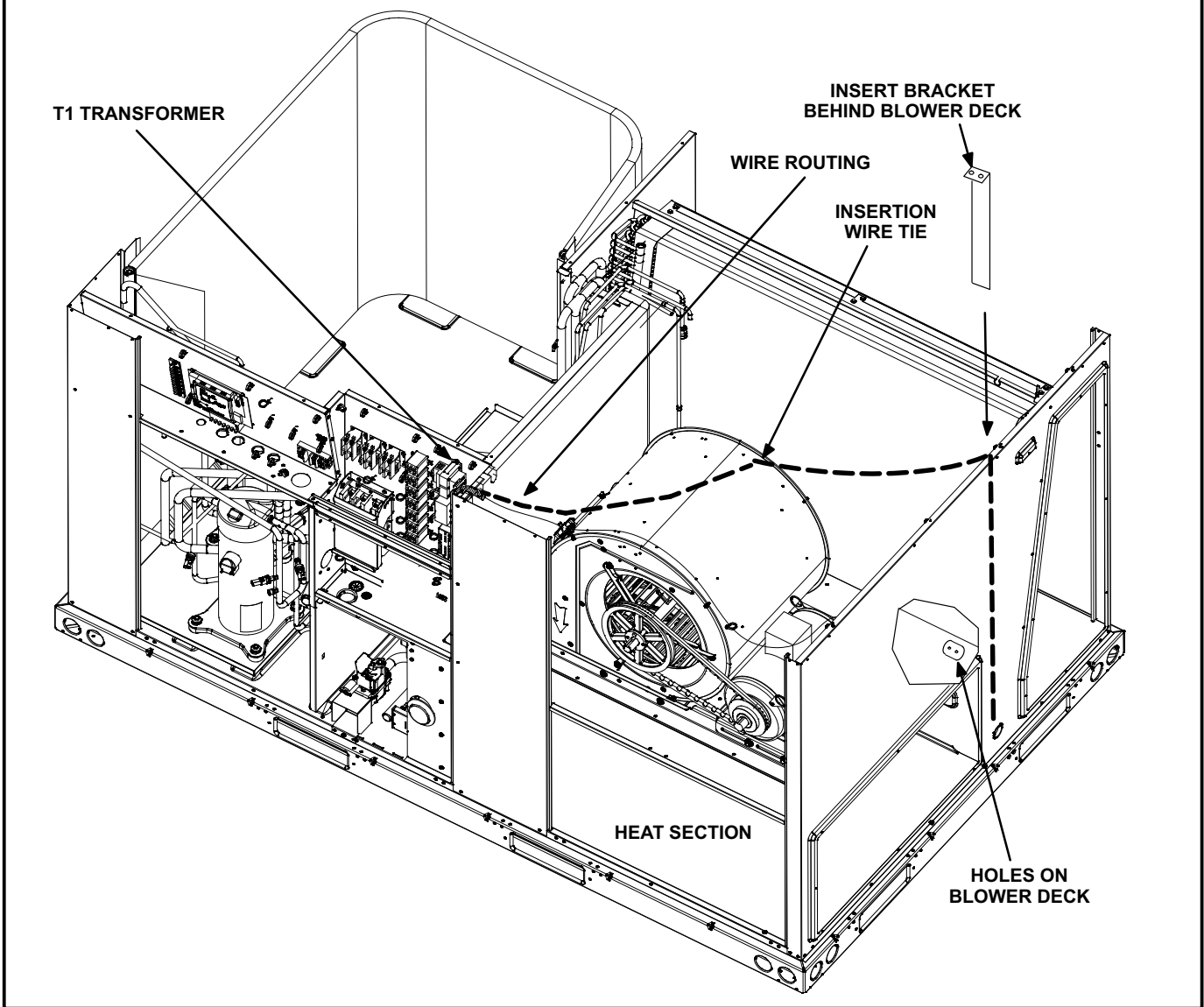


FIGURE 4

WIRING WITHOUT OVERFLOW SWITCH

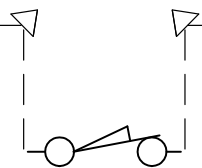
Y1 THERMOSTAT WIRE
(036-060) OR
24V WIRE ON T1
TRANSFORMER
(092-150)



Y1 CONTROL PIGTAIL IN
UNIT (036-060) OR
OTHER END OF T1
TRANSFORMER WIRE
(092-150)

WIRING WITH OVERFLOW SWITCH INSTALLED

Y1 THERMOSTAT WIRE
(036-060) OR
24V WIRE ON T1
TRANSFORMER
(092-150)



S149 OVERFLOW
SWITCH

Y1 CONTROL PIGTAIL IN
UNIT (036-060) OR
OTHER END OF T1
TRANSFORMER WIRE
(092-150)

FIGURE 5