



**COMMERCIAL  
PRODUCT SPECIFICATIONS**

Bulletin No. 310557  
July 2021  
Supersedes May 2021

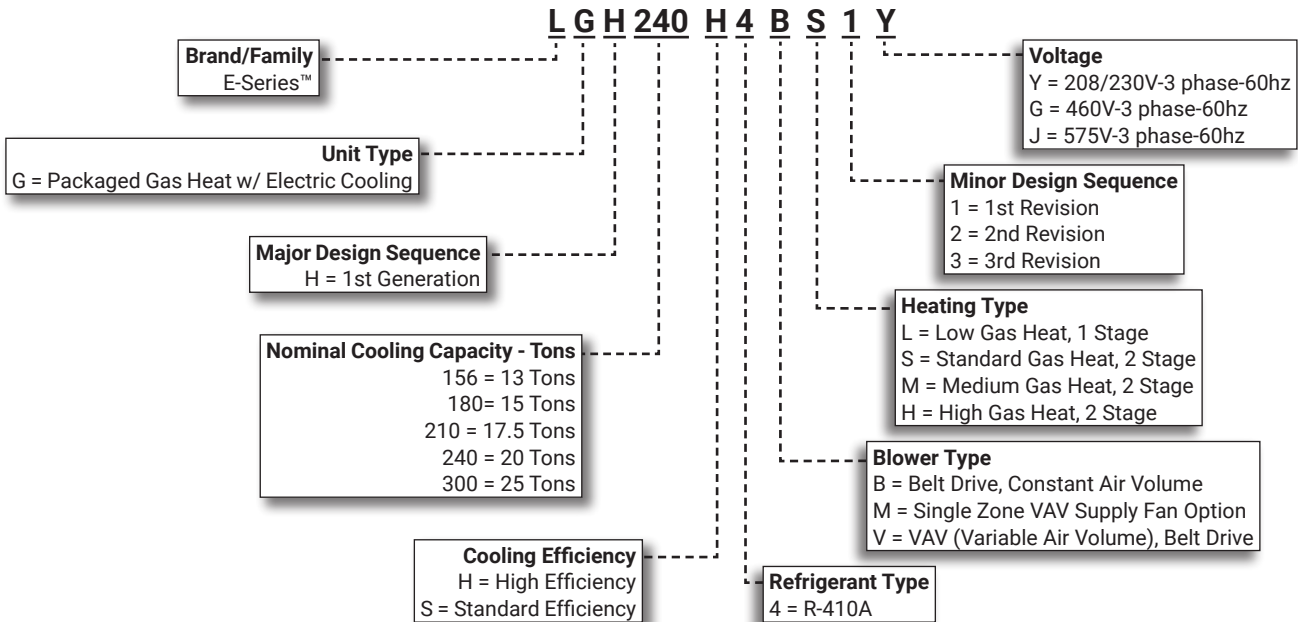


**ASHRAE 90.1  
COMPLIANT**



**13 to 25 Tons**  
**Net Cooling Capacity - 148,000 to 270,000 Btuh**  
**Gas Input Heat Capacity - 169,000 to 480,000 Btuh**

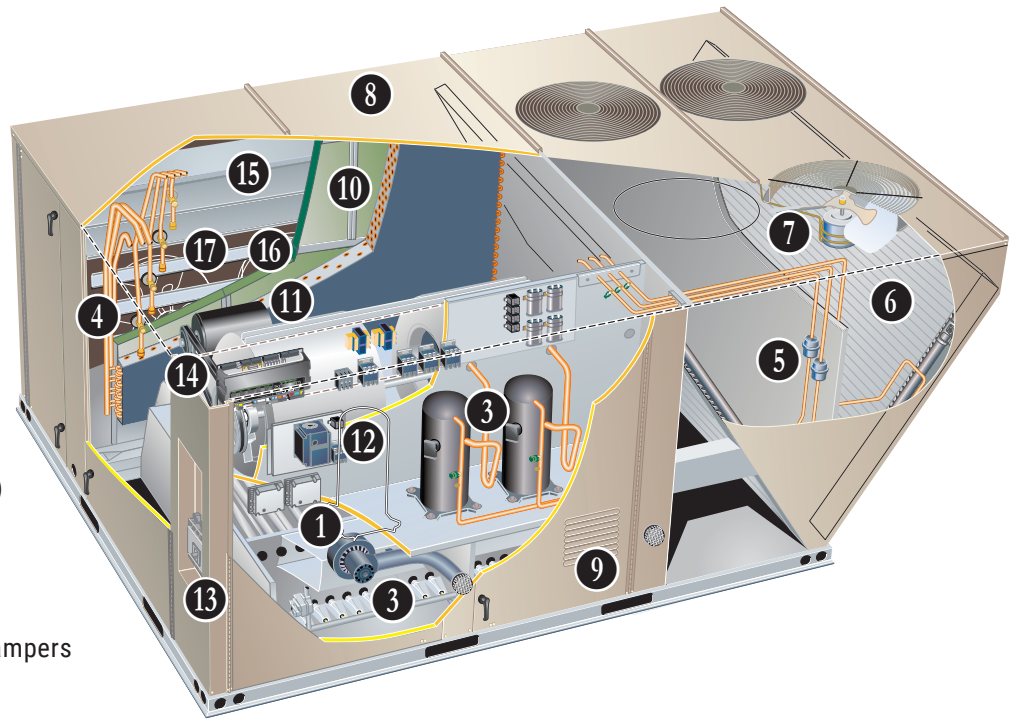
**MODEL NUMBER IDENTIFICATION**



## FEATURE HIGHLIGHTS

E-Series™ packaged rooftop unit product line was created to save energy with intelligence by offering some of the highest energy efficiency ratings available with a powerful, easy to use unit controller. This makes E-Series™ rooftop units perfect for business owners looking for an HVAC product with the lowest total cost of ownership.

1. Heat Exchanger
2. Inshot Burners
3. Scroll Compressors
4. Thermal Expansion Valves
5. Filter/Driers
6. Eco-Last™ Coil System
7. Outdoor Coil Fan Motors
8. Heavy Gauge Steel Cabinet
9. Hinged Access Panels
10. Air Filters
11. Constant or Single Zone VAV Air Volume Blower
12. Variable Frequency Drive (VFD)
13. Disconnect Switch (option)
14. Intelli-Guide™ Control System
15. Economizer (option)
16. Downflow Barometric Relief Dampers (option)
17. Power Exhaust Fans (option)



## CONTENTS

Approvals And Warranty . . . . .	3
Blower Data . . . . .	46
Control System . . . . .	9
Dimensions - Optional Accessories . . . . .	57
Dimensions - Unit . . . . .	54
Electrical Data . . . . .	49
Features And Benefits . . . . .	3
High Altitude Derate . . . . .	33
Dehumidification System Option . . . . .	13
Dehumidification System Ratings . . . . .	43
Model Number Identification . . . . .	1
Options / Accessories . . . . .	25
Outdoor Sound Data . . . . .	52
Ratings . . . . .	34
Sequence Of Operation . . . . .	17
Specifications . . . . .	29
Specifications - Gas Heat . . . . .	33
Weight Data . . . . .	53

## APPROVALS AND WARRANTY

### APPROVALS

- AHRI Standard 340/360 certified
- ETL and CSA listed
- CSA certified energy ratings
- Unit and components ETL, NEC and CEC bonded for grounding to meet safety standards for servicing
- All models are ASHRAE 90.1-2010 energy efficiency compliant and meet or exceed requirements of Section 6.8
- All models meet DOE 2018 energy efficiency standards
- Single Zone VAV models meet California Code of Regulations, Title 24 and ASHRAE 90.1-2010 Section 6.4.3.10 requirements for staged airflow
- ENERGY STAR® certified
- ISO 9001 Registered Manufacturing Quality System

### WARRANTY

- Aluminized Heat Exchanger - Limited ten years
- Stainless Steel Heat Exchanger (optional) - Limited fifteen years
- Compressors - Limited five years
- Allied Eco-Last™ Coil System - Limited three years
- Intelli-Guide™ Unit Controller - Limited three years
- Optional High Performance Economizers - Limited five years
- All other covered components - Limited one year

## FEATURES AND BENEFITS

### HEATING SYSTEM

- 1** Heat Exchanger
  - Tubular construction, aluminized steel
  - Life-cycle tested

**NOTE** - Optional Stainless Steel Heat Exchanger is required if mixed air temperature is below 45°F.

- 2** Aluminized steel inshot burners
  - Direct spark ignition
  - Electronic flame sensor
  - Combustion air inducer
  - Redundant automatic dual stage gas valve with manual shut-off

#### **Electronic Pilot Ignition**

- Electronic spark igniter provides positive direct ignition of burners on each operating cycle
- Permits main gas valve to stay open only when the burners are proven to be lit
- If loss of flame occurs, gas valve closes, shutting off the gas to the burners
- LED indicates status and aids in troubleshooting
- Factory installed in the control section

#### **Limit Controls**

- Redundant limit controls with fixed temperature setting
- Protects heat exchanger and other components from overheating

#### **Safety Switches**

- Flame roll-out switch
- Flame sensor
- Combustion air inducer proving switch
- Protects system operation

#### **Required Selections**

##### **Gas Input Choice - Order one:**

- Low Gas Heat, 1 Stage (169,000 Btuh)
- Standard Gas Heat, 2 Stage (169,000/260,000 Btuh)
- Medium Gas Heat, 2 Stage (234,000/360,000 Btuh)
- High Gas Heat, 2 Stage (312,000/480,000 Btuh)

**NOTE** – Two-stage heat models can be operated with four stages of gas heating when controlled in either zone sensor, Discharge Air Control, or fresh air tempering mode on the Intelli-Guide™ unit controller. See Gas Heating Specifications table.

## FEATURES AND BENEFITS

### HEATING SYSTEM (continued)

#### Options/Accessories

#### Factory Installed

##### Stainless Steel Heat Exchanger

- Required if mixed air temperature is below 45°F

#### Factory or Field Installed

##### Bottom Gas Piping Kit

- Allows bottom gas entry
- Factory installed kit is furnished with the unit for field installation

##### Low Temperature Vestibule Heater

- Electric heater automatically controls minimum temperature in gas burner compartment when temperature is below -40°F
- CSA certified to allow operation of unit down to -60°F

#### Field Installed

##### Combustion Air Intake Extensions

- Recommended for use with existing flue extension kits in areas where high snow areas can block intake air
- Order two kits

##### LPG/Propane Kits

- Conversion kit to field change over units from Natural Gas to LPG/Propane
- Order two kits

##### Vertical Vent Extension Kit

- Use to exhaust flue gases vertically above unit
- Required when unit vent is too close to fresh air intakes per building codes
- Also prevents ice formation on intake louvers
- Kit contains vent transition, vent tee, drain cap and installation hardware
- Order two kits.

**NOTE** - Straight vent pipes (4 in. B-Vent) and caps are not furnished and must be field supplied. Refer to kit instructions for additional information.

### COOLING SYSTEM

- Designed to maximize sensible and latent cooling performance at design conditions
- System can operate from 0°F to 125°F without any additional controls

#### R-410A Refrigerant

- Non-chlorine based
- Ozone-friendly

### 3 Scroll Compressors

- Scroll compressors on all models for high performance, reliability and quiet operation
- Resiliently mounted on rubber grommets for quiet operation

#### Compressor Crankcase Heaters

- Protects against refrigerant migration that can occur during low ambient operation

### 4 Thermal Expansion Valves

- Assures optimal performance throughout the application range
- Removable element head

### 5 Filter/Driers

- High capacity filter/drier protects the system from dirt and moisture

#### High Pressure Switches

- Protects the compressor from overload conditions such as dirty condenser coils, blocked refrigerant flow, or loss of outdoor fan operation

#### Low Pressure Switches

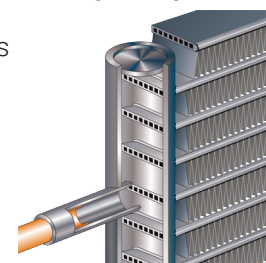
- Protects the compressors from low pressure conditions such as low refrigerant charge, or low/no airflow

#### Freezestats

- Protects the evaporator coil from damaging ice build-up due to conditions such as low/no airflow, or low refrigerant charge

### 6 Condenser Coil - Eco-Last™ Coil System Lightweight, all aluminum brazed fin construction

- Constructed of three components
  - A flat extrusion tube
  - Fins in-between the flat extrusion tube
  - Two refrigerant manifolds



#### Eco-Last™ Coil System Features:

- Improved heat transfer performance due to high primary surface area (flat tubes) versus secondary surface (fins)
- Smaller internal volume (reduced refrigerant charge)
- High durability
- All aluminum construction
- Fewer brazed joints
- Compact design
- Reduced unit weight
- Easy maintenance/cleaning
- Face split design
- Mounting brackets with rubber inserts
- Angled cabinet design protects coil from damage

## FEATURES AND BENEFITS

### COOLING SYSTEM (continued)

#### Evaporator Coil

- Copper tube construction
- Enhanced rippled-edge aluminum fins
- Flared shoulder tubing connections
- Silver soldered construction
- Factory leak tested
- Cross row circuiting with rifled tubing

**NOTE** - Constant air volume (CAV) and Single Zone VAV models have face-split evaporator coils designed to keep condensate water off of an inactive part of the coil so the condensate will not re-enter the air stream.

Variable air volume (VAV) models have row-split, intertwined evaporator coils.

#### Condensate Drain Pan

- Plastic pan, sloped to meet drainage requirements per ASHRAE 62.1
- Side or bottom drain connections

### 7 Outdoor Coil Fan Motors

- Thermal overload protected
- Totally enclosed
- Permanently lubricated ball bearings
- Shaft up
- Wire basket mount

#### Outdoor Coil Fans

- PVC coated fan guard furnished

#### Required Selections

#### Cooling Capacity

- Specify nominal cooling capacity

#### Options/Accessories

### Factory Installed

#### Conventional Fin/Tube Condenser Coil (replaces Eco-Last™ Coil System)

- Copper tube construction
- Enhanced rippled-edge aluminum fins
- Flared shoulder tubing connections
- Silver soldered construction

**NOTE** - Not available for VAV equipped models.

#### Discharge Air Temperature Sensor

- Sensor sends information to the unit controller to cycle up to 2 stages of heating or 4 stages of cooling to maintain the discharge air setpoints for heating or cooling
- Optional for CAV units (single zone or bypass zoning control)
- Furnished with all Variable Air Volume (VAV) units
- Sensor is shipped with the unit for remote field installation in the supply duct

#### Service Valves

- Fully serviceable brass valves installed in discharge & liquid lines

**NOTE** - Not available for units equipped with Eco-Last™ Coil System or Dehumidification option.

### Factory or Field Installed

#### Condensate Drain Trap

- Field installed only
- May be factory enclosed to ship with unit
- Available in copper or PVC

#### Drain Pan Overflow Switch

- Monitors condensate level in drain pan
- Shuts down unit if drain becomes clogged

### CABINET

### 8 Construction

- Heavy-gauge steel panels
- Full perimeter heavy-gauge galvanized steel base rail
- Base rails have rigging holes
- Three sides of the base rail have forklift slots
- Raised edges around duct and power entry openings in the bottom of the unit for water protection

#### Airflow Choice

- Units are shipped in downflow (vertical) return air flow configuration

**NOTE** - Units can be field converted to horizontal air flow with optional Horizontal Return Air Panel Kit and Horizontal Roof Curb.

#### Power/Gas Entry

- Electrical and gas lines can be brought through the unit base or through horizontal access knock-outs

#### Exterior Panels

- Constructed of heavy-gauge, galvanized steel
- Two-layer enamel paint finish

#### Insulation

- Fully insulated with non-hygroscopic fiberglass insulation (conditioned areas)
- Unit base is fully insulated
- Base insulation serves as an air seal to the roof curb, eliminating the need to add a seal during installation

### 9 Hinged Access Panels

- Filter section
- Blower section
- Heating section
- Compressor/controls section
- Panel seals and quarter-turn latching handles provide a tight air and water seal

## FEATURES AND BENEFITS

### CABINET (continued)

#### Required Selections

##### Airflow Configuration

- Specify downflow or horizontal

#### Options/Accessories

### Factory Installed

##### Corrosion Protection

- Completely flexible immersed coating
- Electrodeposited dry film process
- AST ElectroFin E-Coat
- Meets Mil Spec MIL-P-53084, ASTM B117 Standard Method Salt Spray Testing
- Indoor Corrosion Protection:
  - Coated coil
  - - Coated reheat coil (Dehumidification)
  - - Painted blower housing
  - - Painted base
- Outdoor Corrosion Protection:
  - Coated coil
  - Painted outdoor base

### Field Installed

##### Combination Coil/Hail Guards

- Heavy gauge steel frame
- Painted to match cabinet
- Expanded metal mesh protects outdoor coil

##### Horizontal Return Air Panel Kit

- Required for horizontal applications with Horizontal Roof Curb
- Contains panel with return air opening for field replacement of existing unit panel and panel to cover bottom return air opening in unit
- See dimension drawings

### INDOOR AIR QUALITY

#### 10 Air Filters

- Disposable 2 inch filters furnished as standard

#### Options/Accessories

### Factory or Field Installed

##### High Efficiency Air Filters

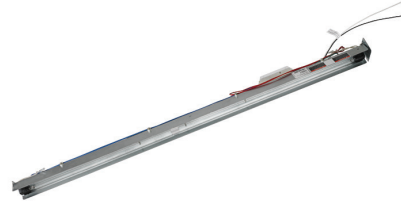
- Disposable MERV 8 or MERV 13 (Minimum Efficiency Reporting Value based on ASHRAE 52.2) efficiency 2 inch pleated filters

##### Replacement Filter Media Kit With Frame

- Replaces existing pleated filter media
- Includes washable metal mesh screen and metal frame with clip for holding replaceable non-pleated filter

### Field Installed

#### UVC Germicidal Light Kit



- Germicidal lamps emit ultra-violet (UV-C) energy, which has been proven to be effective in reducing microbes such as viruses, bacteria, yeasts, and molds
- This process either destroys the organism or controls its ability to reproduce
- UV-C energy greatly reduces the growth and proliferation of mold and other bioaerosols (bacteria and viruses) on illuminated surfaces (particularly coil and drain pan)
- Field installed in the blower/evaporator coil section
- Magnetic safety interlock terminates power when access panels are removed
- All necessary hardware for installation is included
- Lamps operate on 110/230V, 1 phase power supply
- Step-down transformer must be field supplied when used with 460V and 575V rooftop units

**NOTE** - Step-down transformer may be ordered separately for 460V and 575V units.

- Approved by ETL

#### Indoor Air Quality (CO<sub>2</sub>) Sensors

- Monitors CO<sub>2</sub> levels, reports to the Intelli-Guide™ unit controller which adjusts economizer dampers as needed



## FEATURES AND BENEFITS

### **BLOWER**

- A wide selection of supply air blower options are available to meet a variety of airflow requirements

#### **Motor**

- Overload protected, equipped with ball bearings
- Belt drive motors are offered on all models and are available in several different sizes to maximize air performance

**NOTE** - All blower motors 5 hp and above meet minimum energy efficiency standards in accordance with the Energy Independence and Security Act (EISA) of 2007

### **11 Supply Air Blower**

- Forward curved blades
- Double inlet
- Blower wheel statically and dynamically balanced
- Ball bearings
- Adjustable pulley (allows speed change)
- Blower assembly slides out of unit for servicing
- Grease fittings furnished

#### **Supply Static Pressure Transducer (156/180/240 VAV Models Only)**

- Sends information to the Intelli-Guide™ unit controller to control VFD blower speed
- Shipped with the unit for remote field installation in the supply duct

#### **Required Selections**

#### **Select Constant Air Volume (CAV), Variable Air Volume (VAV) or Single Zone VAV**

- Constant Air Volume (CAV) models supply a constant volume of air
- Variable Air Volume (VAV) (156/180/240 Models Only) variable frequency drive (VFD) varies the air volume to maintain a constant duct static pressure
- Single Zone VAV models stages the amount of airflow according to compressor stages, heating demand, ventilation demand or smoke alarm

**NOTE** - Units with the Single Zone VAV supply air blower option have the same face split indoor coils as units with the CAV supply air blower option. Part load airflow in cooling mode on Single Zone VAV units should not be set below 220 cfm/nominal full load ton to reduce the risk of evaporator coil freeze-up.

- 12** • Utilizes a Variable Frequency Drive (VFD) to stage the supply blower airflow
- VFD alters the frequency and voltage of the power supply to the blower to control blower speed
- The amount of airflow for each stage can be set according to a parameter in the Intelli-Guide™ unit controller
- Unit is shipped from the factory with preset airflow
- Single Zone VAV can be ordered with or without an Electronic Bypass Control
- If equipped with the bypass control the Single Zone VAV features manual (default) or automatic electronic bypass control of the VFD
- In case of a VFD malfunction, a VFD alarm is generated by the Intelli-Guide™ unit controller
- VFD can be manually bypassed to continue unit operation at full blower speed
- Or the unit controller can be set to automatically switch to full blower speed if a VFD alarm is generated
- VFD has an operational range of 0 to 125°F outdoor air ambient temperature
- Lower operating costs are obtained when the blower is operated on lower speeds

**NOTE** - Units equipped a Variable Frequency Drive (VFD) are designed to operate on balanced, three-phase power. Operating units on unbalanced three-phase power will reduce the reliability of all electrical components in the unit. Unbalanced power is a result of the power delivery system supplied by the local utility company. Factory-installed inverters are sized to drive blower motors with an equivalent current rating using balanced three-phase power. If unbalanced three-phase power is supplied; the installer must replace the existing factory-installed inverter with an inverter that has a higher current rating to allow for the imbalance. Refer to the installation instructions for additional information and replacement information.

#### **Ordering Information**

- Specify motor horsepower and drive kit number when base unit is ordered

#### **Options/Accessories**

#### **Factory Installed**

##### **Blower Belt Auto-Tensioner**

- Provides proper tension to belt drive blower belt without the need for regular adjustments
- Maintains airflow and proper performance

## FEATURES AND BENEFITS

### ELECTRICAL

#### WireRight™ System

- Keyed and color-coded wiring connectors prevent miswiring
- Wire coloring scheme is standardized across all models
- Each connection is intuitively labeled to make troubleshooting and servicing quick and easy

#### Electrical Plugs

- Positive connection electrical plugs connect common accessories or maintenance parts for easy removal or installation

### Required Selections

#### Voltage Choice

- Specify when ordering base unit

### Options/Accessories

### Factory Installed

#### Circuit Breakers

- HACR type
- For overload and short circuit protection
- Factory wired and mounted in the power entry panel
- Current sensitive and temperature activated
- Manual reset

#### Phase/Voltage Detection (Optional for CAV Models Only)

- Monitors power supply to assure phase is correct at unit start-up
- If phase is incorrect, the unit will not start and an alarm code is reported to the unit controller
- Protects unit from being started with incorrect phasing which could lead to issues such as compressors running backwards
- Voltage detection monitors power supply voltage to assure proper voltage
- If voltage is not correct (over/under voltage conditions) the unit will not start and an alarm code is reported to the unit controller

**NOTE** - Phase/voltage detection is furnished when the Single Zone VAV option is ordered.

#### Short-Circuit Current Rating (SCCR)

- Higher short circuit protection up to 100kA

### Factory or Field Installed

#### 13 Disconnect Switch

- Accessible outside of unit
- Spring loaded weatherproof cover furnished

#### GFI Service Outlets (2)

- 115V ground fault circuit interrupter (GFCI) type
- Available non-powered, field-wired or factory-wired and powered

### Field Installed

#### GFI Weatherproof Cover

- Single-gang cover
- Heavy-duty UV-resistant polycarbonate case construction
- Hinged base cover with gasket



## CONTROL SYSTEM

### INTELLI-GUIDE™ CONTROL SYSTEM



14 The Intelli-Guide™ unit controller is a microprocessor-based controller that provides flexible control of all unit functions.

#### Features:

- LCD Display
- Easy to read menu (4 lines x 20 character display)
- Buttons for menu navigation during setup and diagnostic
- Menu navigation LEDs for Data, Setup, Service, Settings
- Main Menu and Help Buttons for quick navigation to home screen and built-in help functions
- Scroll, Value Adjustment Select and Save Buttons
- Setup menu insures proper installation and simplified setup of the rooftop unit
- Profile setup copies key settings between units with the same configuration to reduce setup time
- USB port allows a technician to download and transfer unit information to help verify service was performed
- USB software updates on the Prodigy Control System enhance functionality without the need to change components
- Unit Controller Software
- Unit self-test verifies individual critical component and system performance
- Economizer test function assures economizer is operating correctly
- Time Clock with Run-Time Information

#### Built-In Functions Include:

- Adjustable Blower On/Off Delay
- Built-in Control Parameter Defaults
- Compressor Time-Off Delay
- DDC Compatible
- Dirty Filter Switch Input
- Discharge Air Temperature Control
- Display/Sensor Readout
- Economizer Control Options (See Economizer / Exhaust Air / Outdoor Air sections)
- Fresh Air Tempering
- Over 100 diagnostic and status messages in English
- Exhaust Fan Control Modes for fresh air damper position
- Permanent Diagnostic Code Storage
- Field Adjustable Control Parameters (Over 200 settings)
- Indoor Air Quality Input (Demand Control Ventilation)
- Low Ambient Controls for cooling operation down to 0°F

- Gas Valve Time Delay Between First and Second Stage
- Minimum Compressor Run Time
- Network Capable (Can be daisy chained to other units or controls)
- Night Setback Mode
- Return Air Temperature Limit Control
- Safety Switch Input allows Controller to respond to a external safety switch trip
- Service Relay Output
- Smoke Alarm Mode has four choices (unit off, positive pressure, negative pressure, purge)
- Up to 2 heat/2 cool (standard Prodigy unit controller thermostat input)
- Up to 3 cool with additional relay
- Up to 4 cool with room sensor or network operation
- “Strike Three” Protection
- Gas Reheat Control allows simultaneous heating and cooling operation for humidity control of process air applications such as supermarkets
- On Demand Dehumidification monitors and controls condenser hot gas reheat operation with dehumidification option
- Thermostat Bounce Delay
- Warm Up Mode Delay
- LED Indicators
- PC Interface connects the Intelli-Guide™ unit controller to a PC with the Unit Controller Software
- Room Sensor Operation controls temperature

**NOTE** - Intelli-Guide Control System features shown vary with the type of rooftop unit the control is installed in.

## CONTROL SYSTEM

### INTELLI-GUIDE™ CONTROL SYSTEM (continued)

#### Control Options

#### Factory or Field Installed

##### Blower Proving Switch

- Monitors blower operation, shuts down unit if blower fails

##### Dirty Filter Switch

Senses static pressure increase indicating dirty filter condition

##### Fresh Air Tempering

- Used in applications with high outside air requirements
- Controller energizes the first stage heat as needed to maintain a minimum supply air temperature for comfort, regardless of the thermostat demand
- When ordered as a factory option, sensor ships with the unit for field installation

##### Smoke Detector

- Photoelectric type
- Installed in supply air section, return air section or both sections
- Available with power board and single sensor (supply or return) or power board and two sensors (supply and return)
- Power board located in unit control compartment

##### Interoperability via BACnet® or LonTalk® Protocols

- Communication compatible with third-party automation systems that support the BACnet Application Specific Controller device profile, LonMark® Space Comfort Controller functional profile, or LonMark Discharge Air Controller functional profile

#### Commercial Control Systems

##### After-Market DDC

- Novar® Unit Controller and options

##### Thermostats

- Control system and thermostat options
- After-Market unit controller options

#### Field Installed

##### General Purpose Control Kit

- Plug-in control provides additional analog and digital inputs/outputs for field installed options

##### Humidity Sensor Kit

- Humidity sensor required with factory installed Humiditrol® dehumidification option or Supermarket reheat field selectable option

## OPTIONS / ACCESSORIES

### ECONOMIZER

- Economizer operation is set and controlled by the Intelli-Guide™ unit controller
- Simple plug-in connections from economizer to unit controller for easy installation
- All rooftop units are equipped with factory installed CEC Title 24 approved sensors for outside, return and discharge air temperature monitoring

**NOTE** - Optional sensors may be used instead of unit sensors to determine whether outdoor air is suitable for free cooling. See Options/Accessories table.

#### Factory or Field Installed

#### **15** High Performance Economizer

- Approved for California Title 24 building standards
- Low leakage dampers are Air Movement and Control Association International (AMCA) Class 1A Certified - Maximum 3 CFM per sq. ft. leakage at 1 in. w.g.
- ASHRAE 90.1-2010 compliant
- Outdoor Air Hood with mist elimination is included when economizer is factory installed and is furnished with economizer when ordered for field installation
- Gear-driven action
- High torque 24-volt fully-modulating spring return damper motor
- Return air and outdoor air dampers
- Plug-in connections to unit
- Stainless steel bearings
- Enhanced neoprene blade edge seals
- Flexible stainless steel jamb seals

**NOTE** - High Performance Economizers are not approved for use with enthalpy controls in Title 24 applications.

**NOTE** - The Free Cooling setpoint for Title 24 applications must be set based on the Climate Zone where the system is installed. See Section 140.4 "Prescriptive Requirements for Space Conditioning Systems" of the California Energy Commission's 2013 Building Energy Efficiency Standards.

**NOTE** - Refer to Installation Instructions for complete setup information.

## OPTIONS / ACCESSORIES

### ECONOMIZER (continued)

#### Differential Sensible Control

- Factory setting
- Uses outdoor air and return air sensors that are furnished with the unit
- The Intelli-Guide™ unit controller compares outdoor air temperature with return air
- When the outdoor air is below the configured setpoint and cooler than return air, the controller activates the economizer

**NOTE** - Differential Sensible Control can be configured in the field to provide Offset Differential Sensible Control or Single Sensible Control.

**NOTE** - In Offset Differential Sensible Control mode, the economizer is enabled if the temperature differential (offset) between outdoor air and return air reaches the configured setpoint. In Single Sensible Control mode, the economizer is enabled when outdoor air temperature falls below the configured setpoint.

#### Global Control

- The unit controller communicates with a DDC system with one global sensor (enthalpy or sensible)
- Determines whether outside air is suitable for free cooling on all units connected to the control system
- Sensor must be field provided

### Factory or Field Installed

#### Single Enthalpy Temperature Control (Not for Title 24)

- Outdoor air enthalpy sensor enables Economizer if the outdoor enthalpy is less than the setpoint of the control

#### Differential Enthalpy Control (Not for Title 24)

- Order two Single Enthalpy Controls
- One is field installed in the return air section
- One is installed in the outdoor air section
- Allows the economizer control to select between outdoor air or return air, whichever has lower enthalpy

### Field Installed

#### Outdoor Air CFM Control

- Maintains constant outdoor air volume levels on the supply air fan and varying unit airflows
- Velocity sensor located in the rooftop unit outdoor air section, the Intelli-Guide™ unit controller changes the economizer position to help minimize the effect of supply fan speed changes on outdoor air volume levels
- Setpoint for outdoor air volume is established by field testing

**NOTE** - Not available with Demand Control Ventilation (CO<sub>2</sub> Sensor) or Building Pressure Control.

#### Building Pressure Control

- Maintains constant building pressure level
- Includes a static pressure transducer and outdoor static pressure assembly
- Using differential pressure information between the outdoor air and the building air, the Intelli-Guide™ unit controller changes the economizer position to help maintain a constant building pressure

**NOTE** - Not available with Demand Control Ventilation (CO<sub>2</sub> Sensor) or Outdoor Air CFM Control.

### EXHAUST

#### Factory or Field Installed

#### **16** Downflow Barometric Relief Dampers

- Allow relief of excess air
- Aluminum blade dampers prevent blow back and outdoor air infiltration during off cycle
- Exhaust hood is factory installed when dampers are factory installed with economizer
- Exhaust hood is furnished with dampers when ordered for field installation
- Bird screen furnished

#### **17** Power Exhaust Fans

- Install internal to unit for downflow applications only with economizer option
- Provides exhaust air pressure relief
- Interlocked to run when supply air blower is operating
- Fans run when outdoor air dampers are 50% open (adjustable)
- Motor is overload protected
- Dual fans are 20 in. diameter
- Five blades
- Two 1/3 hp motors

**NOTE** - Requires Economizer with furnished Outdoor Air Hood and Downflow Barometric Relief Dampers.

**NOTE** - Single Zone VAV Supply Fan and VAV (Variable Air Volume) models are equipped with 2-stage power exhaust fans. Power exhaust operates in 1st stage (one fan) up to 70% of supply air blower speed. Both exhaust fans operate in 2nd stage when supply air blower speed is above 70% (adjustable) of full speed.

## OPTIONS / ACCESSORIES

### Field Installed

#### Horizontal Barometric Relief Dampers

- For use when unit is configured for horizontal applications requiring an economizer
- Allows relief of excess air
- Aluminum blade dampers prevent blow back and outdoor air infiltration during off cycle
- Field installed in return air duct
- Bird screen and hood furnished

### OUTDOOR AIR

#### Factory or Field Installed

##### Outdoor Air Damper

- Downflow or Horizontal
- Linked mechanical dampers
- 0 to 25% (fixed) outdoor air adjustable
- Installs in unit
- Includes outdoor air hood
- Automatic model features fully modulating spring return damper motor with plug-in connection
- Manual model features parallel blade, gear-driven dampers with adjustable fixed position

### ROOF CURBS

- Nailer strip furnished (downflow only)
- Mates to unit
- US National Roofing Contractors Approved
- Shipped knocked down

### Downflow

#### Hybrid Roof Curbs

- Interlocking tabs fasten corners together
- No tools required
- Can also be fastened together with furnished hardware
- Available in 8, 14, 18, and 24 inch heights

#### Adjustable Pitch Curb

- Fully adjustable pitch curbs (3/4 in. per foot in any direction) provide a level platform for rooftop units allowing flexible installations on roofs with uneven or sloped angles
- Uses interlocking tabs to fasten corners together. No tools required
- Hardware is furnished to connect upper curb with lower curb
- Available in 14 inch height

### Horizontal

- Meet National Roofing Code requirements
- Converts unit from downflow to horizontal (side) air flow
- Return air is on unit, supply air is on curb
- See dimension drawings
- Available in 26, 30, 37 and 41 inch heights

**NOTE** - Requires Horizontal Return Air Panel Kit.

### ROOF CURBS (continued)

**NOTE** - Optional Insulation Kit is available to help prevent sweating.

### Adaptor Curbs (not shown)

- Curbs are regionally sourced
- Dimensions vary based upon the source

**NOTE** - Contact your local sales representative for a detailed cut sheet with applicable dimensions.

### CEILING DIFFUSERS

#### Field Installed

##### Ceiling Diffusers (Flush or Step-Down)

- White powder coat finish on diffuser face and grilles
- Insulated UL listed duct liner
- Diffuser box has collars for duct connection
- Step-down diffusers have double deflection blades
- Flush diffusers have fixed blades
- Provisions for suspending
- Internally sealed to prevent recirculation
- Removable return air grille
- Adapts to T-bar ceiling grids or plaster ceilings

##### Transitions (Supply and Return)

- Used with diffusers
- Installs in roof curb
- Galvanized steel construction
- Flanges furnished for duct connection to diffusers
- Fully insulated

## DEHUMIDIFICATION SYSTEM OPTION

### **OVERVIEW**

**NOTE** - Dehumidification System Only Available For CAV And Single Zone VAV Supply Fan Models.

- Factory installed option designed to control humidity
- Provides dehumidification on demand using ASHRAE 90.1 recommended method for comfort conditioning humidity control
- Unit comes equipped with one row reheat coil, solenoid valve and humidity controller
- A thermostat with a dehumidification output, a dehumidistat, or a DDC controller with an isolated output is required to control humidity and must be located in the occupied space

**NOTE** - Remote Mounted Humidity Sensor Kit is required for field installation. The humidity sensor provides input to the Unit Controller which is used to control activation of the dehumidification operation.

### **BENEFITS**

- Improves indoor air quality
- Helps prevent damage due to high humidity levels
- Improves comfort levels by reducing space humidity levels

### **OPERATION**

#### **No Dehumidification Demand**

- The unit will operate conventionally whenever there is a demand for cooling or heating and no dehumidification demand
- Free cooling is only permitted when there is no demand for dehumidification

#### **Dehumidification Demand Only**

- The Unit Controller is factory set at 60% relative humidity setpoint and can be adjusted at the Unit Controller or with optional Unit Controller Software

**NOTE** - Controls are not furnished and must be ordered extra.

- Reheat operation will initiate on a dehumidification demand and does not require a cooling demand
- The unit will operate in the dehumidification mode until the relative humidity of the conditioned space is below the setpoint
- The reheat coil is sized to provide 68°F to 75°F supply air during reheat operation
- This reduces sensible cooling capacity and extends compressor run time to control humidity when the cooling load is low
- A solenoid valve diverts hot gas from the compressor to the reheat coil
- The cooled and dehumidified air from the evaporator is reheated as it passes through the reheat coil
- The de-superheated and partially condensed refrigerant continues to the outdoor condenser coil where condensing is completed
- Unit will continue to operate in this mode until the dehumidification demand is satisfied

**NOTE** - See Sequence of Operation for additional information.

#### **Dehumidification and Cooling Demand (Thermostat/ Room Sensor Application)**

- If both a dehumidification and a full cooling load demand occur, the system will operate in cooling until the cooling demand is satisfied
- Then the system will energize the dehumidification mode.

#### **Options/Accessories**

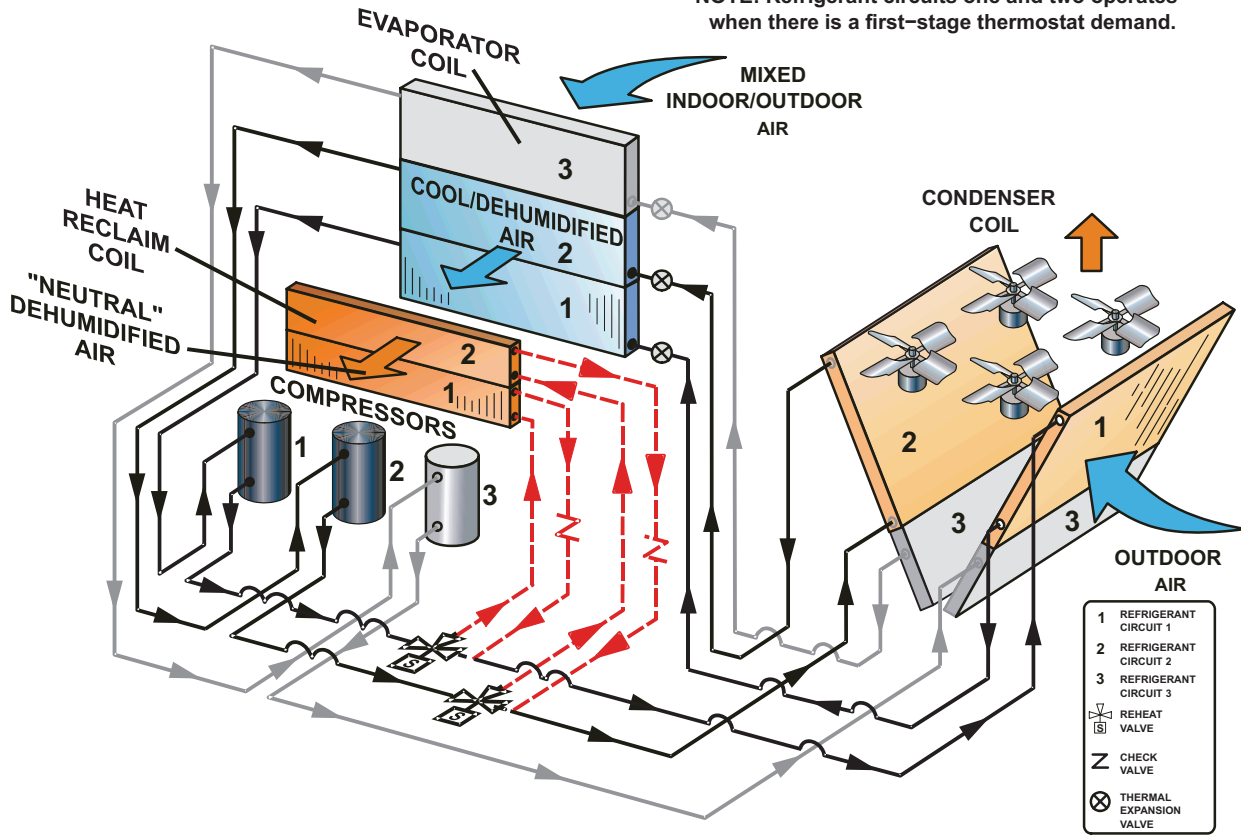
#### **Humidity Sensor Kit**

- Remote Mounted Humidity sensor required with factory installed Dehumidification Option or Supermarket reheat field selectable option

# DEHUMIDIFICATION SYSTEM OPTION

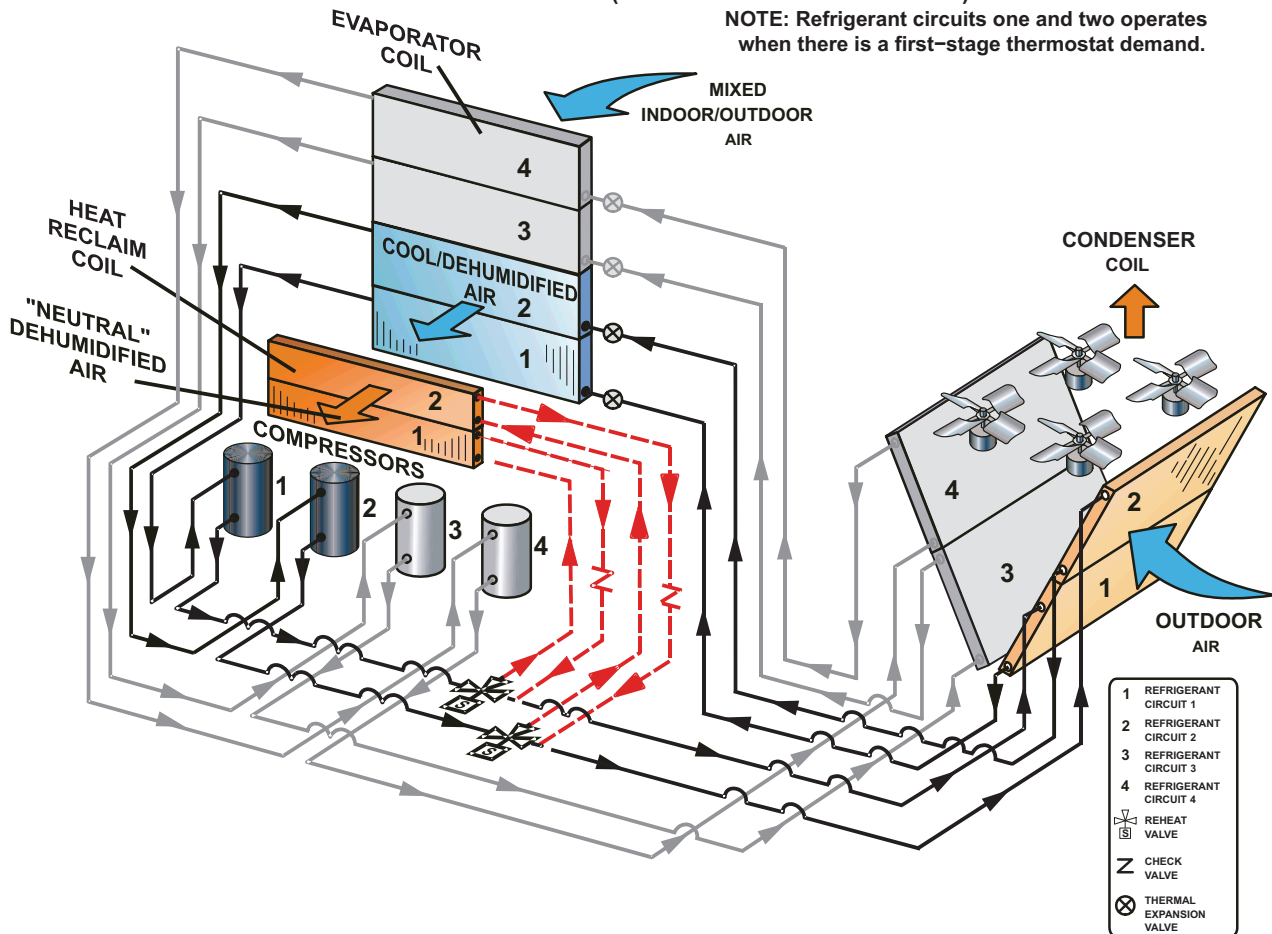
REFRIGERANT SCHEMATIC (156H, 180H and 210H MODELS ONLY)

NOTE: Refrigerant circuits one and two operates when there is a first-stage thermostat demand.



REFRIGERANT SCHEMATIC (240H and 300S MODELS ONLY)

NOTE: Refrigerant circuits one and two operates when there is a first-stage thermostat demand.





**THIS PAGE INTENTIONALLY LEFT BLANK**

**THIS PAGE INTENTIONALLY LEFT BLANK**

**Objective:** Outline the unit functions as a result of room thermostat or zone sensor demands.

**Given:** When economizer is present, it will function as an integral part of the unit cooling system. When not present, unit will function as if economizer is present but outdoor ambient is high and sensed as not suitable.

### **UNIT OPERATION WITH 2-STAGE THERMOSTAT (2 COOLING STAGES, Y1, Y2) - 3 AND 4 COMPRESSORS MODELS**

#### **SUPPLY AIR BLOWER SPEED**

Unit has the following supply air blower speed settings:

- Ventilation speed
- Cooling speed - Low
- Cooling speed - High
- Heating speed
- Smoke speed (Used only in smoke removal option - not discussed)

#### **<sup>1</sup> Unit Features An Economizer And Outdoor Air Is Suitable**

##### **Y1 Demand:**

All compressors are off, supply air blower is on low cooling speed to minimize blower power consumption, economizer modulates (minimum to maximum open position) to maintain 55°F supply air temperature (default unit controller setting).

##### **Y2 Demand:**

All compressors are off, supply air blower is on high cooling speed providing higher cooling capacity, and economizer modulates to maintain 55°F supply air temperature.

If economizer stays at maximum open for 3 minutes, 1st stage compressors (compressor 1 and 2) are energized while supply air blower stays on high cooling speed providing maximum cooling capacity.

<sup>1</sup> *Outdoor air suitability is determined by the energy state of outdoor ambient (enthalpy or sensible) and its ability to achieve the desired free cooling effects. Outdoor air suitability can also be determined by a third party controller and provided to the RTU via a network connection.*

#### **Unit Does Not Feature An Economizer Or Outdoor Air Is Not Suitable**

##### **Y1 Demand:**

1st stage compressors operate and supply air blower operates at low cooling speed.

##### **Y2 Demand:**

All compressors operate and supply air blower operates at high cooling speed.

#### **Dehumidification Mode**

If a unit with Dehumidification Option receives a call for dehumidification, economizer free cooling is locked out.

##### **Call For Dehumidification, No Y1, Y2 Demand:**

1st stage compressors (1 & 2) operate, supply air blower operates at high cooling speed, and the reheat valves are energized.

##### **Y1 Demand With A Call For Dehumidification:**

All compressors operate, supply air blower operates at high cooling speed and the reheat valves are energized.

##### **Y2 Demand With A Call For Dehumidification:**

All compressors operate, supply air blower operates at high cooling speed, and the reheat valves are de-energized.

**UNIT WITH 3-STAGE THERMOSTAT (3 COOLING STAGES, Y1, Y2, Y3) - 3 AND 4 COMPRESSORS MODELS, OR ZONE SENSOR (4 COOLING STAGES, Y1, Y2, Y3, Y4) - 3 COMPRESSORS MODELS****SUPPLY AIR BLOWER SPEED**

Unit has following supply air blower speed setting:

- Ventilation speed
- Cooling speed - Low
- Cooling speed - Medium
- Cooling speed - High
- Heating speed
- Smoke speed (Used only in smoke removal option - not discussed)

**<sup>1</sup> Unit Features An Economizer And Outdoor Air Is Suitable****3 Compressor Models****Y1 Demand:**

All compressors are off, supply air blower is on low cooling speed to minimize blower power consumption, economizer modulates (minimum to maximum open position) to maintain 55°F supply air temperature (default unit controller setting).

**Y2 Demand:**

All compressors are off, supply air blower is on high cooling speed providing higher cooling capacity, economizer modulates (minimum to maximum open position) to maintain 55°F supply air temperature (default unit controller setting).

If economizer stays at maximum open for 3 minutes then compressor 1 is energized while supply air blower stays on high cooling speed. After compressor is energized the economizer stays at maximum open.

**Y3 Demand:**

Compressors 1 and 2 are energized while supply air blower stays on high cooling speed. After compressors are energized the economizer stays at maximum.

**Y4 (Zone Sensor Only) Demand:**

All compressors are energized and supply air blower stays on high cooling speed.

**4 Compressor Models****Y1 Demand:**

All compressors are off, supply air blower is on low cooling speed to minimize blower power consumption, economizer modulates (minimum to maximum open position) to maintain 55°F supply air temperature (default unit controller setting).

**Y2 Demand:**

All compressors are off, supply air blower is on high cooling speed providing higher cooling capacity, economizer modulates (minimum to maximum open position) to maintain 55°F supply air temperature (default unit controller setting).

If economizer stays at maximum open for 3 minutes then compressors 1 and 2 are energized while supply air blower stays on high cooling speed. After compressors are energized the economizer stays at maximum open.

**Y3 Demand:**

Compressors 1, 2 and 3 are energized and supply air blower stays on high cooling speed.

<sup>1</sup> Outdoor air suitability is determined by the energy state of outdoor ambient (enthalpy or sensible) and its ability to achieve the desired free cooling effects. Outdoor air suitability can also be determined by a third party controller and provided to the RTU via a network connection.

**UNIT WITH 3-STAGE THERMOSTAT (3 COOLING STAGES, Y1, Y2, Y3) - 3 AND 4 COMPRESSORS MODELS, OR ZONE SENSOR (4 COOLING STAGES, Y1, Y2, Y3, Y4) - 3 COMPRESSORS MODELS (CONTINUED)**

Unit Does Not Feature An Economizer Or Outdoor Air Is Not Suitable

**3 Compressor Units****Y1 Demand:**

Compressor 1 operates and supply air blower operates at low cooling speed.

**Y2 Demand:**

Compressors 1 and 2 operate and supply air blower operates at medium cooling speed.

**Y3 or Y4 (Zone Sensor Only) Demand:**

All compressors operate and supply air blower operates at high cooling speed .

**4 Compressor Units****Y1 Demand:**

Compressors 1 and 2 operate and supply air blower operates at low cooling speed.

**Y2 demand:**

Compressors 1, 2, and 3 operate and supply air blower operates at medium cooling speed.

**Y3 demand:**

All compressors operate and supply air blower operates at high cooling speed.

**Dehumidification Mode**

If a unit with Dehumidification Option receives a call for dehumidification, economizer free cooling is locked out.

**Call For Dehumidification, No Y1, Y2, Y3 Demand:**

Compressor 1 and 2 operate, supply air blower operates at high cooling speed, and both reheat valves are energized.

**Y1 Demand With A Call For Dehumidification:**

All compressors operate, supply air blower operates at high cooling speed and both reheat valves are energized.

**Y2 Demand With A Call For Dehumidification:**

All compressors operate, supply air blower operates at high cooling speed, and the reheat valve of refrigeration circuit 1 is energized while the reheat valve of refrigeration circuit 2 is de-energized.

**Y3 or Y4 (Zone Sensor Only) Demand:**

All compressors operate, supply air blower operates at high cooling speed, and both reheat valves are de-energized.

**UNIT WITH ZONE SENSOR (4 COOLING STAGES, Y1, Y2, Y3, Y4) – 4 COMPRESSORS MODELS****SUPPLY AIR BLOWER SPEED**

- Unit has following supply air blower speed setting:
- Ventilation speed
- Cooling speed - Low
- Cooling speed - Medium-Low
- Cooling speed - Medium-High
- Cooling speed - High
- Heating speed
- Smoke speed (Used only in smoke removal option - not discussed)

**<sup>1</sup> Unit Features An Economizer And Outdoor Air Is Suitable****Y1 Demand:**

All compressors are off, supply air blower is on low cooling speed to minimize blower power consumption, economizer modulates (minimum to maximum open position) to maintain 55°F supply air temperature (default unit controller setting).

**Y2 Demand:**

All compressors are off, supply air blower is on high cooling speed providing higher cooling capacity, and economizer modulates to maintain 55°F supply air temperature.

If economizer stays at maximum open for 3 minutes, compressor 1 is energized while supply air blower stays on high cooling speed. After compressor 1 is energized the economizer stays at maximum open.

**Y3 Demand:**

Compressor 1 and 2 are energized while supply air blower is on high cooling speed providing even higher cooling capacity.

**Y4 Demand:**

All compressors are energized while supply air blower is on high cooling speed providing maximum cooling capacity.

<sup>1</sup> Outdoor air suitability is determined by the energy state of outdoor ambient (enthalpy or sensible) and its ability to achieve the desired free cooling effects. Outdoor air suitability can also be determined by a third party controller and provided to the RTU via a network connection.

**Unit Does Not Feature An Economizer Or Outdoor Air Is Not Suitable****Y1 demand:**

Compressor 1 operates and supply air blower operates at low cooling speed.

**Y2 demand:**

Compressors 1 and 2 operate and supply air blower operates at medium-low cooling speed.

**Y3 demand:**

Compressors 1, 2, and 3 operate and supply air blower operates at medium-high cooling speed.

**Y4 demand:**

All compressors operate and supply air blower operates at high cooling speed.



**UNIT WITH ZONE SENSOR (4 COOLING STAGES, Y1, Y2, Y3, Y4) – 4 COMPRESSORS MODELS (CONTINUED)****Dehumidification Mode**

If a unit with Dehumidification Option receives a call for dehumidification, economizer free cooling is locked out.

**Call For Dehumidification, No Y1, Y2, Y3, Y4 Demand:**

Compressors 1 and 2 operate, supply air blower operates at high cooling speed, and both reheat valves are energized.

**Y1 Demand With A Call For Dehumidification:**

Compressors 1, 2, and 3 operate, supply air blower operates at high cooling speed and both reheat valves are energized.

**Y2 Demand With A Call For Dehumidification:**

All compressors operate, supply air blower operates at high cooling speed, and both reheat valves are energized.

**Y3 Demand With A Call For Dehumidification:**

All compressors operate, supply air blower operates at high cooling speed, and the reheat valve of compressor 1 is energized while the reheat valve of compressor 2 is de-energized.

**Y4 Demand With A Call For Dehumidification:**

All compressors operate, supply air blower operates at high cooling speed, and the reheat valves are de-energized.

**Heating Mode**

*NOTE - HEATING MODE IS THE SAME FOR ALL CONTROL OPTIONS.*

**W1 Demand:**

Gas valves are open (stage 1 on units with 2-stage gas valves) and supply air blower operates at heating speed.

**W2 Demand:**

Gas valves are open (stage 2 on units with 2-stage gas valves) and supply air blower operates at heating speed.

**Modulating Outdoor Air Damper**

The minimum damper position for “occupied low blower” and “occupied high blower” is adjusted during unit setup to provide minimum fresh air requirements per ASHRAE 62.1 at the corresponding supply air blower speeds.

- When supply air blower is off or the unit is in unoccupied mode, the outdoor air damper is closed.
- When unit is in occupied mode and supply air blower is operating at a speed below the “midpoint” blower speed, the outdoor air damper is at minimum “low blower” position.
- When unit is in occupied mode and supply air blower is operating at a speed equal to or above the “midpoint” blower speed, the outdoor air damper is at minimum “high blower” position.

*NOTE - The “midpoint” blower speed is an average of the minimum and maximum blower speed (minimum speed + maximum speed divided by 2).*

**Power Exhaust Operation**

*NOTE - POWER EXHAUST OPERATION IS THE SAME FOR ALL CONTROL OPTIONS*

Single Zone VAV models are equipped with 2-stage power exhaust fans. Power exhaust fans operate when economizer outdoor air dampers are 50% open (adjustable). Power exhaust operates in 1st stage (one fan) up to 70% of supply air blower speed. 2nd stage power exhaust fans (both fans) operate when supply air blower speed is above 70% (adjustable) of full speed.

**UNITS IN ZONING APPLICATIONS OPERATING WITH DISCHARGE AIR CONTROL - 156/180 MODELS ONLY (4 HEAT / 3 COOL)****SUPPLY AIR BLOWER SPEED**

Unit has the following supply air blower speed settings:

- Ventilation Speed
- Cooling Speed - Fully modular based on supply duct static pressure
- Heating Speed
- Smoke Speed (Used only in smoke removal option - not discussed)

**Cooling Mode (3 Cool)**

- Discharge air temperature (DAT) can be used to control unit staging.
- DAT default setpoint = 55°F. Unit will stage compressors as required to maintain the setpoint when provided with Y1 thermostat demand.
- Increasing compressor stages provides more cooling capacity while decreasing compressor stages provides less cooling capacity.

**<sup>1</sup> Unit Features An Economizer And Outdoor Air Is Suitable****Cooling Stage 1**

All compressors are off, supply air blower operates to maintain duct static pressure, economizer modulates (minimum to maximum open position) to maintain 55°F supply air temperature (default unit controller setting).

**Cooling Stage 2**

All compressors are off, supply air blower operates to maintain duct static pressure, and economizer modulates to maintain 55°F supply air temperature. If economizer stays at maximum open for 3 minutes, compressor 1 is energized while supply air blower operates to maintain duct static pressure. After compressor 1 is energized, the economizer stays at maximum open.

**Cooling Stage 3**

Compressor 1 and 2 are energized while supply air blower operates to maintain duct static pressure.

<sup>1</sup> Outdoor air suitability is determined by the energy state of outdoor ambient (enthalpy or sensible) and its ability to achieve the desired free cooling effects. Outdoor air suitability can also be determined by a third party controller and provided to the RTU via a network connection.

**Unit Does Not Feature An Economizer Or Outdoor Air Is Not Suitable****Cooling Stage 1**

Compressor 1 operates and supply air blower operates to maintain duct static pressure.

**Cooling Stage 2**

Compressors 1 and 2 operate and supply air blower operates to maintain duct static pressure.

**Cooling Stage 3**

Compressors 1, 2, and 3 operate and supply air blower operates to maintain duct static pressure.

**HEATING MODE (4 Heat)**

- Room sensors (when connected to S-Bus) or Discharge air temperature (DAT) can be used to control up to four stages of electric heat.
- DAT default setpoint = 110°F. Unit will stage heating as required to maintain the setpoint when provided with W1 demand.
- Room sensor occupied setpoint default = 70°F. Unit will stage heating as required to maintain the setpoint.
- Increasing heat stages provides more heating capacity while decreasing heat stages provides less heating capacity.
- Blower set to Heating Speed for all stages.

**UNITS IN ZONING APPLICATIONS OPERATING WITH DISCHARGE AIR CONTROL - 240 MODELS ONLY (4 HEAT / 4 COOL)****SUPPLY AIR BLOWER SPEED**

Unit has the following supply air blower speed settings:

- Ventilation Speed
- Cooling Speed - Fully modular based on supply duct static pressure
- Heating Speed
- Smoke Speed (Used only in smoke removal option - not discussed)

**Cooling Mode (4 Cool)**

- Discharge air temperature (DAT) can be used to control unit staging.
- DAT default setpoint = 55°F. Unit will stage compressors as required to maintain the setpoint when provided with Y1 thermostat demand.
- Increasing compressor stages provides more cooling capacity while decreasing compressor stages provides less cooling capacity.

**<sup>1</sup> Unit Features An Economizer And Outdoor Air Is Suitable****Cooling Stage 1**

All compressors are off, supply air blower operates to maintain duct static pressure, economizer modulates (minimum to maximum open position) to maintain 55°F supply air temperature (default unit controller setting).

**Cooling Stage 2**

All compressors are off, supply air blower operates to maintain duct static pressure, and economizer modulates to maintain 55°F supply air temperature. If economizer stays at maximum open for 3 minutes, compressor 1 is energized while supply air blower operates to maintain duct static pressure. After compressor 1 is energized, the economizer stays at maximum open.

**Cooling Stage 3**

Compressor 1 and 2 are energized while supply air blower operates to maintain duct static pressure.

**Cooling Stage 4**

All compressors are energized while supply air blower operates to maintain duct static pressure.

<sup>1</sup> Outdoor air suitability is determined by the energy state of outdoor ambient (enthalpy or sensible) and its ability to achieve the desired free cooling effects. Outdoor air suitability can also be determined by a third party controller and provided to the RTU via a network connection.

**Unit Does Not Feature An Economizer Or Outdoor Air Is Not Suitable****Cooling Stage 1**

Compressor 1 operates and supply air blower operates to maintain duct static pressure.

**Cooling Stage 2**

Compressors 1 and 2 operate and supply air blower operates to maintain duct static pressure.

**Cooling Stage 3**

Compressors 1, 2, and 3 operate and supply air blower operates to maintain duct static pressure.

**Cooling Stage 4**

All compressors operate and supply air blower operates to maintain duct static pressure.

**UNITS IN ZONING APPLICATIONS OPERATING WITH DISCHARGE AIR CONTROL (4 HEAT / 4 COOL)  
(CONTINUED)****HEATING MODE (4 Heat)**

**Discharge air temperature (DAT) can be used to control unit staging.**

- DAT default setpoint = 110°F. Unit will stage heating as required to maintain the setpoint when provided with W1 demand.
- Increasing heat stages provides more heating capacity while decreasing heat stages provides less heating capacity.
- Blower set to Heating Speed for all stages.
- Heating Stage 1 -The first stage of mechanical heat is activated; gas valve one is in low fire mode. This is ~33% of heating capacity.
- Heating Stage 2 - The first and second stages of mechanical heat are activated; gas valves one and two are in low fire mode. This is ~66% of heating capacity.

**Heating Stage 3**

- Gas valve one is in high fire mode; gas valve two is in low fire mode. This is ~83% of heating capacity.

**Heating Stage 4**

- Gas valves one and two are in high fire mode. This is 100% of heating capacity.

**Modulating Outdoor Air Damper**

The minimum damper position for “occupied low blower” and “occupied high blower” is adjusted during unit setup to provide minimum fresh air requirements per ASHRAE 62.1 at the corresponding supply air blower speeds. When supply air blower is off or the unit is in unoccupied mode, the outdoor air damper is closed.

When unit is in occupied mode and supply air blower is operating at a speed below the “midpoint” blower speed, the outdoor air damper is at minimum “low blower” position.

When unit is in occupied mode and supply air blower is operating at a speed equal to or above the “midpoint” blower speed, the outdoor air damper is at minimum “high blower” position.

*NOTE - The “midpoint” blower speed is an average of the minimum and maximum blower speed ((minimum speed + maximum speed) divided by 2).*

## OPTIONS / ACCESSORIES

Item Description	Catalog Number	Unit Model No					
		156	180	210	240	300	
<b>COOLING SYSTEM</b>							
Condensate Drain Trap	PVC	<b>22H54</b>	OX	OX	OX	OX	OX
	Copper	<b>76W27</b>	OX	OX	OX	OX	OX
Conventional Fin/Tube Condenser Coil (replaces Eco-Last™ Coil System)		Factory	O	O	O	O	O
Corrosion Protection		Factory	O	O	O	O	O
Drain Pan Overflow Switch		<b>21Z07</b>	OX	OX	OX	OX	OX
Efficiency	High		O	O	O	O	
	Standard						O
Refrigerant Type		R-410A	O	O	O	O	O
Service valves (not for Eco-Last™ Coil System or Dehumidification)		Factory	O	O	O	O	O
<b>HEATING SYSTEM</b>							
Bottom Gas Piping Kit		<b>85M31</b>	OX	OX	OX	OX	OX
Combustion Air Intake Extensions (order two)		<b>89L97</b>	X	X	X	X	X
Gas Heat Input	Low - 169,000 Btuh	Factory	O	O	O		
	Standard - 260,000 Btuh	Factory	O	O	O	O	O
	Medium - 360,000 Btuh	Factory	O	O	O	O	O
	High - 480,000 Btuh	Factory		O	O	O	O
Low Temperature Vestibule Heater	208/230V-3ph	<b>22H58</b>	OX	OX	OX	OX	OX
	460V-3ph	<b>22H59</b>	OX	OX	OX	OX	OX
	575V-3ph	<b>13X68</b>	OX	OX	OX	OX	OX
LPG/Propane Conversion Kits (Order 2 kits)	Low Heat	<b>14N28</b>	X	X	X		
	Standard Heat	<b>14N28</b>	X	X	X	X	X
	Medium Heat	<b>14N29</b>	X	X	X	X	X
	High Heat	<b>14N30</b>		X	X	X	X
Stainless Steel Heat Exchanger		Factory	O	O	O	O	O
Vertical Vent Extension Kit (Order two kits)		<b>42W16</b>	X	X	X	X	X
<b>BLOWER - SUPPLY AIR</b>							
Blower Option	CAV (Constant Air Volume)	Factory	O	O	O	O	O
	VAV (Variable Air Volume) supply air blower option (Without VFD Bypass Control)	Factory	O	O		O	
	Single Zone VAV supply air blower option (With VFD Bypass Control)	Factory	O	O	O	O	O
	Single Zone VAV supply air blower option (Without VFD Bypass Control)	Factory	O	O	O	O	O
Motors - CAV (Constant Air Volume)	Belt Drive (standard efficiency) - 2 hp	Factory	O				
	Belt Drive (standard or high efficiency) - 3 hp	Factory	O	O	O		
	Belt Drive (standard efficiency) - 5 hp	Factory	O	O	O	O	O
	Belt Drive (standard efficiency) - 7.5 hp	Factory		O	O	O	O
	Belt Drive (standard efficiency) - 10 hp	Factory				O	O
Motors - VAV (Variable Air Volume)	Belt Drive (standard or high efficiency) - 2 hp	Factory	O				
	Belt Drive (standard or high efficiency) - 3 hp	Factory	O	O			
	Belt Drive (standard efficiency) - 5 hp	Factory	O	O		O	
	Belt Drive (standard efficiency) - 7.5 hp	Factory		O		O	
	Belt Drive (standard efficiency) - 10 hp	Factory				O	
Motors - Single Zone VAV	Belt Drive (standard efficiency) - 2 hp	Factory	O				
	Belt Drive (standard efficiency) - 3 hp	Factory	O	O	O		
	Belt Drive (standard efficiency) - 5 hp	Factory	O	O	O	O	O
	Belt Drive (standard efficiency) - 7.5 hp	Factory		O	O	O	O
	Belt Drive (standard efficiency) - 10 hp	Factory				O	O
Drive Kits See Blower Data Tables for usage and selection	Kit #1 535-725 rpm	Factory	O	O	O		
	Kit #2 710-965 rpm	Factory	O	O	O		
	Kit #3 685-856 rpm	Factory	O	O	O	O	O
	Kit #4 850-1045 rpm	Factory	O	O	O	O	O
	Kit #5 945-1185 rpm	Factory	O	O	O	O	O
	Kit #6 850-1045 rpm	Factory		O	O	O	O
	Kit #7 945-1185 rpm	Factory		O	O	O	O
	Kit #8 1045-1285 rpm	Factory		O	O	O	O
	Kit #10 1045-1285 rpm	Factory				O	O
	Kit #11 1135-1365 rpm	Factory				O	O
	Blower Belt Auto-Tensioner	Factory	O	O	O	O	O

NOTE - Catalog numbers shown are for ordering field installed accessories.

OX - Configure To Order (Factory Installed) or Field Installed

O = Configure To Order (Factory Installed)

X = Field Installed

## OPTIONS / ACCESSORIES

Item Description	Catalog Number	Unit Model No				
		156	180	210	240	300
<b>CONTROLS</b>						
Blower Proving Switch	21Z10	OX	OX	OX	OX	OX
Commercial Controls	Intelli-Guide™ Control System - BACnet® Module	59W51	OX	OX	OX	OX
	Intelli-Guide™ Control System - LonTalk® Module	54W27	OX	OX	OX	OX
	Novar® LSE	Factory	O	O	O	O
			X			
Dirty Filter Switch	53W68	OX	OX	OX	OX	OX
Fresh Air Tempering	21Z08	OX	OX	OX	OX	OX
General Purpose Control Kit	13J78	X	X	X	X	X
Smoke Detector - Supply or Return (Power board and one sensor)	22H56	OX	OX	OX	OX	OX
Smoke Detector - Supply and Return (Power board and two sensors)	22H57	OX	OX	OX	OX	OX
<b>INDOOR AIR QUALITY</b>						
<b>Air Filters</b>						
High Efficiency Air Filters 24 x 24 x 2 (Order 6 per unit)	MERV 8	54W67	OX	OX	OX	OX
	MERV 13	52W40	OX	OX	OX	OX
Replacement Media Filter With Metal Mesh Frame (includes non-pleated filter media)		44N61	OX	OX	OX	OX
<b>Indoor Air Quality (CO<sub>2</sub>) Sensors</b>						
Sensor - Wall-mount, off-white plastic cover with LCD display		77N39	X	X	X	X
Sensor - Wall-mount, off-white plastic cover, no display		87N53	X	X	X	X
Sensor - Black plastic case with LCD display, rated for plenum mounting		87N52	X	X	X	X
Sensor - Wall-mount, black plastic case, no display, rated for plenum mounting		87N54	X	X	X	X
CO <sub>2</sub> Sensor Duct Mounting Kit - for downflow applications		85L43	X	X	X	X
Aspiration Box - for duct mounting non-plenum rated CO <sub>2</sub> sensors (87N53 or 77N39)		90N43	X	X	X	X
<b>UVC Germicidal Light Kit</b>						
<sup>1</sup> UVC Light Kit (110/230v-1ph)		21A94	X	X	X	X
Step-Down Transformers	460V primary, 230V secondary	10H20	X	X	X	X
	575V primary, 230V secondary	10H21	X	X	X	X
<b>ELECTRICAL</b>						
Voltage 60 hz	208/230V - 3 phase	Factory	O	O	O	O
	460V - 3 phase	Factory	O	O	O	O
	575V - 3 phase	Factory	O	O	O	O
HACR Circuit Breakers		Factory	O	O	O	O
Short-Circuit Current Rating (SCCR) of 100kA (includes Phase/Voltage Detection)		Factory	O	O	O	O
Disconnect Switch (see Disconnect Table for usage, page 51)	80 amp	54W88	OX	OX	OX	OX
	150 amp	54W89	OX	OX	OX	OX
	250 amp	90W82				OX
GFI Service Outlets	15 amp non-powered, field-wired (208/230V, 460V, 575V)	74M70	OX	OX	OX	OX
	15 amp factory-wired and powered (208/230V, 460V, 575V)	Factory	O	O	O	O
	20 amp non-powered, field-wired (575V only)	67E01	OX	OX	OX	OX
Weatherproof Cover for GFI		10C89	X	X	X	X
Phase/Voltage Detection (Optional for CAV options only, furnished with Single Zone VAV option)		Factory	O	O	O	O

<sup>1</sup> Lamps operate on 110-230V single-phase power supply. Step-down transformer may be ordered separately for 460V and 575V units. Alternately, 110V power supply may be used to directly power the UVC ballast(s).

NOTE - Catalog numbers shown are for ordering field installed accessories.

OX - Configure To Order (Factory Installed) or Field Installed

O = Configure To Order (Factory Installed)

X = Field Installed



## OPTIONS / ACCESSORIES

Item Description	Catalog Number	Unit Model No				
		156	180	210	240	300
<b>ECONOMIZER</b>						
<b>High Performance Economizer (Approved for California Title 24 Building Standards AMCA Class 1A Certified)</b>						
High Performance Economizer Downflow or Horizontal Applications - Includes Outdoor Air Hood. Order Downflow or Horizontal Barometric Relief Dampers separately.	22J18	OX	OX	OX	OX	OX
<b>Economizer Controls</b>						
Differential Enthalpy (Not for Title 24)	Order 2 21Z09	OX	OX	OX	OX	OX
Sensible Control	Sensor is Furnished Factory	O	O	O	O	O
Single Enthalpy (Not for Title 24)	21Z09	OX	OX	OX	OX	OX
Global Control	Sensor Field Provided Factory	O	O	O	O	O
Building Pressure Control	13J77	X	X	X	X	X
Outdoor Air CFM Control	13J76	X	X	X	X	X
<b>Barometric Relief Dampers With Exhaust Hood</b>						
Downflow Barometric Relief Dampers	54W78	OX	OX	OX	OX	OX
Horizontal Barometric Relief Dampers	16K99	X	X	X	X	X
<b>OUTDOOR AIR</b>						
<b>Outdoor Air Dampers With Outdoor Air Hood</b>						
Motorized	22J27	OX	OX	OX	OX	OX
Manual	13U05	OX	OX	OX	OX	OX
<b><sup>1</sup> POWER EXHAUST (DOWNFLOW APPLICATIONS ONLY)</b>						
Standard Static	208/230V 22H90	OX	OX	OX	OX	OX
	460V 22H91	OX	OX	OX	OX	OX
	575V 75W92	OX	OX	OX	OX	OX
SCCR Rated, Standard Static	208/230V 22H90	OX	OX	OX	OX	OX
	460V 17J93	OX	OX	OX	OX	OX
	575V 17J98	OX	OX	OX	OX	OX
<b>CONDENSER REHEAT OPTION (CAV AND SINGLE ZONE VAV) MODELS ONLY</b>						
Dehumidification Option	Factory	O	O	O	O	O
Humidity Sensor Kit, Remote mounted (required)	17M50	X	X	X	X	X
<b>CABINET</b>						
Combination Coil/Hail Guards	Eco-Last™ Coil System 15T92	X				
	15T93		X	X	X	X
	Conventional Fin/Tube Condenser Coil 13T08	X				
	13T12		X	X	X	X

<sup>1</sup> Field installed Power Exhaust requires Economizer with Outdoor Air Hood and Downflow Barometric Relief Dampers with Exhaust Hood. Must be ordered separately.

NOTE - Catalog numbers shown are for ordering field installed accessories.

OX - Configure To Order (Factory Installed) or Field Installed

O = Configure To Order (Factory Installed)

X = Field Installed

## OPTIONS / ACCESSORIES

Item Description	Catalog Number	Unit Model No				
		156	180	210	240	300
<b>ROOF CURBS</b>						
<b>Hybrid Roof Curbs, Downflow</b>						
8 in. height	11F58	X	X	X	X	X
14 in. height	11F59	X	X	X	X	X
18 in. height	11F60	X	X	X	X	X
24 in. height	11F61	X	X	X	X	X
<b>Adjustable Pitch Curb</b>						
14 in. height	43W26	X	X	X	X	X
<b>Standard Roof Curbs, Horizontal - Requires Horizontal Return Air Panel Kit</b>						
26 in. height - slab applications	11T89	X	X	X	X	
30 in. height - slab applications	11T90					X
37 in. height - rooftop applications	11T96	X	X	X	X	
41 in. height - rooftop applications	11T97					X
<b>Insulation Kit For Standard Horizontal Roof Curbs</b>						
For 26 in. Curb	73K32	X	X	X	X	
For 30 in. Curb	73K33					X
For 37 in. Curb	73K34	X	X	X	X	
For 41 in. Curb	73K35					X
<b>Horizontal Return Air Panel Kit</b>						
Required for Horizontal Applications with Roof Curb	87M00	X	X	X	X	X
<b>CEILING DIFFUSERS</b>						
Step-Down - Order one	RTD11-185S	13K63	X	X		
	RTD11-275S	13K64			X	X
Flush - Order one	FD11-185S	13K58	X	X		
	FD11-275S	13K59			X	X
Transitions (Supply and Return) - Order one	C1DIFF33C-1	12X68	X	X		
	C1DIFF34C-1	12X70			X	X

NOTE - Catalog numbers shown are for ordering field installed accessories.

OX - Configure To Order (Factory Installed) or Field Installed

O = Configure To Order (Factory Installed)

X = Field Installed

## SPECIFICATIONS

General Data		13 Ton	13 Ton	13 Ton	
Nominal Tonnage		13 Ton	13 Ton	13 Ton	
Model Number		LGH156H4B	LGH156H4V	LGH156H4M	
Efficiency Type		High	High	High	
Blower Type		CAV (Constant Air Volume)	VAV (Variable Air Volume)	Single Zone VAV Supply Fan	
<b>Cooling Performance</b>	Gross Cooling Capacity - Btuh	154,000	152,000	154,000	
	<sup>1</sup> Net Cooling Capacity - Btuh	150,000	148,000	150,000	
	AHRI Rated Air Flow - cfm	5000	4600	5000	
	Total Unit Power - kW	12.5	12.3	12.5	
	<sup>1</sup> EER (Btuh/Watt)	12.0	12.0	12.0	
	<sup>2</sup> IEER (Btuh/Watt)	13.2	14.5	14.1	
<b>Refrigerant Charge</b>	Refrigerant Type	R-410A	R-410A	R-410A	
	Eco-Last™ Coil System	Circuit 1	5 lbs. 12 oz.	5 lbs. 0 oz.	5 lbs. 12 oz.
		Circuit 2	5 lbs. 4 oz.	5 lbs. 8 oz.	5 lbs. 4 oz.
		Circuit 3	5 lbs. 10 oz.	5 lbs. 0 oz.	5 lbs. 10 oz.
	Eco-Last™ Coil System with Dehumidification	Circuit 1	5 lbs. 14 oz.	---	5 lbs. 14 oz.
		Circuit 2	5 lbs. 8 oz.	---	5 lbs. 8 oz.
		Circuit 3	5 lbs. 12 oz.	---	5 lbs. 12 oz.
	Conventional Fin/Tube Coil Option	Circuit 1	10 lbs. 0 oz.	---	10 lbs. 0 oz.
		Circuit 2	10 lbs. 0 oz.	---	10 lbs. 0 oz.
		Circuit 3	9 lbs. 8 oz.	---	9 lbs. 8 oz.
	Conventional Fin/Tube With	Circuit 1	12 lbs. 0 oz.	---	12 lbs. 0 oz.
		Circuit 2	12 lbs. 0 oz.	---	12 lbs. 0 oz.
Circuit 3		9 lbs. 8 oz.	---	9 lbs. 8 oz.	
<b>Gas Heating Options Available</b>		See page 33			
<b>Compressor Type (number)</b>		Scroll (3)	Scroll (3)	Scroll (3)	
<b>Outdoor Coils</b>	Net face area (total) - sq. ft.	41.4	41.4	41.4	
	<b>Eco-Last™</b> Number of rows	1 (2)	1 (2)	1 (2)	
	<b>(Fin/Tube)</b> Fins per inch	23 (20)	23 (20)	23 (20)	
<b>Outdoor Coil Fans</b>	Motor - (No.) horsepower	(3) 1/3	(3) 1/3	(3) 1/3	
	Motor rpm	1075	1075	1075	
	Total Motor watts	1100	1100	1100	
	Diameter - (No.) in.	(3) 24	(3) 24	(3) 24	
	Number of blades	3	3	3	
	Total Air volume - cfm	12,000	12,000	12,000	
<b>Indoor Coils</b>	Net face area (total) - sq. ft.	21.4	21.4	21.4	
	Tube diameter - in.	3/8	3/8	3/8	
	Number of rows	3	3	3	
	Fins per inch	14	14	14	
	Drain connection - No. and size	(1) 1 in. FPT	(1) 1 in. FPT	(1) 1 in. FPT	
Expansion device type		Balance port TXV, removable head			
<sup>3</sup> <b>Indoor Blower and Drive Selection</b>	Nominal motor output	2 hp, 3 hp, 5 hp			
	Max. usable motor output (US)	2.3 hp, 3.45 hp, 5.75 hp			
	Motor - Drive kit number	<b>2 hp</b> <b>Kit 1</b> 535-725 rpm <b>Kit 2</b> 710-965 rpm <b>3 hp Std. Eff.</b> <b>Kit 1</b> 535-725 rpm <b>Kit 2</b> 710-965 rpm <b>3 hp High. Eff.</b> <b>Kit 3</b> 685-856 rpm <b>Kit 4</b> 850-1045 rpm <b>5 hp</b> <b>Kit 3</b> - 685-856 rpm <b>Kit 4</b> 850-1045 rpm <b>Kit 5</b> 945-1185 rpm			
	Blower wheel nominal D x W - in.	(2) 15 x 15 in.	(2) 15 x 15 in.	(2) 15 x 15 in.	
	<b>Filters</b>	Type of filter	Fiberglass, disposable		
		Number and size - in.	(6) 24 x 24 x 2		
	<b>Electrical characteristics</b>		208/230V, 460V or 575V - 60 hertz - 3 phase		

NOTE - Net capacity includes evaporator blower motor heat deduction. Gross capacity does not include evaporator blower motor heat deduction.

<sup>1</sup> AHRI Certified to AHRI Standard 340/360; 95°F outdoor air temperature and 80°F db/67°F wb entering evaporator air; minimum external duct static pressure.

<sup>2</sup> Integrated Energy Efficiency Ratio tested according to AHRI Standard 340/360.

<sup>3</sup> Using total air volume and system static pressure requirements determine from blower performance tables rpm and motor output required. Maximum usable output of motors furnished are shown. In Canada, nominal motor output is also maximum usable motor output. If motors of comparable output are used, be sure to keep within the service factor limitations outlined on the motor nameplate.

NOTE - Units equipped with Single Zone Vav option are limited to a motor service factor of 1.0.

## SPECIFICATIONS

General Data		Nominal Tonnage	15 Ton	15 Ton	15 Ton	17.5 Ton	17.5 Ton	
Model Number			LGH180H4B	LGH180H4V	LGH180H4M	LGH210H4B	LGH210H4M	
Efficiency Type			High	High	High	High	High	
Blower Type			CAV (Constant Air Volume)	VAV (Variable Air Volume)	Single Zone VAV Supply Fan	CAV (Constant Air Volume)	Single Zone VAV Supply Fan	
<b>Cooling Performance</b>	Gross Cooling Capacity - Btuh		176,000	176,000	176,000	204,000	204,000	
	<sup>1</sup> Net Cooling Capacity - Btuh		172,000	172,000	172,000	198,000	198,000	
	AHRI Rated Air Flow - cfm		5250	5250	5250	6125	6125	
	Total Unit Power - kW		14.3	14.3	14.3	16.5	16.5	
	<sup>1</sup> EER (Btuh/Watt)		12.0	12.0	12.0	12.0	12.0	
	<sup>2</sup> IEER (Btuh/Watt)		13.5	15.2	13.7	13.0	14.0	
<b>Refrigerant Charge</b>	Refrigerant Type		R-410A	R-410A	R-410A	R-410A	R-410A	
	Eco-Last™ Coil System	Circuit 1	6 lbs. 0 oz.	5 lbs. 4 oz.	6 lbs. 0 oz.	6 lbs. 12 oz.	6 lbs. 12 oz.	
		Circuit 2	5 lbs. 10 oz.	5 lbs. 8 oz.	5 lbs. 10 oz.	6 lbs. 14 oz.	6 lbs. 14 oz.	
		Circuit 3	5 lbs. 14 oz.	5 lbs. 8 oz.	5 lbs. 14 oz.	6 lbs. 14 oz.	6 lbs. 14 oz.	
	Eco-Last™ Coil System with Dehumidification	Circuit 1	6 lbs. 8 oz.	---	6 lbs. 8 oz.	7 lbs. 4 oz.	7 lbs. 4 oz.	
		Circuit 2	5 lbs. 12 oz.	---	5 lbs. 12 oz.	7 lbs. 0 oz.	7 lbs. 0 oz.	
		Circuit 3	6 lbs. 9 oz.	---	6 lbs. 9 oz.	6 lbs. 4 oz.	6 lbs. 4 oz.	
	Conventional Fin/Tube Coil Option	Circuit 1	12 lbs. 8 oz.	---	12 lbs. 8 oz.	13 lbs. 0 oz.	13 lbs. 0 oz.	
		Circuit 2	12 lbs. 8 oz.	---	12 lbs. 8 oz.	13 lbs. 0 oz.	13 lbs. 0 oz.	
		Circuit 3	12 lbs. 8 oz.	---	12 lbs. 8 oz.	13 lbs. 0 oz.	13 lbs. 0 oz.	
	Conventional Fin/Tube With	Circuit 1	14 lbs. 8 oz.	---	14 lbs. 8 oz.	15 lbs. 0 oz.	15 lbs. 0 oz.	
		Circuit 2	14 lbs. 8 oz.	---	14 lbs. 8 oz.	15 lbs. 0 oz.	15 lbs. 0 oz.	
		Circuit 3	12 lbs. 8 oz.	---	12 lbs. 8 oz.	13 lbs. 0 oz.	13 lbs. 0 oz.	
	<b>Gas Heating Options Available</b>			See page 33				
	<b>Compressor Type (number)</b>			Scroll (3)	Scroll (3)	Scroll (3)	Scroll (3)	Scroll (3)
<b>Outdoor Coils</b>	Net face area (total) - sq. ft.		55.2	55.2	55.2	55.2	55.2	
	Eco-Last™ (Fin/Tube) Number of rows		1 (2)	1 (2)	1 (2)	1 (2)	1 (2)	
	Fins per inch		23 (20)	23 (20)	23 (20)	23 (20)	23 (20)	
<b>Outdoor Coil Fans</b>	Motor - (No.) horsepower		(4) 1/3	(4) 1/3	(4) 1/3	(6) 1/3	(6) 1/3	
	Motor rpm		1075	1075	1075	1075	1075	
	Total Motor watts		1500	1500	1500	1950	1950	
	Diameter - (No.) in.		(4) 24	(4) 24	(4) 24	(6) 24	(6) 24	
	Number of blades		3	3	3	3	3	
	Total Air volume - cfm		16,000	16,000	16,000	20,000	20,000	
	<b>Indoor Coils</b>	Net face area (total) - sq. ft.		21.4	21.4	21.4	21.4	21.4
Tube diameter - in.		3/8	3/8	3/8	3/8	3/8		
Number of rows		3	3	3	4	4		
Fins per inch		14	14	14	14	14		
Drain connection - No. and size		(1) 1 in. FPT	(1) 1 in. FPT	(1) 1 in. FPT	(1) 1 in. FPT	(1) 1 in. FPT		
Expansion device type		Balance port TXV, removable head						
<sup>3</sup> Indoor Blower and Drive Selection	Nominal motor output		3 hp, 5 hp, 7.5 hp					
	Max. usable motor output (US)		3.45 hp, 5.75 hp, 8.62 hp					
	Motor - Drive kit number		<b>3 hp Std. Eff.</b> Kit 1 535-725 rpm Kit 2 710-965 rpm <b>3 hp High. Eff.</b> Kit 3 - 685-856 rpm Kit 4 850-1045 rpm <b>5 hp</b> Kit 3 685-856 rpm Kit 4 850-1045 rpm Kit 5 945-1185 rpm <b>7.5 hp</b> Kit 6 850-1045 rpm Kit 7 945-1185 rpm Kit 8 1045-1285 rpm					
	Blower wheel nominal D x W - in.		(2) 15 x 15					
	<b>Filters</b>	Type of filter		Fiberglass, disposable				
		Number and size - in.		(6) 24 x 24 x 2				
	<b>Electrical characteristics</b>			208/230V, 460V or 575V - 60 hertz - 3 phase				

NOTE - Net capacity includes evaporator blower motor heat deduction. Gross capacity does not include evaporator blower motor heat deduction.

<sup>1</sup> AHRI Certified to AHRI Standard 340/360; 95°F outdoor air temperature and 80°F db/67°F wb entering evaporator air; minimum external duct static pressure.

<sup>2</sup> Integrated Energy Efficiency Ratio tested according to AHRI Standard 340/360.

<sup>3</sup> Using total air volume and system static pressure requirements determine from blower performance tables rpm and motor output required. Maximum usable output of motors furnished are shown. In Canada, nominal motor output is also maximum usable motor output. If motors of comparable output are used, be sure to keep within the service factor limitations outlined on the motor nameplate.

NOTE - Units equipped with Single Zone Vav option are limited to a motor service factor of 1.0.

## SPECIFICATIONS

General Data		Nominal Tonnage	20 Ton	20 Ton	20 Ton	
		Model Number	LGH240H4B	LGH240H4V	LGH240H4M	
		Efficiency Type	High	High	High	
		Blower Type	CAV (Constant Air Volume)	VAV (Variable Air Volume)	Single Zone VAV Supply Fan	
<b>Cooling Performance</b>	Gross Cooling Capacity - Btuh		238,000	238,000	238,000	
	<sup>1</sup> Net Cooling Capacity - Btuh		230,000	230,000	230,000	
	AHRI Rated Air Flow - cfm		6400	6400	6400	
	Total Unit Power - kW		19.2	19.2	19.2	
	<sup>1</sup> EER (Btuh/Watt)		12.0	12.0	12.0	
	<sup>2</sup> IEER (Btuh/Watt)		13.2	16.0	14.5	
<b>Refrigerant Charge</b>	Refrigerant Type		R-410A	R-410A	R-410A	
	Eco-Last™ Coil System	Circuit 1	6 lbs. 4 oz.	6 lbs. 2 oz.	6 lbs. 4 oz.	
		Circuit 2	6 lbs. 2 oz.	6 lbs. 6 oz.	6 lbs. 2 oz.	
		Circuit 3	5 lbs. 14 oz.	6 lbs. 0 oz.	5 lbs. 14 oz.	
		Circuit 4	5 lbs. 6 oz.	6 lbs. 10 oz.	5 lbs. 6 oz.	
	Eco-Last™ Coil System with Dehumidification	Circuit 1	6 lbs. 4 oz.	---	6 lbs. 4 oz.	
		Circuit 2	5 lbs. 10 oz.	---	5 lbs. 10 oz.	
		Circuit 3	4 lbs. 14 oz.	---	4 lbs. 14 oz.	
		Circuit 4	4 lbs. 14 oz.	---	4 lbs. 14 oz.	
	Conventional Fin/Tube Coil Option	Circuit 1	10 lbs. 0 oz.	---	10 lbs. 0 oz.	
		Circuit 2	10 lbs. 0 oz.	---	10 lbs. 0 oz.	
		Circuit 3	10 lbs. 0 oz.	---	10 lbs. 0 oz.	
		Circuit 4	8 lbs. 12 oz.	---	8 lbs. 12 oz.	
	Conventional Fin/Tube With	Circuit 1	12 lbs. 0 oz.	---	12 lbs. 0 oz.	
		Circuit 2	12 lbs. 0 oz.	---	12 lbs. 0 oz.	
		Circuit 3	10 lbs. 0 oz.	---	10 lbs. 0 oz.	
		Circuit 4	8 lbs. 12 oz.	---	8 lbs. 12 oz.	
	<b>Gas Heating Options Available</b>			See page 33		
	<b>Compressor Type (number)</b>			Scroll (4)	Scroll (4)	Scroll (4)
	<b>Outdoor Coils</b>	Net face area (total) - sq. ft.		55.2	55.2	55.2
		<b>Eco-Last™ (Fin/Tube)</b>	Number of rows Fins per inch	1 (2) 23 (20)	1 (2) 23 (20)	1 (2) 23 (20)
<b>Outdoor Coil Fans</b>	Motor - (No.) horsepower		(6) 1/3	(6) 1/3	(6) 1/3	
	Motor rpm - Total Motor watts		1075 - 1950	1075 - 1950	1075 - 1950	
	Diameter - (No.) in. - No. of blades		(6) 24 - 3	(6) 24 - 3	(6) 24 - 3	
	Total Air volume - cfm		20,000	20,000	20,000	
<b>Indoor Coils</b>	Net face area (total) - sq. ft.		21.4	21.4	21.4	
	Tube diameter - in.		3/8	3/8	3/8	
	Number of rows		4	4	4	
	Fins per inch		14	14	14	
	Drain connection - No. and size		(1) 1 in. FPT	(1) 1 in. FPT	(1) 1 in. FPT	
		Expansion device type	Balance port TXV, removable head			
<sup>3</sup> <b>Indoor Blower and Drive Selection</b>	Nominal motor output		5 hp, 7.5 hp, 10 hp			
	Maximum usable motor output (US Only)		5.75 hp, 8.62 hp, 11.5 hp			
	Motor - Drive kit number		<b>5 hp</b> <b>Kit 3</b> 685-856 rpm <b>Kit 4</b> 850-1045 rpm <b>Kit 5</b> 945-1185 rpm <b>7.5 hp</b> <b>Kit 6</b> 850-1045 rpm <b>Kit 7</b> 945-1185 rpm <b>Kit 8</b> 1045-1285 rpm <b>10 hp</b> <b>Kit 7</b> 945-1185 rpm <b>Kit 10</b> 1045-1285 rpm <b>Kit 11</b> 1135-1365 rpm			
		Blower wheel nom. D x W - in.	(2) 15 x 15			
<b>Filters</b>	Type of filter		Fiberglass, disposable			
	Number and size - in.		(6) 24 x 24 x 2			
<b>Electrical characteristics</b>			208/230V, 460V or 575V - 60 hertz - 3 phase			

NOTE - Net capacity includes evaporator blower motor heat deduction. Gross capacity does not include evaporator blower motor heat deduction.

<sup>1</sup> AHRI Certified to AHRI Standard 340/360; 95°F outdoor air temperature and 80°F db/67°F wb entering evaporator air; minimum external duct static pressure.

<sup>2</sup> Integrated Energy Efficiency Ratio tested according to AHRI Standard 340/360.

<sup>3</sup> Using total air volume and system static pressure requirements determine from blower performance tables rpm and motor output required. Maximum usable output of motors furnished are shown. In Canada, nominal motor output is also maximum usable motor output. If motors of comparable output are used, be sure to keep within the service factor limitations outlined on the motor nameplate.

NOTE - Units equipped with Single Zone Vav option are limited to a motor service factor of 1.0.

## SPECIFICATIONS

General Data		Nominal Tonnage	25 Ton	25 Ton
		<b>Model Number</b>	<b>LGH300S4B</b>	<b>LGH300S4M</b>
		<b>Efficiency Type</b>	<b>Standard</b>	<b>Standard</b>
		<b>Blower Type</b>	CAV (Constant Air Volume)	Single Zone VAV Supply Fan
<b>Cooling Performance</b>	Gross Cooling Capacity - Btuh		281,000	281,000
	<sup>1</sup> Net Cooling Capacity - Btuh		270,000	270,000
	AHRI Rated Air Flow - cfm		8400	8400
	Total Unit Power - kW		25.7	25.7
	<sup>1</sup> EER (Btuh/Watt)		10.5	10.5
	<sup>2</sup> IEER (Btuh/Watt)		11.4	13.8
<b>Refrigerant Charge</b>		<b>Refrigerant Type</b>	R-410A	R-410A
Eco-Last™ Coil System with Dehumidification	Eco-Last™ Coil System	Circuit 1	6 lbs. 4 oz.	6 lbs. 4 oz.
		Circuit 2	5 lbs. 10 oz.	5 lbs. 10 oz.
		Circuit 3	6 lbs. 6 oz.	6 lbs. 6 oz.
		Circuit 4	6 lbs. 0 oz.	6 lbs. 0 oz.
	Eco-Last™ Coil System with Dehumidification	Circuit 1	7 lbs. 8 oz.	7 lbs. 8 oz.
		Circuit 2	6 lbs. 4 oz.	6 lbs. 4 oz.
		Circuit 3	6 lbs. 2 oz.	6 lbs. 2 oz.
		Circuit 4	5 lbs. 14 oz.	5 lbs. 14 oz.
	Conventional Fin/Tube Coil Option	Circuit 1	10 lbs. 8 oz.	10 lbs. 8 oz.
		Circuit 2	10 lbs. 0 oz.	10 lbs. 0 oz.
		Circuit 3	9 lbs. 12 oz.	9 lbs. 12 oz.
		Circuit 4	9 lbs. 12 oz.	9 lbs. 12 oz.
	Conventional Fin/Tube With	Circuit 1	12 lbs. 12 oz.	12 lbs. 12 oz.
		Circuit 2	11 lbs. 12 oz.	11 lbs. 12 oz.
		Circuit 3	9 lbs. 12 oz.	9 lbs. 12 oz.
		Circuit 4	9 lbs. 12 oz.	9 lbs. 12 oz.
<b>Gas Heating Options Available</b>		See page 33		
<b>Compressor Type (number)</b>		Scroll (4)		
<b>Outdoor Coils</b>	Net face area (total) - sq. ft.	55.2		
	<b>Eco-Last™ (Fin/Tube)</b>	Number of rows	1 (2)	
		Fins per inch	23 (20)	
<b>Outdoor Coil Fans</b>	Motor - (No.) horsepower	(6) 1/3		
	Motor rpm -Total Motor watts	1075 - 1950		
	Diameter - (No.) in. - No. of blades	(6) 24 - 3		
	Total Air volume - cfm	20,000		
<b>Indoor Coils</b>	Net face area (total) - sq. ft.	21.4		
	Tube diameter - in.	3/8		
	Number of rows	4		
	Fins per inch	14		
	Drain connection - No. and size	(1) 1 in. FPT		
	Expansion device type	Balance port TXV, removable head		
<sup>3</sup> <b>Indoor Blower and Drive Selection</b>	Nominal motor output	5 hp, 7.5 hp, 10 hp		
	Maximum usable motor output (US Only)	5.75 hp, 8.62 hp, 11.5 hp		
	Motor - Drive kit number	<b>5 hp</b> <b>Kit 3</b> 685-856 rpm <b>Kit 4</b> 850-1045 rpm <b>Kit 5</b> 945-1185 rpm <b>7.5 hp</b> <b>Kit 6</b> 850-1045 rpm <b>Kit 7</b> 945-1185 rpm <b>Kit 8</b> 1045-1285 rpm <b>10 hp</b> <b>Kit 7</b> 945-1185 rpm <b>Kit 10</b> 1045-1285 rpm <b>Kit 11</b> 1135-1365 rpm		
	Blower wheel nom. D x W - in.	(2) 15 x 15		
<b>Filters</b>	Type of filter	Fiberglass, disposable		
	Number and size - in.	(6) 24 x 24 x 2		
<b>Electrical characteristics</b>		208/230V, 460V or 575V - 60 hertz - 3 phase		

NOTE - Net capacity includes evaporator blower motor heat deduction. Gross capacity does not include evaporator blower motor heat deduction.

<sup>1</sup> AHRI Certified to AHRI Standard 340/360; 95°F outdoor air temperature and 80°F db/67°F wb entering evaporator air; minimum external duct static pressure.

<sup>2</sup> Integrated Energy Efficiency Ratio tested according to AHRI Standard 340/360.

<sup>3</sup> Using total air volume and system static pressure requirements determine from blower performance tables rpm and motor output required. Maximum usable output of motors furnished are shown. In Canada, nominal motor output is also maximum usable motor output. If motors of comparable output are used, be sure to keep within the service factor limitations outlined on the motor nameplate.

NOTE – Units equipped with Single Zone Vav option are limited to a motor service factor of 1.0.



## SPECIFICATIONS - GAS HEAT

Usage Data		Model Number	LGH156 LGH180 LGH210	LGH156 LGH180 LGH210 LGH240 LGH300	LGH180 LGH210 LGH240 LGH300	
		Heat Input Type	Low (L)	Standard (S)	Medium (M)	High (H)
		Number of Gas Heat Stages	1	2	2	2
<b>Gas Heating Performance (Two-Stage)</b>	Input - Btuh	First Stage	169,000	169,000	234,000	312,000
		Second Stage	N/A	260,000	360,000	480,000
	Output - Btuh	First Stage	135,000	---	---	---
		Second Stage	N/A	208,000	288,000	384,000
<sup>1</sup> <b>Gas Heating Performance (Four-Stage)</b>	Input - Btuh	First Stage	N/A	84,500	117,000	156,000
		Second Stage	N/A	169,000	234,000	312,000
		Third Stage	N/A	214,000	297,000	396,000
		Fourth Stage	N/A	260,000	360,000	480,000
	Output - Btuh	First Stage	135,000	---	---	---
		Second Stage	N/A	---	---	---
		Third Stage	N/A	---	---	---
		Fourth Stage	N/A	208,000	288,000	384,000
Temperature Rise Range - °F		15 - 45	15 - 45	30 - 60	40 - 70	
Thermal Efficiency		80.0%	80.0%	80.0%	80.0%	
Gas Supply Connections		1 in. npt	1 in. npt	1 in. npt	1 in. npt	
Recommended Gas Supply Pressure - in. w.g.	Natural	7	7	7	7	
	LPG/Propane	11	11	11	11	

<sup>1</sup> Four-stage gas heating is enabled when zone sensor, Discharge Air Control, or fresh air tempering mode is selected. (Available when using the CS8500 thermostat or when connected to Building Automation Systems using BACnet, LonTalk, or S-Bus protocols)

## HIGH ALTITUDE DERATE

Units may be installed at altitudes up to 2000 feet above sea level without any modification.

At altitudes above 2000 feet, units must be derated to match gas manifold pressures shown in table below.

At altitudes above 4500 feet unit must be derated 2% for each 1000 feet above sea level.

NOTE – This is the only permissible derate for these units.

### TWO-STAGE

Gas Heat Type (Two-Stage)	Altitude - ft.	Gas Manifold Pressure - in. w.g.		Input Rate Natural Gas or LPG/Propane - Btuh	
		Natural Gas	LPG/Propane Gas	First Stage	Second Stage
Low (L)		No adjustment required			
Standard (S)	2001 - 4500	3.4	9.6	169,000	249,000
Medium (M)	2001 - 4500	3.4	9.6	234,000	345,000
High (H)	2001 - 4500	3.4	9.6	312,000	460,000

### FOUR-STAGE

<sup>1</sup> Gas Heat Type (Four-Stage)	Altitude - ft.	Gas Manifold Pressure - in. w.g.		Input Rate Natural Gas or LPG/Propane - Btuh			
		Natural Gas	LPG/Propane Gas	First Stage	Second Stage	Third Stage	Fourth Stage
Low (L)		No adjustment required					
Standard (S)	2001 - 4500	3.4	9.6	84,000	169,000	209,000	249,000
Medium (M)	2001 - 4500	3.4	9.6	117,000	234,000	289,000	345,000
High (H)	2001 - 4500	3.4	9.6	156,000	312,000	386,000	460,000

<sup>1</sup> Four-Stage Gas Heating is field configured.

# RATINGS

NOTE – For Temperatures and Capacities not shown in tables, see bulletin – Cooling Unit Rating Table Correction Factor Data in Miscellaneous Engineering Data section.

## 13 TON HIGH EFFICIENCY LGH156H4B (1ST STAGE) - CONSTANT AIR VOLUME

Entering Wet Bulb Temperature	Total Air Volume	Outdoor Air Temperature Entering Outdoor Coil																			
		65°F					75°F					85°F					95°F				
		Total Cool Cap.	Comp. Motor Input	Sensible To Total Ratio (S/T)			Total Cool Cap.	Comp. Motor Input	Sensible To Total Ratio (S/T)			Total Cool Cap.	Comp. Motor Input	Sensible To Total Ratio (S/T)			Total Cool Cap.	Comp. Motor Input	Sensible To Total Ratio (S/T)		
				Dry Bulb					Dry Bulb					Dry Bulb					Dry Bulb		
cfm	kBtuh	kW	75°F	80°F	85°F	kBtuh	kW	75°F	80°F	85°F	kBtuh	kW	75°F	80°F	85°F	kBtuh	kW	75°F	80°F	85°F	
63°F	4160	110.6	4.68	0.67	0.80	0.93	103.7	5.30	0.68	0.81	0.95	96.4	5.97	0.68	0.82	0.97	88.8	6.74	0.68	0.84	0.99
	5200	117.9	4.73	0.72	0.87	0.99	110.4	5.34	0.72	0.88	1.00	102.7	6.01	0.73	0.90	1.00	94.7	6.78	0.74	0.93	1.00
	6240	123.1	4.77	0.76	0.93	1.00	115.4	5.38	0.77	0.95	1.00	107.5	6.05	0.79	0.97	1.00	99.3	6.81	0.80	0.99	1.00
67°F	4160	118.4	4.73	0.54	0.65	0.77	111.2	5.34	0.53	0.65	0.78	103.8	6.02	0.52	0.66	0.79	96.0	6.79	0.52	0.66	0.80
	5200	126.0	4.79	0.57	0.70	0.83	118.4	5.39	0.56	0.70	0.85	110.5	6.07	0.56	0.71	0.86	102.2	6.83	0.56	0.72	0.89
	6240	131.7	4.83	0.59	0.74	0.90	123.6	5.43	0.59	0.75	0.91	115.4	6.11	0.59	0.76	0.94	106.7	6.87	0.59	0.78	0.96
71°F	4160	126.1	4.78	0.42	0.53	0.63	118.8	5.39	0.40	0.52	0.63	111.2	6.07	0.39	0.52	0.63	103.1	6.84	0.37	0.51	0.64
	5200	134.1	4.84	0.43	0.55	0.67	126.1	5.45	0.41	0.55	0.68	118.0	6.13	0.4	0.55	0.69	109.6	6.89	0.39	0.55	0.70
	6240	140.0	4.88	0.44	0.58	0.72	131.7	5.49	0.42	0.58	0.73	123.3	6.17	0.42	0.59	0.74	114.3	6.93	0.40	0.59	0.76

## 13 TON HIGH EFFICIENCY LGH156H4B (2ND STAGE) - CONSTANT AIR VOLUME

Entering Wet Bulb Temperature	Total Air Volume	Outdoor Air Temperature Entering Outdoor Coil																			
		85°F					95°F					105°F					115°F				
		Total Cool Cap.	Comp. Motor Input	Sensible To Total Ratio (S/T)			Total Cool Cap.	Comp. Motor Input	Sensible To Total Ratio (S/T)			Total Cool Cap.	Comp. Motor Input	Sensible To Total Ratio (S/T)			Total Cool Cap.	Comp. Motor Input	Sensible To Total Ratio (S/T)		
				Dry Bulb					Dry Bulb					Dry Bulb					Dry Bulb		
cfm	kBtuh	kW	75°F	80°F	85°F	kBtuh	kW	75°F	80°F	85°F	kBtuh	kW	75°F	80°F	85°F	kBtuh	kW	75°F	80°F	85°F	
63°F	4160	148.1	9.05	0.70	0.85	0.99	136.5	10.20	0.71	0.87	1.00	124.5	11.51	0.72	0.9	1.00	112.1	13.01	0.73	0.93	1.00
	5200	157.1	9.11	0.76	0.94	1.00	145.1	10.26	0.77	0.96	1.00	132.6	11.57	0.79	0.99	1.00	120.5	13.08	0.81	1.00	1.00
	6240	164.5	9.17	0.82	0.99	1.00	152.7	10.32	0.83	1.00	1.00	141.1	11.64	0.86	1.00	1.00	129.1	13.15	0.89	1.00	1.00
67°F	4160	159.3	9.13	0.54	0.68	0.82	147.4	10.28	0.54	0.69	0.84	135.3	11.59	0.53	0.70	0.86	122.4	13.09	0.53	0.71	0.89
	5200	169.0	9.20	0.58	0.74	0.90	156.5	10.35	0.58	0.75	0.92	143.4	11.66	0.58	0.77	0.95	129.8	13.16	0.58	0.79	0.98
	6240	175.9	9.25	0.61	0.80	0.97	162.7	10.40	0.62	0.81	0.99	149.1	11.71	0.62	0.83	1.00	135.2	13.2	0.63	0.86	1.00
71°F	4160	170.4	9.21	0.40	0.53	0.66	158.1	10.36	0.38	0.53	0.66	145.8	11.68	0.37	0.53	0.67	132.6	13.18	0.35	0.52	0.69
	5200	180.5	9.29	0.41	0.57	0.72	167.6	10.44	0.41	0.57	0.73	154.2	11.75	0.39	0.57	0.74	140.5	13.25	0.37	0.58	0.76
	6240	187.9	9.35	0.43	0.61	0.77	174.4	10.50	0.42	0.61	0.79	160.4	11.81	0.41	0.61	0.81	146.2	13.31	0.40	0.62	0.84

## 15 TON HIGH EFFICIENCY LGH180H4B (1ST STAGE) - CONSTANT AIR VOLUME

Entering Wet Bulb Temperature	Total Air Volume	Outdoor Air Temperature Entering Outdoor Coil																			
		65°F					75°F					85°F					95°F				
		Total Cool Cap.	Comp. Motor Input	Sensible To Total Ratio (S/T)			Total Cool Cap.	Comp. Motor Input	Sensible To Total Ratio (S/T)			Total Cool Cap.	Comp. Motor Input	Sensible To Total Ratio (S/T)			Total Cool Cap.	Comp. Motor Input	Sensible To Total Ratio (S/T)		
				Dry Bulb					Dry Bulb					Dry Bulb					Dry Bulb		
cfm	kBtuh	kW	75°F	80°F	85°F	kBtuh	kW	75°F	80°F	85°F	kBtuh	kW	75°F	80°F	85°F	kBtuh	kW	75°F	80°F	85°F	
63°F	4800	127.8	5.04	0.70	0.82	0.93	120.4	5.79	0.7	0.82	0.94	112.8	6.62	0.70	0.83	0.96	104.8	7.53	0.70	0.85	0.98
	6000	136.3	5.05	0.74	0.87	0.99	128.3	5.81	0.75	0.88	1.00	120.1	6.64	0.75	0.90	1.00	111.6	7.56	0.76	0.92	1.00
	7200	142.4	5.05	0.78	0.92	1.00	134.1	5.82	0.79	0.94	1.00	125.4	6.66	0.80	0.96	1.00	116.7	7.58	0.81	0.98	1.00
67°F	4800	136.5	5.05	0.56	0.68	0.79	129.0	5.81	0.55	0.68	0.79	121.1	6.65	0.55	0.68	0.80	112.8	7.56	0.54	0.68	0.81
	6000	145.4	5.06	0.59	0.72	0.84	137.2	5.83	0.58	0.72	0.85	128.8	6.67	0.58	0.73	0.86	120.1	7.60	0.58	0.74	0.88
	7200	151.9	5.06	0.61	0.76	0.89	143.3	5.84	0.61	0.77	0.91	134.5	6.69	0.61	0.78	0.93	125.3	7.62	0.61	0.79	0.95
71°F	4800	145.1	5.06	0.44	0.55	0.65	137.2	5.83	0.42	0.54	0.65	129.2	6.67	0.41	0.54	0.66	120.6	7.60	0.40	0.53	0.66
	6000	154.3	5.07	0.45	0.57	0.70	145.9	5.85	0.43	0.57	0.70	137.2	6.70	0.42	0.57	0.71	128.1	7.63	0.41	0.57	0.71
	7200	161.0	5.08	0.46	0.6	0.74	152.3	5.86	0.44	0.6	0.74	143.1	6.72	0.44	0.6	0.76	133.6	7.66	0.43	0.61	0.77

## 15 TON HIGH EFFICIENCY LGH180H4B (2ND STAGE) - CONSTANT AIR VOLUME

Entering Wet Bulb Temperature	Total Air Volume	Outdoor Air Temperature Entering Outdoor Coil																			
		85°F					95°F					105°F					115°F				
		Total Cool Cap.	Comp. Motor Input	Sensible To Total Ratio (S/T)			Total Cool Cap.	Comp. Motor Input	Sensible To Total Ratio (S/T)			Total Cool Cap.	Comp. Motor Input	Sensible To Total Ratio (S/T)			Total Cool Cap.	Comp. Motor Input	Sensible To Total Ratio (S/T)		
				Dry Bulb					Dry Bulb					Dry Bulb					Dry Bulb		
cfm	kBtuh	kW	75°F	80°F	85°F	kBtuh	kW	75°F	80°F	85°F	kBtuh	kW	75°F	80°F	85°F	kBtuh	kW	75°F	80°F	85°F	
63°F	4800	172.5	9.96	0.71	0.85	0.99	160.1	11.32	0.71	0.87	1.00	146.8	12.83	0.72	0.90	1.00	132.7	14.51	0.74	0.93	1.00
	6000	182.6	9.99	0.77	0.93	1.00	169.5	11.37	0.78	0.95	1.00	155.7	12.89	0.79	0.98	1.00	141.3	14.57	0.81	1.00	1.00
	7200	190.3	10.02	0.82	0.99	1.00	177.3	11.41	0.83	1.00	1.00	164.3	12.94	0.86	1.00	1.00	150.5	14.64	0.89	1.00	1.00
67°F	4800	185.0	10.00	0.55	0.69	0.82	172.1	11.38	0.55	0.69	0.84	158.6	12.90	0.54	0.70	0.86	144.0	14.59	0.54	0.72	0.89
	6000	195.8	10.04	0.58	0.74	0.90	182.1	11.43	0.58	0.76	0.92	167.5	12.96	0.59	0.77	0.95	152.2	14.65	0.59	0.79	0.98
	7200	203.7	10.07	0.62	0.8	0.97	189.3	11.46	0.62	0.81	0.99	173.9	13.00	0.63	0.84	1.00	157.8	14.69	0.63	0.86	1.00
71°F	4800	197.2	10.04	0.41	0.54	0.67	183.9	11.43	0.39	0.54	0.67	169.9	12.97	0.38	0.53	0.68	155.0	14.67	0.36	0.53	0.69
	6000	208.4	10.09	0.42	0.58	0.72	194.2	11.48	0.41	0.58	0.73	179.4	13.03	0.4	0.58	0.75	163.3	14.73	0.38	0.59	0.77
	7200	216.6	10.12	0.43	0.61	0.78	201.8	11.52	0.42	0.62	0.79	186.2	13.07	0.42	0.62	0.81	169.7	14.78	0.41	0.63	0.84

# RATINGS

NOTE – For Temperatures and Capacities not shown in tables, see bulletin – Cooling Unit Rating Table Correction Factor Data in Miscellaneous Engineering Data section.

## 17.5 TON HIGH EFFICIENCY LGH210H4B (1ST STAGE) - CONSTANT AIR VOLUME

Entering Wet Bulb Temperature	Total Air Volume	Outdoor Air Temperature Entering Outdoor Coil																			
		65°F					75°F					85°F					95°F				
		Total Cool Cap.	Comp. Motor Input	Sensible To Total Ratio (S/T)			Total Cool Cap.	Comp. Motor Input	Sensible To Total Ratio (S/T)			Total Cool Cap.	Comp. Motor Input	Sensible To Total Ratio (S/T)			Total Cool Cap.	Comp. Motor Input	Sensible To Total Ratio (S/T)		
				Dry Bulb					Dry Bulb					Dry Bulb					Dry Bulb		
cfm	kBtuh	kW	75°F	80°F	85°F	kBtuh	kW	75°F	80°F	85°F	kBtuh	kW	75°F	80°F	85°F	kBtuh	kW	75°F	80°F	85°F	
63°F	5600	142.9	5.49	0.71	0.85	0.97	134.4	6.23	0.72	0.86	0.99	125.5	7.05	0.72	0.88	1.00	116.4	7.97	0.74	0.9	1.00
	7000	151.1	5.54	0.76	0.92	1.00	142.3	6.29	0.77	0.94	1.00	133	7.11	0.79	0.96	1.00	123.5	8.03	0.80	0.98	1.00
	8400	157.9	5.58	0.82	0.98	1.00	148.7	6.34	0.83	1.00	1.00	139.3	7.16	0.84	1.00	1.00	130.5	8.08	0.87	1.00	1.00
67°F	5600	153.6	5.55	0.56	0.69	0.81	144.5	6.30	0.56	0.69	0.83	135.3	7.13	0.56	0.70	0.84	125.7	8.04	0.56	0.71	0.86
	7000	161.9	5.61	0.60	0.74	0.88	152.1	6.36	0.6	0.75	0.90	142.5	7.19	0.60	0.77	0.92	132.2	8.10	0.61	0.78	0.95
	8400	167.9	5.65	0.63	0.79	0.95	157.9	6.41	0.63	0.81	0.97	147.6	7.23	0.63	0.82	0.99	137.0	8.14	0.63	0.84	1.00
71°F	5600	164.4	5.63	0.43	0.55	0.67	154.9	6.38	0.42	0.55	0.67	145.2	7.21	0.41	0.54	0.68	135.3	8.13	0.4	0.55	0.69
	7000	172.9	5.69	0.45	0.59	0.72	162.9	6.45	0.44	0.59	0.73	152.6	7.27	0.43	0.59	0.74	142.1	8.19	0.42	0.60	0.76
	8400	179.1	5.74	0.45	0.62	0.77	168.6	6.49	0.46	0.63	0.79	157.8	7.32	0.45	0.63	0.8	146.5	8.24	0.44	0.64	0.82

## 17.5 TON HIGH EFFICIENCY LGH210H4B (2ND STAGE) - CONSTANT AIR VOLUME

Entering Wet Bulb Temperature	Total Air Volume	Outdoor Air Temperature Entering Outdoor Coil																			
		85°F					95°F					105°F					115°F				
		Total Cool Cap.	Comp. Motor Input	Sensible To Total Ratio (S/T)			Total Cool Cap.	Comp. Motor Input	Sensible To Total Ratio (S/T)			Total Cool Cap.	Comp. Motor Input	Sensible To Total Ratio (S/T)			Total Cool Cap.	Comp. Motor Input	Sensible To Total Ratio (S/T)		
				Dry Bulb					Dry Bulb					Dry Bulb					Dry Bulb		
cfm	kBtuh	kW	75°F	80°F	85°F	kBtuh	kW	75°F	80°F	85°F	kBtuh	kW	75°F	80°F	85°F	kBtuh	kW	75°F	80°F	85°F	
63°F	5600	197.5	11.26	0.71	0.86	0.99	183.2	12.71	0.73	0.89	1.00	168.8	14.37	0.74	0.91	1.00	153.6	16.25	0.75	0.94	1.00
	7000	209.3	11.34	0.78	0.95	1.00	194.5	12.8	0.79	0.97	1.00	179.6	14.45	0.81	0.99	1.00	164.6	16.33	0.83	1.00	1.00
	8400	219.3	11.42	0.83	0.99	1.00	205.2	12.89	0.85	1.00	1.00	190.5	14.55	0.88	1.00	1.00	175.2	16.42	0.91	1.00	1.00
67°F	5600	212.6	11.36	0.55	0.69	0.83	198.1	12.83	0.55	0.70	0.85	182.6	14.48	0.55	0.71	0.87	166.4	16.34	0.55	0.73	0.90
	7000	224.4	11.46	0.59	0.76	0.91	208.9	12.92	0.60	0.77	0.94	192.3	14.56	0.60	0.79	0.96	175.2	16.41	0.60	0.81	0.98
	8400	232.7	11.52	0.62	0.81	0.98	216.2	12.98	0.63	0.83	0.99	199.3	14.62	0.64	0.85	1.00	181.7	16.47	0.64	0.88	1.00
71°F	5600	228.4	11.49	0.41	0.54	0.67	212.9	12.95	0.40	0.54	0.68	197.0	14.60	0.39	0.55	0.69	180.1	16.46	0.38	0.55	0.71
	7000	240.3	11.59	0.42	0.59	0.73	223.9	13.05	0.42	0.59	0.75	206.9	14.69	0.41	0.59	0.76	189.0	16.54	0.40	0.60	0.78
	8400	248.5	11.66	0.44	0.62	0.79	231.5	13.12	0.44	0.63	0.81	214.0	14.75	0.43	0.64	0.83	195.1	16.60	0.42	0.64	0.86

## 20 TON HIGH EFFICIENCY LGH240H4B (1ST STAGE) - CONSTANT AIR VOLUME

Entering Wet Bulb Temperature	Total Air Volume	Outdoor Air Temperature Entering Outdoor Coil																			
		65°F					75°F					85°F					95°F				
		Total Cool Cap.	Comp. Motor Input	Sensible To Total Ratio (S/T)			Total Cool Cap.	Comp. Motor Input	Sensible To Total Ratio (S/T)			Total Cool Cap.	Comp. Motor Input	Sensible To Total Ratio (S/T)			Total Cool Cap.	Comp. Motor Input	Sensible To Total Ratio (S/T)		
				Dry Bulb					Dry Bulb					Dry Bulb					Dry Bulb		
cfm	kBtuh	kW	75°F	80°F	85°F	kBtuh	kW	75°F	80°F	85°F	kBtuh	kW	75°F	80°F	85°F	kBtuh	kW	75°F	80°F	85°F	
63°F	6400	130.1	5.15	0.69	0.81	0.94	123.5	5.86	0.69	0.83	0.96	116.6	6.64	0.70	0.84	0.98	109.3	7.52	0.71	0.86	0.99
	8000	137.5	5.20	0.73	0.88	0.99	130.5	5.91	0.74	0.90	1.00	123.1	6.69	0.75	0.92	1.00	115.6	7.57	0.77	0.94	1.00
	9600	143.4	5.25	0.78	0.94	1.00	136.1	5.96	0.79	0.96	1.00	128.4	6.74	0.81	0.98	1.00	120.6	7.62	0.83	0.99	1.00
67°F	6400	139.2	5.22	0.55	0.66	0.78	132.2	5.93	0.55	0.67	0.79	124.7	6.71	0.55	0.68	0.81	117.0	7.58	0.55	0.69	0.83
	8000	146.6	5.27	0.57	0.71	0.85	139.1	5.99	0.58	0.72	0.86	131.3	6.77	0.58	0.73	0.88	123.0	7.64	0.58	0.75	0.91
	9600	152.1	5.31	0.60	0.76	0.91	144.2	6.03	0.61	0.77	0.93	135.9	6.81	0.62	0.79	0.96	127.2	7.68	0.62	0.81	0.98
71°F	6400	148.1	5.28	0.42	0.53	0.64	140.8	6.00	0.42	0.53	0.65	133.2	6.79	0.41	0.54	0.65	125.1	7.66	0.41	0.53	0.66
	8000	155.9	5.34	0.43	0.56	0.69	148.1	6.06	0.43	0.56	0.69	139.8	6.85	0.42	0.57	0.71	131.2	7.73	0.42	0.58	0.73
	9600	161.6	5.39	0.44	0.59	0.73	153.2	6.11	0.44	0.60	0.75	144.7	6.90	0.44	0.61	0.76	135.7	7.77	0.44	0.62	0.78

## 20 TON HIGH EFFICIENCY LGH240H4B (2ND STAGE) - CONSTANT AIR VOLUME

Entering Wet Bulb Temperature	Total Air Volume	Outdoor Air Temperature Entering Outdoor Coil																			
		85°F					95°F					105°F					115°F				
		Total Cool Cap.	Comp. Motor Input	Sensible To Total Ratio (S/T)			Total Cool Cap.	Comp. Motor Input	Sensible To Total Ratio (S/T)			Total Cool Cap.	Comp. Motor Input	Sensible To Total Ratio (S/T)			Total Cool Cap.	Comp. Motor Input	Sensible To Total Ratio (S/T)		
				Dry Bulb					Dry Bulb					Dry Bulb					Dry Bulb		
cfm	kBtuh	kW	75°F	80°F	85°F	kBtuh	kW	75°F	80°F	85°F	kBtuh	kW	75°F	80°F	85°F	kBtuh	kW	75°F	80°F	85°F	
63°F	6400	236.6	13.31	0.73	0.88	1.00	221.6	15.06	0.74	0.91	1.00	205.8	17.06	0.76	0.94	1.00	189.2	19.35	0.78	0.97	1.00
	8000	249.2	13.43	0.79	0.97	1.00	233.7	15.17	0.80	0.98	1.00	217.5	17.17	0.83	0.99	1.00	201.1	19.47	0.86	1.00	1.00
	9600	260.1	13.53	0.85	1.00	1.00	244.7	15.28	0.87	1.00	1.00	228.9	17.29	0.90	1.00	1.00	212.1	19.59	0.94	1.00	1.00
67°F	6400	252.7	13.46	0.56	0.71	0.85	236.8	15.20	0.57	0.72	0.87	220.0	17.20	0.57	0.73	0.90	202.2	19.48	0.58	0.76	0.93
	8000	264.4	13.57	0.60	0.77	0.93	247.3	15.31	0.61	0.78	0.96	229.6	17.30	0.62	0.81	0.98	210.9	19.57	0.63	0.84	0.99
	9600	272.8	13.66	0.64	0.83	0.99	255.3	15.39	0.64	0.85	1.00	236.8	17.38	0.65	0.88	1.00	217.9	19.65	0.67	0.92	1.00
71°F	6400	269.2	13.62	0.41	0.55	0.68	252.6	15.37	0.41	0.56	0.70	235.2	17.36	0.41	0.56	0.71	216.6	19.64	0.40	0.57	0.73
	8000	281.5	13.75	0.43	0.59	0.74	263.7	15.49	0.43	0.60	0.76	245.0	17.48	0.43	0.61	0.78	225.2	19.74	0.42	0.62	0.81
	9600	289.9	13.83	0.45	0.63	0.81	271.3	15.57	0.45	0.64	0.83	252.0	17.55	0.45	0.65	0.86	231.3	19.81	0.44	0.67	0.89

# RATINGS

NOTE – For Temperatures and Capacities not shown in tables, see bulletin – Cooling Unit Rating Table Correction Factor Data in Miscellaneous Engineering Data section.

## 25 TON STANDARD EFFICIENCY LGH300S4B (1ST STAGE) - CONSTANT AIR VOLUME

Entering Wet Bulb Temperature	Total Air Volume	Outdoor Air Temperature Entering Outdoor Coil																			
		65°F					75°F					85°F					95°F				
		Total Cool Cap.	Comp. Motor Input	Sensible To Total Ratio (S/T) Dry Bulb			Total Cool Cap.	Comp. Motor Input	Sensible To Total Ratio (S/T) Dry Bulb			Total Cool Cap.	Comp. Motor Input	Sensible To Total Ratio (S/T) Dry Bulb			Total Cool Cap.	Comp. Motor Input	Sensible To Total Ratio (S/T) Dry Bulb		
				75°F	80°F	85°F			75°F	80°F	85°F			75°F	80°F	85°F			75°F	80°F	85°F
cfm	kBtuh	kW	75°F	80°F	85°F	kBtuh	kW	75°F	80°F	85°F	kBtuh	kW	75°F	80°F	85°F	kBtuh	kW	75°F	80°F	85°F	
63°F	8000	147.3	6.36	0.70	0.82	0.95	140.6	7.18	0.71	0.84	0.97	134.8	8.10	0.72	0.86	0.99	129.1	9.16	0.73	0.88	1.00
	9500	152.7	6.41	0.73	0.87	0.99	145.9	7.24	0.74	0.90	1.00	140.0	8.16	0.75	0.92	1.00	133.8	9.22	0.77	0.94	1.00
	11000	157.6	6.47	0.75	0.92	1.00	150.5	7.29	0.78	0.95	1.00	144.1	8.22	0.80	0.97	1.00	137.6	9.27	0.82	0.98	1.00
67°F	8000	156.1	6.45	0.55	0.67	0.79	149.2	7.27	0.56	0.68	0.81	142.8	8.20	0.57	0.70	0.83	136.3	9.25	0.57	0.70	0.84
	9500	161.6	6.51	0.57	0.70	0.84	154.0	7.33	0.58	0.71	0.86	147.3	8.26	0.59	0.73	0.88	140.8	9.31	0.60	0.75	0.91
	11000	165.6	6.55	0.59	0.73	0.89	158.2	7.38	0.60	0.76	0.92	151.1	8.31	0.61	0.77	0.94	144.2	9.37	0.63	0.79	0.96
71°F	8000	165.2	6.55	0.42	0.54	0.65	157.7	7.38	0.42	0.54	0.66	151.1	8.31	0.42	0.55	0.67	144.2	9.37	0.43	0.56	0.69
	9500	170.7	6.61	0.43	0.56	0.68	162.8	7.44	0.43	0.57	0.70	155.4	8.37	0.44	0.57	0.71	148.2	9.42	0.44	0.58	0.72
	11000	174.8	6.66	0.44	0.58	0.71	166.6	7.49	0.45	0.59	0.73	159.1	8.42	0.44	0.60	0.75	151.8	9.47	0.45	0.61	0.77

## 25 TON STANDARD EFFICIENCY LGH300S4B (2ND STAGE) - CONSTANT AIR VOLUME

Entering Wet Bulb Temperature	Total Air Volume	Outdoor Air Temperature Entering Outdoor Coil																			
		85°F					95°F					105°F					115°F				
		Total Cool Cap.	Comp. Motor Input	Sensible To Total Ratio (S/T) Dry Bulb			Total Cool Cap.	Comp. Motor Input	Sensible To Total Ratio (S/T) Dry Bulb			Total Cool Cap.	Comp. Motor Input	Sensible To Total Ratio (S/T) Dry Bulb			Total Cool Cap.	Comp. Motor Input	Sensible To Total Ratio (S/T) Dry Bulb		
				75°F	80°F	85°F			75°F	80°F	85°F			75°F	80°F	85°F			75°F	80°F	85°F
cfm	kBtuh	kW	75°F	80°F	85°F	kBtuh	kW	75°F	80°F	85°F	kBtuh	kW	75°F	80°F	85°F	kBtuh	kW	75°F	80°F	85°F	
63°F	8000	277.2	17.80	0.72	0.87	1.00	264.6	19.95	0.74	0.89	1.00	251.7	22.43	0.75	0.92	1.00	238.5	25.35	0.78	0.95	1.00
	9500	287.2	17.97	0.76	0.93	1.00	273.8	20.12	0.78	0.96	1.00	260.1	22.59	0.80	0.98	1.00	246.0	25.49	0.83	1.00	1.00
	11000	295.0	18.11	0.80	0.98	1.00	280.6	20.25	0.83	1.00	1.00	267.4	22.73	0.85	1.00	1.00	254.5	25.68	0.88	1.00	1.00
67°F	8000	293.2	18.08	0.57	0.70	0.83	279.6	20.23	0.58	0.71	0.86	265.8	22.71	0.59	0.73	0.88	251.7	25.63	0.60	0.75	0.91
	9500	302.9	18.25	0.59	0.74	0.89	288.4	20.39	0.60	0.76	0.92	273.9	22.86	0.62	0.78	0.95	258.8	25.78	0.63	0.80	0.98
	11000	310.1	18.38	0.62	0.78	0.95	295.3	20.52	0.63	0.80	0.98	279.9	22.99	0.64	0.83	1.00	264.5	25.89	0.65	0.85	1.00
71°F	8000	310.0	18.38	0.43	0.56	0.68	295.5	20.53	0.43	0.57	0.69	280.6	23.00	0.43	0.58	0.71	265.8	25.92	0.44	0.59	0.73
	9500	319.0	18.54	0.44	0.58	0.72	304.0	20.68	0.44	0.59	0.74	288.9	23.17	0.45	0.61	0.75	273.0	26.07	0.45	0.62	0.78
	11000	326.9	18.68	0.44	0.61	0.76	311.2	20.82	0.45	0.62	0.78	294.9	23.29	0.46	0.63	0.80	278.5	26.19	0.47	0.65	0.83

# RATINGS

NOTE – For Temperatures and Capacities not shown in tables, see bulletin – Cooling Unit Rating Table Correction Factor Data in Miscellaneous Engineering Data section.

## 13 TON HIGH EFFICIENCY LGH156H4V (1 COMPRESSOR OPERATING) - VARIABLE AIR VOLUME

Entering Wet Bulb Temperature	Total Air Volume	Outdoor Air Temperature Entering Outdoor Coil																							
		65°F						75°F						85°F						95°F					
		Total Cool Cap.	Comp. Motor Input	Sensible To Total Ratio (S/T)			Total Cool Cap.	Comp. Motor Input	Sensible To Total Ratio (S/T)			Total Cool Cap.	Comp. Motor Input	Sensible To Total Ratio (S/T)			Total Cool Cap.	Comp. Motor Input	Sensible To Total Ratio (S/T)						
				Dry Bulb					Dry Bulb					Dry Bulb					Dry Bulb						
cfm	kBtuh	kW	75°F	80°F	85°F	kBtuh	kW	75°F	80°F	85°F	kBtuh	kW	75°F	80°F	85°F	kBtuh	kW	75°F	80°F	85°F					
63°F	1500	51.8	2.25	0.74	0.87	0.96	49.5	2.58	0.74	0.88	0.96	46.9	2.93	0.75	0.89	0.97	44.3	3.33	0.76	0.9	0.98				
	1800	54.2	2.25	0.77	0.9	0.98	51.7	2.59	0.78	0.91	0.99	49.1	2.95	0.79	0.92	1	46.3	3.34	0.79	0.93	1				
	2100	56.1	2.26	0.8	0.93	1	53.5	2.6	0.8	0.94	1	50.8	2.96	0.81	0.95	1	47.9	3.35	0.83	0.96	1				
67°F	1500	54.3	2.25	0.49	0.69	0.83	51.9	2.59	0.49	0.69	0.84	49.4	2.95	0.48	0.7	0.85	46.6	3.34	0.48	0.71	0.87				
	1800	56.8	2.26	0.51	0.73	0.87	54.2	2.6	0.51	0.73	0.88	51.4	2.96	0.5	0.75	0.89	48.5	3.35	0.51	0.76	0.9				
	2100	58.7	2.27	0.53	0.76	0.9	56	2.61	0.53	0.77	0.91	53.2	2.97	0.53	0.78	0.92	50.2	3.36	0.53	0.79	0.94				
71°F	1500	57.1	2.26	0.25	0.45	0.64	54.5	2.6	0.24	0.45	0.64	51.9	2.96	0.22	0.44	0.65	49	3.36	0.21	0.44	0.66				
	1800	59.5	2.27	0.24	0.47	0.68	56.9	2.61	0.23	0.47	0.68	54	2.97	0.22	0.47	0.69	51.1	3.37	0.21	0.47	0.72				
	2100	61.4	2.28	0.24	0.49	0.71	58.7	2.62	0.23	0.49	0.73	55.7	2.98	0.22	0.5	0.74	52.6	3.38	0.21	0.5	0.76				

## 13 TON HIGH EFFICIENCY LGH156H4V (2 COMPRESSORS OPERATING) - VARIABLE AIR VOLUME

Entering Wet Bulb Temperature	Total Air Volume	Outdoor Air Temperature Entering Outdoor Coil																							
		65°F						75°F						85°F						95°F					
		Total Cool Cap.	Comp. Motor Input	Sensible To Total Ratio (S/T)			Total Cool Cap.	Comp. Motor Input	Sensible To Total Ratio (S/T)			Total Cool Cap.	Comp. Motor Input	Sensible To Total Ratio (S/T)			Total Cool Cap.	Comp. Motor Input	Sensible To Total Ratio (S/T)						
				Dry Bulb					Dry Bulb					Dry Bulb					Dry Bulb						
cfm	kBtuh	kW	75°F	80°F	85°F	kBtuh	kW	75°F	80°F	85°F	kBtuh	kW	75°F	80°F	85°F	kBtuh	kW	75°F	80°F	85°F					
63°F	3000	108.4	4.56	0.72	0.85	0.96	103.3	5.23	0.72	0.86	0.98	97.8	5.95	0.73	0.88	0.99	91.9	6.75	0.74	0.89	0.99				
	3500	112.5	4.58	0.75	0.89	0.99	107	5.25	0.75	0.9	1	101	5.97	0.76	0.92	1	95.2	6.77	0.78	0.94	1				
	4000	115.7	4.6	0.77	0.93	1	110.2	5.26	0.79	0.94	1	104.5	5.99	0.8	0.96	1	98.5	6.79	0.81	0.98	1				
67°F	3000	114.4	4.59	0.57	0.7	0.82	109.1	5.26	0.57	0.7	0.83	103.6	5.98	0.58	0.71	0.84	97.6	6.78	0.58	0.72	0.86				
	3500	119	4.61	0.59	0.73	0.86	113.4	5.28	0.59	0.74	0.87	107.5	6.01	0.6	0.75	0.89	101.2	6.81	0.6	0.76	0.91				
	4000	122.6	4.63	0.61	0.75	0.9	116.8	5.3	0.61	0.76	0.92	110.6	6.03	0.62	0.78	0.93	104	6.83	0.62	0.8	0.95				
71°F	3000	120	4.61	0.44	0.56	0.68	114.6	5.29	0.43	0.56	0.68	108.9	6.01	0.43	0.56	0.69	102.7	6.82	0.42	0.57	0.7				
	3500	125	4.64	0.44	0.58	0.7	119.1	5.31	0.44	0.58	0.71	113	6.04	0.44	0.58	0.72	106.7	6.85	0.44	0.59	0.74				
	4000	128.8	4.65	0.45	0.59	0.73	122.8	5.33	0.45	0.6	0.74	116.4	6.06	0.45	0.61	0.76	109.7	6.86	0.45	0.62	0.77				

## 13 TON HIGH EFFICIENCY LGH156H4V (3 COMPRESSORS OPERATING) - VARIABLE AIR VOLUME

Entering Wet Bulb Temperature	Total Air Volume	Outdoor Air Temperature Entering Outdoor Coil																							
		85°F						95°F						105°F						115°F					
		Total Cool Cap.	Comp. Motor Input	Sensible To Total Ratio (S/T)			Total Cool Cap.	Comp. Motor Input	Sensible To Total Ratio (S/T)			Total Cool Cap.	Comp. Motor Input	Sensible To Total Ratio (S/T)			Total Cool Cap.	Comp. Motor Input	Sensible To Total Ratio (S/T)						
				Dry Bulb					Dry Bulb					Dry Bulb					Dry Bulb						
cfm	kBtuh	kW	75°F	80°F	85°F	kBtuh	kW	75°F	80°F	85°F	kBtuh	kW	75°F	80°F	85°F	kBtuh	kW	75°F	80°F	85°F					
63°F	4160	151.8	9.02	0.72	0.84	0.95	143.1	10.22	0.72	0.85	0.97	133.7	11.57	0.74	0.87	0.99	123.6	13.1	0.75	0.89	1				
	5200	159.9	9.07	0.77	0.9	1	150.4	10.28	0.78	0.92	1	140.4	11.62	0.79	0.94	1	130.1	13.15	0.81	0.97	1				
	6240	166	9.1	0.81	0.96	1	156.6	10.32	0.83	0.98	1	146.6	11.67	0.84	0.99	1	136.2	13.2	0.87	1	1				
67°F	4160	158.6	9.05	0.56	0.7	0.81	149.2	10.26	0.56	0.71	0.82	139.5	11.61	0.57	0.71	0.84	129.3	13.15	0.58	0.73	0.86				
	5200	166.6	9.1	0.59	0.74	0.87	157.1	10.32	0.59	0.75	0.89	146.9	11.67	0.62	0.77	0.91	135.9	13.2	0.63	0.79	0.94				
	6240	172.9	9.14	0.62	0.79	0.93	162.9	10.36	0.64	0.8	0.95	152.2	11.71	0.64	0.82	0.98	140.6	13.24	0.66	0.84	0.99				
71°F	4160	167.9	9.11	0.42	0.55	0.68	158.5	10.33	0.42	0.56	0.68	147.9	11.68	0.41	0.55	0.7	136.8	13.2	0.41	0.56	0.71				
	5200	175.8	9.16	0.44	0.59	0.72	165.6	10.37	0.44	0.59	0.74	154.7	11.73	0.43	0.6	0.76	142.8	13.25	0.43	0.61	0.77				
	6240	181.9	9.2	0.46	0.62	0.77	170.8	10.41	0.46	0.63	0.79	159.5	11.77	0.45	0.64	0.81	147.1	13.29	0.45	0.65	0.83				

# RATINGS

NOTE – For Temperatures and Capacities not shown in tables, see bulletin – Cooling Unit Rating Table Correction Factor Data in Miscellaneous Engineering Data section.

## 15 TON HIGH EFFICIENCY LGH180H4V (1 COMPRESSOR OPERATING) - VARIABLE AIR VOLUME

Entering Wet Bulb Temperature	Total Air Volume	Outdoor Air Temperature Entering Outdoor Coil																			
		65°F					75°F					85°F					95°F				
		Total Cool Cap.	Comp. Motor Input	Sensible To Total Ratio (S/T)			Total Cool Cap.	Comp. Motor Input	Sensible To Total Ratio (S/T)			Total Cool Cap.	Comp. Motor Input	Sensible To Total Ratio (S/T)			Total Cool Cap.	Comp. Motor Input	Sensible To Total Ratio (S/T)		
				Dry Bulb					Dry Bulb					Dry Bulb					Dry Bulb		
cfm	kBtuh	kW	75°F	80°F	85°F	kBtuh	kW	75°F	80°F	85°F	kBtuh	kW	75°F	80°F	85°F	kBtuh	kW	75°F	80°F	85°F	
63°F	1600	58.6	2.51	0.58	0.73	0.87	55.8	2.87	0.59	0.74	0.89	52.7	3.25	0.59	0.75	0.9	49.5	3.67	0.59	0.77	0.93
	2000	62.3	2.53	0.62	0.78	0.93	59.2	2.89	0.62	0.79	0.95	55.9	3.27	0.63	0.81	0.97	52.4	3.68	0.64	0.83	0.99
	2400	65	2.55	0.64	0.83	0.98	61.7	2.9	0.65	0.85	0.99	58.3	3.28	0.67	0.87	1	54.7	3.7	0.68	0.89	1
67°F	1600	61.7	2.53	0.39	0.54	0.68	58.7	2.88	0.39	0.55	0.69	55.6	3.26	0.38	0.55	0.7	52.2	3.68	0.37	0.55	0.72
	2000	65.3	2.55	0.4	0.58	0.73	62.1	2.91	0.4	0.58	0.75	58.8	3.28	0.4	0.59	0.77	55.2	3.7	0.39	0.6	0.78
	2400	68.1	2.57	0.42	0.61	0.78	64.7	2.92	0.42	0.62	0.8	61.2	3.3	0.42	0.63	0.82	57.4	3.71	0.42	0.64	0.84
71°F	1600	64.9	2.55	0.2	0.36	0.5	61.8	2.9	0.19	0.35	0.5	58.6	3.28	0.18	0.35	0.51	55.2	3.7	0.16	0.34	0.51
	2000	68.5	2.57	0.2	0.37	0.53	65.3	2.92	0.18	0.37	0.54	61.9	3.3	0.17	0.37	0.54	58.2	3.71	0.16	0.36	0.56
	2400	71.3	2.59	0.19	0.39	0.57	67.9	2.94	0.19	0.39	0.58	64.3	3.32	0.17	0.39	0.59	60.5	3.73	0.16	0.39	0.61

## 15 TON HIGH EFFICIENCY LGH180H4V (2 COMPRESSORS OPERATING) - VARIABLE AIR VOLUME

Entering Wet Bulb Temperature	Total Air Volume	Outdoor Air Temperature Entering Outdoor Coil																			
		65°F					75°F					85°F					95°F				
		Total Cool Cap.	Comp. Motor Input	Sensible To Total Ratio (S/T)			Total Cool Cap.	Comp. Motor Input	Sensible To Total Ratio (S/T)			Total Cool Cap.	Comp. Motor Input	Sensible To Total Ratio (S/T)			Total Cool Cap.	Comp. Motor Input	Sensible To Total Ratio (S/T)		
				Dry Bulb					Dry Bulb					Dry Bulb					Dry Bulb		
cfm	kBtuh	kW	75°F	80°F	85°F	kBtuh	kW	75°F	80°F	85°F	kBtuh	kW	75°F	80°F	85°F	kBtuh	kW	75°F	80°F	85°F	
63°F	3200	124.3	5.08	0.7	0.82	0.94	117.9	5.79	0.71	0.83	0.95	111.2	6.55	0.71	0.85	0.97	104.2	7.38	0.72	0.86	0.98
	4000	131.8	5.13	0.74	0.87	0.99	125	5.83	0.75	0.89	0.99	117.8	6.59	0.76	0.91	1	110.2	7.42	0.77	0.93	1
	4800	137.2	5.16	0.78	0.93	1	130.1	5.86	0.79	0.94	1	122.9	6.62	0.8	0.96	1	115.5	7.45	0.81	0.98	1
67°F	3200	131.5	5.13	0.56	0.68	0.79	124.9	5.83	0.56	0.68	0.8	118.2	6.59	0.56	0.69	0.81	111.1	7.42	0.56	0.7	0.83
	4000	139.8	5.18	0.58	0.72	0.84	132.7	5.88	0.59	0.73	0.86	125.3	6.63	0.59	0.74	0.88	117.7	7.47	0.59	0.75	0.9
	4800	145.6	5.22	0.61	0.76	0.9	138.3	5.92	0.61	0.77	0.91	130.6	6.67	0.62	0.78	0.93	122.5	7.5	0.62	0.8	0.96
71°F	3200	138	5.16	0.43	0.55	0.66	131.5	5.87	0.43	0.55	0.66	124.5	6.63	0.42	0.55	0.67	117.2	7.46	0.42	0.55	0.68
	4000	146.8	5.22	0.44	0.57	0.69	139.7	5.93	0.43	0.58	0.71	132.2	6.68	0.44	0.58	0.72	124.3	7.51	0.43	0.58	0.73
	4800	153.2	5.27	0.45	0.6	0.73	145.7	5.97	0.45	0.6	0.75	137.9	6.72	0.44	0.61	0.76	129.7	7.55	0.44	0.61	0.77

## 15 TON HIGH EFFICIENCY LGH180H4V (3 COMPRESSORS OPERATING) - VARIABLE AIR VOLUME

Entering Wet Bulb Temperature	Total Air Volume	Outdoor Air Temperature Entering Outdoor Coil																			
		85°F					95°F					105°F					115°F				
		Total Cool Cap.	Comp. Motor Input	Sensible To Total Ratio (S/T)			Total Cool Cap.	Comp. Motor Input	Sensible To Total Ratio (S/T)			Total Cool Cap.	Comp. Motor Input	Sensible To Total Ratio (S/T)			Total Cool Cap.	Comp. Motor Input	Sensible To Total Ratio (S/T)		
				Dry Bulb					Dry Bulb					Dry Bulb					Dry Bulb		
cfm	kBtuh	kW	75°F	80°F	85°F	kBtuh	kW	75°F	80°F	85°F	kBtuh	kW	75°F	80°F	85°F	kBtuh	kW	75°F	80°F	85°F	
63°F	4800	176.3	9.9	0.72	0.83	0.95	165.8	11.16	0.72	0.85	0.96	154.7	12.56	0.73	0.86	0.98	142.9	14.15	0.74	0.88	0.99
	6000	186.7	9.96	0.76	0.89	0.99	175.2	11.21	0.77	0.91	1	163.4	12.62	0.79	0.93	1	151.1	14.22	0.8	0.96	1
	7200	193.9	10.01	0.8	0.95	1	182.5	11.26	0.82	0.97	1	170.8	12.67	0.83	0.99	1	158.6	14.27	0.86	1	1
67°F	4800	185.5	9.96	0.55	0.69	0.8	174.1	11.2	0.55	0.7	0.82	162.3	12.61	0.57	0.71	0.83	150	14.21	0.57	0.73	0.85
	6000	195.1	10.01	0.59	0.74	0.86	183.2	11.26	0.6	0.74	0.88	171.2	12.67	0.59	0.76	0.9	158.6	14.26	0.61	0.78	0.93
	7200	202.7	10.06	0.62	0.78	0.92	190.7	11.32	0.62	0.79	0.94	178.1	12.72	0.64	0.81	0.96	164.7	14.3	0.64	0.83	0.99
71°F	4800	197	10.03	0.42	0.55	0.67	185.4	11.28	0.42	0.54	0.67	173.3	12.68	0.42	0.54	0.69	160.4	14.27	0.41	0.55	0.7
	6000	207.2	10.09	0.43	0.57	0.71	194.6	11.34	0.44	0.59	0.73	181.8	12.74	0.43	0.6	0.74	168.5	14.34	0.43	0.6	0.76
	7200	214.6	10.14	0.45	0.6	0.76	201.4	11.39	0.46	0.62	0.78	188.3	12.79	0.45	0.62	0.79	174.1	14.38	0.44	0.64	0.81



# RATINGS

NOTE – For Temperatures and Capacities not shown in tables, see bulletin – Cooling Unit Rating Table Correction Factor Data in Miscellaneous Engineering Data section.

## 20 TON HIGH EFFICIENCY LGH240H4V (1 COMPRESSOR OPERATING) - VARIABLE AIR VOLUME

Entering Wet Bulb Temperature	Total Air Volume	Outdoor Air Temperature Entering Outdoor Coil																			
		65°F					75°F					85°F					95°F				
		Total Cool Cap.	Comp. Motor Input	Sensible To Total Ratio (S/T)			Total Cool Cap.	Comp. Motor Input	Sensible To Total Ratio (S/T)			Total Cool Cap.	Comp. Motor Input	Sensible To Total Ratio (S/T)			Total Cool Cap.	Comp. Motor Input	Sensible To Total Ratio (S/T)		
				Dry Bulb					Dry Bulb					Dry Bulb					Dry Bulb		
cfm	kBtuh	kW	75°F	80°F	85°F	kBtuh	kW	75°F	80°F	85°F	kBtuh	kW	75°F	80°F	85°F	kBtuh	kW	75°F	80°F	85°F	
63°F	1600	58.5	2.59	0.59	0.74	0.87	56	2.96	0.6	0.75	0.89	53.3	3.36	0.6	0.76	0.91	50.4	3.79	0.61	0.78	0.93
	2000	62	2.59	0.62	0.79	0.93	59.3	2.97	0.63	0.8	0.95	56.5	3.36	0.64	0.82	0.96	53.4	3.79	0.65	0.84	0.98
	2400	64.6	2.6	0.66	0.83	0.97	61.9	2.98	0.66	0.85	0.99	58.9	3.37	0.68	0.87	1	55.7	3.81	0.69	0.89	1
67°F	1600	61.3	2.59	0.4	0.55	0.69	58.7	2.96	0.39	0.55	0.7	56	3.36	0.39	0.56	0.71	53.1	3.8	0.39	0.57	0.73
	2000	64.8	2.61	0.41	0.58	0.74	62.1	2.97	0.41	0.59	0.75	59.2	3.37	0.41	0.6	0.77	56.1	3.81	0.41	0.61	0.79
	2400	67.6	2.62	0.43	0.62	0.78	64.7	2.98	0.43	0.62	0.8	61.6	3.38	0.43	0.64	0.82	58.3	3.81	0.43	0.65	0.84
71°F	1600	64.3	2.6	0.21	0.36	0.51	61.6	2.97	0.2	0.36	0.51	58.8	3.36	0.19	0.36	0.52	55.9	3.8	0.18	0.36	0.52
	2000	67.9	2.61	0.2	0.37	0.54	65.1	2.98	0.19	0.38	0.55	62.1	3.38	0.18	0.38	0.56	58.9	3.81	0.18	0.38	0.57
	2400	70.7	2.63	0.2	0.39	0.57	67.7	2.99	0.19	0.4	0.58	64.5	3.39	0.19	0.4	0.6	61.2	3.82	0.18	0.4	0.62

## 20 TON HIGH EFFICIENCY LGH240H4V (2 COMPRESSORS OPERATING) - VARIABLE AIR VOLUME

Entering Wet Bulb Temperature	Total Air Volume	Outdoor Air Temperature Entering Outdoor Coil																			
		65°F					75°F					85°F					95°F				
		Total Cool Cap.	Comp. Motor Input	Sensible To Total Ratio (S/T)			Total Cool Cap.	Comp. Motor Input	Sensible To Total Ratio (S/T)			Total Cool Cap.	Comp. Motor Input	Sensible To Total Ratio (S/T)			Total Cool Cap.	Comp. Motor Input	Sensible To Total Ratio (S/T)		
				Dry Bulb					Dry Bulb					Dry Bulb					Dry Bulb		
cfm	kBtuh	kW	75°F	80°F	85°F	kBtuh	kW	75°F	80°F	85°F	kBtuh	kW	75°F	80°F	85°F	kBtuh	kW	75°F	80°F	85°F	
63°F	3200	123.6	5.16	0.71	0.82	0.94	118	5.89	0.71	0.83	0.95	112.2	6.68	0.72	0.85	0.97	105.9	7.54	0.73	0.86	0.98
	4000	130.9	5.19	0.74	0.88	0.99	124.9	5.92	0.75	0.89	0.99	118.5	6.7	0.76	0.91	1	111.8	7.56	0.77	0.93	1
	4800	136.2	5.21	0.78	0.93	1	129.9	5.94	0.79	0.94	1	123.5	6.72	0.8	0.96	1	116.9	7.58	0.82	0.98	1
67°F	3200	130.5	5.19	0.57	0.68	0.79	124.8	5.92	0.57	0.69	0.8	118.9	6.71	0.57	0.7	0.81	112.4	7.56	0.57	0.71	0.83
	4000	138.5	5.22	0.58	0.72	0.84	132.3	5.95	0.59	0.73	0.86	125.9	6.73	0.6	0.74	0.87	119	7.59	0.6	0.75	0.9
	4800	144.3	5.25	0.61	0.75	0.9	137.9	5.98	0.61	0.77	0.91	130.9	6.75	0.62	0.78	0.93	123.8	7.61	0.63	0.8	0.95
71°F	3200	136.8	5.22	0.44	0.55	0.66	131	5.95	0.43	0.55	0.67	124.9	6.73	0.43	0.55	0.68	118.4	7.59	0.42	0.56	0.68
	4000	145.2	5.26	0.44	0.57	0.7	139	5.98	0.44	0.58	0.71	132.4	6.76	0.44	0.59	0.72	125.5	7.62	0.44	0.59	0.73
	4800	151.6	5.29	0.45	0.59	0.73	145	6.01	0.45	0.6	0.74	137.9	6.78	0.44	0.61	0.76	130.6	7.64	0.45	0.62	0.78

## 20 TON HIGH EFFICIENCY LGH240H4V (3 COMPRESSORS OPERATING) - VARIABLE AIR VOLUME

Entering Wet Bulb Temperature	Total Air Volume	Outdoor Air Temperature Entering Outdoor Coil																			
		65°F					75°F					85°F					95°F				
		Total Cool Cap.	Comp. Motor Input	Sensible To Total Ratio (S/T)			Total Cool Cap.	Comp. Motor Input	Sensible To Total Ratio (S/T)			Total Cool Cap.	Comp. Motor Input	Sensible To Total Ratio (S/T)			Total Cool Cap.	Comp. Motor Input	Sensible To Total Ratio (S/T)		
				Dry Bulb					Dry Bulb					Dry Bulb					Dry Bulb		
cfm	kBtuh	kW	75°F	80°F	85°F	kBtuh	kW	75°F	80°F	85°F	kBtuh	kW	75°F	80°F	85°F	kBtuh	kW	75°F	80°F	85°F	
63°F	4800	193.8	7.85	0.7	0.82	0.92	185.4	8.96	0.7	0.83	0.93	176.5	10.15	0.71	0.84	0.95	167.1	11.48	0.72	0.85	0.97
	6000	205	7.89	0.73	0.87	0.98	196	8.99	0.75	0.88	0.99	186.4	10.18	0.76	0.9	1	176.4	11.5	0.76	0.91	1
	7200	213.2	7.93	0.78	0.92	1	203.7	9.02	0.78	0.93	1	193.6	10.2	0.81	0.95	1	183.3	11.51	0.81	0.97	1
67°F	4800	204.8	7.89	0.55	0.67	0.78	195.9	9	0.55	0.68	0.8	186.3	10.18	0.55	0.69	0.81	176.2	11.5	0.56	0.7	0.82
	6000	215.3	7.94	0.57	0.72	0.84	205.7	9.02	0.59	0.72	0.85	195.7	10.21	0.59	0.73	0.87	184.7	11.51	0.6	0.75	0.88
	7200	223	7.97	0.61	0.76	0.89	212.8	9.05	0.6	0.77	0.9	202.3	10.23	0.61	0.78	0.92	191.3	11.53	0.62	0.79	0.94
71°F	4800	217.5	7.95	0.42	0.53	0.65	208.3	9.04	0.42	0.53	0.66	198.2	10.21	0.4	0.54	0.67	187.7	11.53	0.41	0.55	0.68
	6000	228.1	8	0.43	0.57	0.69	218.1	9.08	0.43	0.57	0.69	207.6	10.27	0.43	0.57	0.72	196.2	11.56	0.43	0.58	0.73
	7200	235.7	8.04	0.44	0.59	0.73	225.3	9.12	0.43	0.6	0.74	214.2	10.29	0.43	0.6	0.76	202.6	11.59	0.43	0.61	0.77

## 20 TON HIGH EFFICIENCY LGH240H4V (4 COMPRESSORS OPERATING) - VARIABLE AIR VOLUME

Entering Wet Bulb Temperature	Total Air Volume	Outdoor Air Temperature Entering Outdoor Coil																			
		85°F					95°F					105°F					115°F				
		Total Cool Cap.	Comp. Motor Input	Sensible To Total Ratio (S/T)			Total Cool Cap.	Comp. Motor Input	Sensible To Total Ratio (S/T)			Total Cool Cap.	Comp. Motor Input	Sensible To Total Ratio (S/T)			Total Cool Cap.	Comp. Motor Input	Sensible To Total Ratio (S/T)		
				Dry Bulb					Dry Bulb					Dry Bulb					Dry Bulb		
cfm	kBtuh	kW	75°F	80°F	85°F	kBtuh	kW	75°F	80°F	85°F	kBtuh	kW	75°F	80°F	85°F	kBtuh	kW	75°F	80°F	85°F	
63°F	6400	239.3	13.51	0.71	0.84	0.94	226.8	15.27	0.72	0.85	0.96	213.6	17.22	0.74	0.87	0.98	199.4	19.49	0.75	0.89	0.99
	8000	253.6	13.55	0.76	0.89	0.99	240	15.3	0.79	0.91	1	225.8	17.26	0.79	0.93	1	210.7	19.47	0.82	0.95	1
	9600	263.9	13.6	0.81	0.94	1	249.8	15.33	0.83	0.96	1	235.5	17.29	0.84	0.98	1	220.7	19.52	0.86	1	1
67°F	6400	252.7	13.55	0.56	0.69	0.81	238.7	15.3	0.55	0.7	0.82	223.8	17.25	0.56	0.71	0.84	208.4	19.48	0.57	0.74	0.86
	8000	264.1	13.59	0.59	0.74	0.87	249.5	15.33	0.59	0.76	0.88	234.4	17.28	0.6	0.78	0.9	218.8	19.51	0.6	0.8	0.92
	9600	273.4	13.64	0.62	0.8	0.92	258.5	15.36	0.63	0.82	0.94	243.2	17.32	0.63	0.84	0.96	227.4	19.56	0.65	0.84	0.98
71°F	6400	269.1	13.62	0.41	0.54	0.67	254.6	15.34	0.41	0.55	0.67	239.8	17.32	0.4	0.55	0.69	223.6	19.53	0.41	0.56	0.7
	8000	281.4	13.67	0.43	0.58	0.72	266.1	15.41	0.43	0.59	0.74	250.2	17.33	0.41	0.58	0.75	233.4	19.57	0.43	0.59	0.77
	9600	290.2	13.71	0.43	0.61	0.78	274.1	15.44	0.44	0.62	0.79	257.7	17.38	0.46	0.64	0.81	239.9	19.61	0.45	0.65	0.82



# RATINGS

NOTE – For Temperatures and Capacities not shown in tables, see bulletin – Cooling Unit Rating Table Correction Factor Data in Miscellaneous Engineering Data section.

## 13 TON HIGH EFFICIENCY LGH156H4M (1ST STAGE) - SINGLE ZONE VAV SUPPLY AIR BLOWER

Entering Wet Bulb Temperature	Total Air Volume	Outdoor Air Temperature Entering Outdoor Coil																			
		65°F					75°F					85°F					95°F				
		Total Cool Cap.	Comp. Motor Input	Sensible To Total Ratio (S/T)			Total Cool Cap.	Comp. Motor Input	Sensible To Total Ratio (S/T)			Total Cool Cap.	Comp. Motor Input	Sensible To Total Ratio (S/T)			Total Cool Cap.	Comp. Motor Input	Sensible To Total Ratio (S/T)		
				Dry Bulb					Dry Bulb					Dry Bulb					Dry Bulb		
cfm	kBtuh	kW	75°F	80°F	85°F	kBtuh	kW	75°F	80°F	85°F	kBtuh	kW	75°F	80°F	85°F	kBtuh	kW	75°F	80°F	85°F	
63°F	3000	98.5	4.61	0.63	0.73	0.84	92.2	5.23	0.62	0.73	0.84	85.8	5.90	0.61	0.74	0.86	78.9	6.67	0.61	0.74	0.87
	3500	104.4	4.64	0.65	0.76	0.88	97.8	5.26	0.65	0.77	0.89	91.0	5.94	0.64	0.77	0.91	83.8	6.70	0.64	0.79	0.93
	4000	109.2	4.67	0.67	0.79	0.92	102.4	5.29	0.67	0.80	0.93	95.2	5.96	0.67	0.81	0.95	87.7	6.73	0.67	0.83	0.98
67°F	3000	105.7	4.65	0.51	0.60	0.70	99.3	5.27	0.50	0.60	0.70	92.6	5.94	0.48	0.59	0.70	85.6	6.71	0.47	0.59	0.71
	3500	111.8	4.69	0.52	0.62	0.73	105.1	5.30	0.51	0.62	0.73	98.0	5.98	0.50	0.62	0.74	90.7	6.75	0.49	0.62	0.75
	4000	116.9	4.72	0.53	0.65	0.76	109.9	5.33	0.53	0.65	0.77	102.5	6.01	0.52	0.65	0.78	94.8	6.78	0.51	0.65	0.79
71°F	3000	112.9	4.69	0.40	0.49	0.58	106.3	5.31	0.39	0.48	0.58	99.4	5.99	0.37	0.47	0.57	92.2	6.75	0.35	0.46	0.57
	3500	119.3	4.73	0.41	0.51	0.60	112.3	5.35	0.39	0.50	0.60	105.1	6.03	0.38	0.49	0.60	97.4	6.79	0.36	0.48	0.60
	4000	124.5	4.77	0.41	0.52	0.62	117.3	5.38	0.40	0.51	0.62	109.7	6.06	0.39	0.51	0.63	101.7	6.83	0.37	0.50	0.63

## 13 TON HIGH EFFICIENCY LGH156H4M (2ND STAGE) - SINGLE ZONE VAV SUPPLY AIR BLOWER

Entering Wet Bulb Temperature	Total Air Volume	Outdoor Air Temperature Entering Outdoor Coil																			
		85°F					95°F					105°F					115°F				
		Total Cool Cap.	Comp. Motor Input	Sensible To Total Ratio (S/T)			Total Cool Cap.	Comp. Motor Input	Sensible To Total Ratio (S/T)			Total Cool Cap.	Comp. Motor Input	Sensible To Total Ratio (S/T)			Total Cool Cap.	Comp. Motor Input	Sensible To Total Ratio (S/T)		
				Dry Bulb					Dry Bulb					Dry Bulb					Dry Bulb		
cfm	kBtuh	kW	75°F	80°F	85°F	kBtuh	kW	75°F	80°F	85°F	kBtuh	kW	75°F	80°F	85°F	kBtuh	kW	75°F	80°F	85°F	
63°F	4160	148.1	9.05	0.70	0.85	0.99	136.5	10.20	0.71	0.87	1.00	124.5	11.51	0.72	0.9	1.00	112.1	13.01	0.73	0.93	1.00
	5200	157.1	9.11	0.76	0.94	1.00	145.1	10.26	0.77	0.96	1.00	132.6	11.57	0.79	0.99	1.00	120.5	13.08	0.81	1.00	1.00
	6240	164.5	9.17	0.82	0.99	1.00	152.7	10.32	0.83	1.00	1.00	141.1	11.64	0.86	1.00	1.00	129.1	13.15	0.89	1.00	1.00
67°F	4160	159.3	9.13	0.54	0.68	0.82	147.4	10.28	0.54	0.69	0.84	135.3	11.59	0.53	0.70	0.86	122.4	13.09	0.53	0.71	0.89
	5200	169.0	9.20	0.58	0.74	0.90	156.5	10.35	0.58	0.75	0.92	143.4	11.66	0.58	0.77	0.95	129.8	13.16	0.58	0.79	0.98
	6240	175.9	9.25	0.61	0.80	0.97	162.7	10.40	0.62	0.81	0.99	149.1	11.71	0.62	0.83	1.00	135.2	13.20	0.63	0.86	1.00
71°F	4160	170.4	9.21	0.40	0.53	0.66	158.1	10.36	0.38	0.53	0.66	145.8	11.68	0.37	0.53	0.67	132.6	13.18	0.35	0.52	0.69
	5200	180.5	9.29	0.41	0.57	0.72	167.6	10.44	0.41	0.57	0.73	154.2	11.75	0.39	0.57	0.74	140.5	13.25	0.37	0.58	0.76
	6240	187.9	9.35	0.43	0.61	0.77	174.4	10.50	0.42	0.61	0.79	160.4	11.81	0.41	0.61	0.81	146.2	13.31	0.40	0.62	0.84

## 15 TON HIGH EFFICIENCY LGH180H4M (1ST STAGE) - SINGLE ZONE VAV SUPPLY AIR BLOWER

Entering Wet Bulb Temperature	Total Air Volume	Outdoor Air Temperature Entering Outdoor Coil																			
		65°F					75°F					85°F					95°F				
		Total Cool Cap.	Comp. Motor Input	Sensible To Total Ratio (S/T)			Total Cool Cap.	Comp. Motor Input	Sensible To Total Ratio (S/T)			Total Cool Cap.	Comp. Motor Input	Sensible To Total Ratio (S/T)			Total Cool Cap.	Comp. Motor Input	Sensible To Total Ratio (S/T)		
				Dry Bulb					Dry Bulb					Dry Bulb					Dry Bulb		
cfm	kBtuh	kW	75°F	80°F	85°F	kBtuh	kW	75°F	80°F	85°F	kBtuh	kW	75°F	80°F	85°F	kBtuh	kW	75°F	80°F	85°F	
63°F	3500	114.2	5.02	0.65	0.75	0.84	107.7	5.76	0.65	0.75	0.85	100.8	6.58	0.64	0.75	0.86	93.7	7.47	0.64	0.76	0.87
	4000	120.2	5.03	0.67	0.77	0.88	113.3	5.78	0.67	0.78	0.89	106.0	6.59	0.67	0.78	0.9	98.6	7.50	0.66	0.79	0.91
	4500	125.2	5.03	0.69	0.8	0.91	117.9	5.79	0.69	0.8	0.92	110.5	6.61	0.69	0.81	0.93	102.7	7.52	0.69	0.82	0.95
67°F	3500	122.4	5.03	0.53	0.63	0.72	115.6	5.78	0.52	0.62	0.72	108.6	6.60	0.51	0.62	0.72	101.1	7.51	0.5	0.62	0.73
	4000	128.6	5.04	0.54	0.64	0.74	121.4	5.79	0.53	0.64	0.75	114.1	6.62	0.53	0.64	0.75	106.3	7.53	0.52	0.64	0.76
	4500	133.7	5.04	0.55	0.66	0.77	126.3	5.81	0.55	0.66	0.77	118.7	6.64	0.54	0.66	0.78	110.6	7.55	0.53	0.67	0.79
71°F	3500	130.5	5.04	0.42	0.51	0.60	123.5	5.80	0.41	0.51	0.60	116.2	6.63	0.39	0.5	0.6	108.6	7.54	0.37	0.49	0.59
	4000	136.9	5.04	0.43	0.53	0.62	129.5	5.81	0.41	0.52	0.62	121.9	6.65	0.40	0.51	0.62	113.8	7.56	0.38	0.5	0.62
	4500	142.3	5.05	0.43	0.54	0.64	134.6	5.82	0.42	0.53	0.64	126.7	6.66	0.41	0.53	0.64	118.3	7.58	0.39	0.52	0.64

## 15 TON HIGH EFFICIENCY LGH180H4M (2ND STAGE) - SINGLE ZONE VAV SUPPLY AIR BLOWER

Entering Wet Bulb Temperature	Total Air Volume	Outdoor Air Temperature Entering Outdoor Coil																			
		85°F					95°F					105°F					115°F				
		Total Cool Cap.	Comp. Motor Input	Sensible To Total Ratio (S/T)			Total Cool Cap.	Comp. Motor Input	Sensible To Total Ratio (S/T)			Total Cool Cap.	Comp. Motor Input	Sensible To Total Ratio (S/T)			Total Cool Cap.	Comp. Motor Input	Sensible To Total Ratio (S/T)		
				Dry Bulb					Dry Bulb					Dry Bulb					Dry Bulb		
cfm	kBtuh	kW	75°F	80°F	85°F	kBtuh	kW	75°F	80°F	85°F	kBtuh	kW	75°F	80°F	85°F	kBtuh	kW	75°F	80°F	85°F	
63°F	4800	172.5	9.96	0.71	0.85	0.99	160.1	11.32	0.71	0.87	1.00	146.8	12.83	0.72	0.90	1.00	132.7	14.51	0.74	0.93	1.00
	6000	182.6	9.99	0.77	0.93	1.00	169.5	11.37	0.78	0.95	1.00	155.7	12.89	0.79	0.98	1.00	141.3	14.57	0.81	1.00	1.00
	7200	190.3	10.02	0.82	0.99	1.00	177.3	11.41	0.83	1.00	1.00	164.3	12.94	0.86	1.00	1.00	150.5	14.64	0.89	1.00	1.00
67°F	4800	185.0	10.00	0.55	0.69	0.82	172.1	11.38	0.55	0.69	0.84	158.6	12.90	0.54	0.70	0.86	144.0	14.59	0.54	0.72	0.89
	6000	195.8	10.04	0.58	0.74	0.90	182.1	11.43	0.58	0.76	0.92	167.5	12.96	0.59	0.77	0.95	152.2	14.65	0.59	0.79	0.98
	7200	203.7	10.07	0.62	0.8	0.97	189.3	11.46	0.62	0.81	0.99	173.9	13.00	0.63	0.84	1.00	157.8	14.69	0.63	0.86	1.00
71°F	4800	197.2	10.04	0.41	0.54	0.67	183.9	11.43	0.39	0.54	0.67	169.9	12.97	0.38	0.53	0.68	155.0	14.67	0.36	0.53	0.69
	6000	208.4	10.09	0.42	0.58	0.72	194.2	11.48	0.41	0.58	0.73	179.4	13.03	0.4	0.58	0.75	163.3	14.73	0.38	0.59	0.77
	7200	216.6	10.12	0.43	0.61	0.78	201.8	11.52	0.42	0.62	0.79	186.2	13.07	0.42	0.62	0.81	169.7	14.78	0.41	0.63	0.84

# RATINGS

NOTE – For Temperatures and Capacities not shown in tables, see bulletin – Cooling Unit Rating Table Correction Factor Data in Miscellaneous Engineering Data section.

## 17.5 TON HIGH EFFICIENCY LGH210H4M (1ST STAGE) - SINGLE ZONE VAV SUPPLY AIR BLOWER

Entering Wet Bulb Temperature	Total Air Volume	Outdoor Air Temperature Entering Outdoor Coil																			
		65°F					75°F					85°F					95°F				
		Total Cool Cap.	Comp. Motor Input	Sensible To Total Ratio (S/T)			Total Cool Cap.	Comp. Motor Input	Sensible To Total Ratio (S/T)			Total Cool Cap.	Comp. Motor Input	Sensible To Total Ratio (S/T)			Total Cool Cap.	Comp. Motor Input	Sensible To Total Ratio (S/T)		
				Dry Bulb					Dry Bulb					Dry Bulb					Dry Bulb		
cfm	kBtuh	kW	75°F	80°F	85°F	kBtuh	kW	75°F	80°F	85°F	kBtuh	kW	75°F	80°F	85°F	kBtuh	kW	75°F	80°F	85°F	
63°F	4000	128.7	5.41	0.66	0.77	0.87	121.1	6.15	0.65	0.77	0.89	113.4	6.96	0.65	0.78	0.90	105.1	7.88	0.65	0.79	0.92
	4750	136.2	5.45	0.68	0.80	0.92	128.2	6.19	0.68	0.81	0.94	119.8	7.01	0.69	0.83	0.96	111.0	7.93	0.69	0.84	0.98
	5500	142.2	5.48	0.71	0.84	0.97	133.7	6.23	0.71	0.85	0.99	124.9	7.05	0.72	0.87	1.00	115.8	7.96	0.73	0.89	1.00
67°F	4000	138.9	5.46	0.53	0.63	0.73	130.9	6.21	0.52	0.63	0.74	122.6	7.03	0.51	0.63	0.74	114.1	7.95	0.51	0.63	0.75
	4750	146.6	5.51	0.55	0.66	0.77	138.2	6.26	0.54	0.66	0.78	129.5	7.08	0.54	0.66	0.79	120.2	8.00	0.53	0.67	0.81
	5500	152.8	5.55	0.56	0.69	0.81	143.8	6.30	0.56	0.69	0.82	134.7	7.12	0.55	0.70	0.84	125.2	8.04	0.56	0.71	0.85
71°F	4000	149.1	5.52	0.41	0.51	0.61	141.2	6.28	0.40	0.51	0.61	132.3	7.10	0.39	0.50	0.61	123.4	8.02	0.38	0.49	0.61
	4750	157.4	5.58	0.42	0.53	0.64	148.4	6.33	0.41	0.53	0.64	139.4	7.16	0.40	0.53	0.64	129.6	8.07	0.39	0.52	0.65
	5500	163.6	5.62	0.43	0.55	0.66	154.3	6.38	0.42	0.55	0.67	144.6	7.20	0.41	0.54	0.67	134.7	8.12	0.40	0.55	0.68

## 17.5 TON HIGH EFFICIENCY LGH210H4M (2ND STAGE) - SINGLE ZONE VAV SUPPLY AIR BLOWER

Entering Wet Bulb Temperature	Total Air Volume	Outdoor Air Temperature Entering Outdoor Coil																			
		85°F					95°F					105°F					115°F				
		Total Cool Cap.	Comp. Motor Input	Sensible To Total Ratio (S/T)			Total Cool Cap.	Comp. Motor Input	Sensible To Total Ratio (S/T)			Total Cool Cap.	Comp. Motor Input	Sensible To Total Ratio (S/T)			Total Cool Cap.	Comp. Motor Input	Sensible To Total Ratio (S/T)		
				Dry Bulb					Dry Bulb					Dry Bulb					Dry Bulb		
cfm	kBtuh	kW	75°F	80°F	85°F	kBtuh	kW	75°F	80°F	85°F	kBtuh	kW	75°F	80°F	85°F	kBtuh	kW	75°F	80°F	85°F	
63°F	5600	197.5	11.26	0.71	0.86	0.99	183.2	12.71	0.73	0.89	1.00	168.8	14.37	0.74	0.91	1.00	153.6	16.25	0.75	0.94	1.00
	7000	209.3	11.34	0.78	0.95	1.00	194.5	12.8	0.79	0.97	1.00	179.6	14.45	0.81	0.99	1.00	164.6	16.33	0.83	1.00	1.00
	8400	219.3	11.42	0.83	0.99	1.00	205.2	12.89	0.85	1.00	1.00	190.5	14.55	0.88	1.00	1.00	175.2	16.42	0.91	1.00	1.00
67°F	5600	212.6	11.36	0.55	0.69	0.83	198.1	12.83	0.55	0.70	0.85	182.6	14.48	0.55	0.71	0.87	166.4	16.34	0.55	0.73	0.90
	7000	224.4	11.46	0.59	0.76	0.91	208.9	12.92	0.60	0.77	0.94	192.3	14.56	0.60	0.79	0.96	175.2	16.41	0.60	0.81	0.98
	8400	232.7	11.52	0.62	0.81	0.98	216.2	12.98	0.63	0.83	0.99	199.3	14.62	0.64	0.85	1.00	181.7	16.47	0.64	0.88	1.00
71°F	5600	228.4	11.49	0.41	0.54	0.67	212.9	12.95	0.40	0.54	0.68	197.0	14.60	0.39	0.55	0.69	180.1	16.46	0.38	0.55	0.71
	7000	240.3	11.59	0.42	0.59	0.73	223.9	13.05	0.42	0.59	0.75	206.9	14.69	0.41	0.59	0.76	189.0	16.54	0.40	0.60	0.78
	8400	248.5	11.66	0.44	0.62	0.79	231.5	13.12	0.44	0.63	0.81	214.0	14.75	0.43	0.64	0.83	195.1	16.60	0.42	0.64	0.86

## 20 TON HIGH EFFICIENCY LGH240H4M (1ST STAGE) - SINGLE ZONE VAV SUPPLY AIR BLOWER

Entering Wet Bulb Temperature	Total Air Volume	Outdoor Air Temperature Entering Outdoor Coil																			
		65°F					75°F					85°F					95°F				
		Total Cool Cap.	Comp. Motor Input	Sensible To Total Ratio (S/T)			Total Cool Cap.	Comp. Motor Input	Sensible To Total Ratio (S/T)			Total Cool Cap.	Comp. Motor Input	Sensible To Total Ratio (S/T)			Total Cool Cap.	Comp. Motor Input	Sensible To Total Ratio (S/T)		
				Dry Bulb					Dry Bulb					Dry Bulb					Dry Bulb		
cfm	kBtuh	kW	75°F	80°F	85°F	kBtuh	kW	75°F	80°F	85°F	kBtuh	kW	75°F	80°F	85°F	kBtuh	kW	75°F	80°F	85°F	
63°F	4500	116.8	5.07	0.64	0.74	0.84	111.1	5.77	0.64	0.75	0.85	105.1	6.55	0.64	0.75	0.87	98.7	7.43	0.64	0.76	0.88
	5500	124.7	5.12	0.66	0.78	0.90	118.5	5.83	0.67	0.79	0.91	111.8	6.60	0.67	0.80	0.93	104.9	7.48	0.68	0.82	0.95
	6500	130.6	5.16	0.69	0.82	0.95	124.0	5.87	0.70	0.84	0.96	117.1	6.64	0.70	0.85	0.98	109.7	7.52	0.71	0.87	0.99
67°F	4500	125.3	5.12	0.52	0.61	0.71	119.3	5.83	0.52	0.61	0.71	113.0	6.61	0.51	0.62	0.72	106.2	7.49	0.51	0.62	0.73
	5500	133.4	5.18	0.53	0.64	0.75	126.9	5.89	0.53	0.64	0.76	120.0	6.67	0.53	0.65	0.77	112.8	7.55	0.53	0.65	0.78
	6500	139.7	5.22	0.55	0.67	0.79	132.7	5.93	0.55	0.68	0.80	125.2	6.71	0.55	0.68	0.82	117.4	7.59	0.55	0.69	0.83
71°F	4500	133.9	5.18	0.41	0.50	0.59	127.5	5.89	0.40	0.50	0.59	120.9	6.68	0.39	0.50	0.59	113.7	7.55	0.39	0.49	0.59
	5500	142.3	5.24	0.42	0.52	0.62	135.3	5.95	0.41	0.52	0.62	128.2	6.74	0.40	0.52	0.62	120.8	7.62	0.40	0.52	0.63
	6500	148.8	5.29	0.42	0.54	0.64	141.3	6.01	0.42	0.54	0.65	133.7	6.79	0.41	0.54	0.66	125.4	7.66	0.41	0.54	0.67

## 20 TON HIGH EFFICIENCY LGH240H4M (2ND STAGE) - SINGLE ZONE VAV SUPPLY AIR BLOWER

Entering Wet Bulb Temperature	Total Air Volume	Outdoor Air Temperature Entering Outdoor Coil																			
		85°F					95°F					105°F					115°F				
		Total Cool Cap.	Comp. Motor Input	Sensible To Total Ratio (S/T)			Total Cool Cap.	Comp. Motor Input	Sensible To Total Ratio (S/T)			Total Cool Cap.	Comp. Motor Input	Sensible To Total Ratio (S/T)			Total Cool Cap.	Comp. Motor Input	Sensible To Total Ratio (S/T)		
				Dry Bulb					Dry Bulb					Dry Bulb					Dry Bulb		
cfm	kBtuh	kW	75°F	80°F	85°F	kBtuh	kW	75°F	80°F	85°F	kBtuh	kW	75°F	80°F	85°F	kBtuh	kW	75°F	80°F	85°F	
63°F	6400	236.6	13.31	0.73	0.88	1.00	221.6	15.06	0.74	0.91	1.00	205.8	17.06	0.76	0.94	1.00	189.2	19.35	0.78	0.97	1.00
	8000	249.2	13.43	0.79	0.97	1.00	233.7	15.17	0.80	0.98	1.00	217.5	17.17	0.83	0.99	1.00	201.1	19.47	0.86	1.00	1.00
	9600	260.1	13.53	0.85	1.00	1.00	244.7	15.28	0.87	1.00	1.00	228.9	17.29	0.90	1.00	1.00	212.1	19.59	0.94	1.00	1.00
67°F	6400	252.7	13.46	0.56	0.71	0.85	236.8	15.20	0.57	0.72	0.87	220.0	17.20	0.57	0.73	0.90	202.2	19.48	0.58	0.76	0.93
	8000	264.4	13.57	0.60	0.77	0.93	247.3	15.31	0.61	0.78	0.96	229.6	17.30	0.62	0.81	0.98	210.9	19.57	0.63	0.84	0.99
	9600	272.8	13.66	0.64	0.83	0.99	255.3	15.39	0.64	0.85	1.00	236.8	17.38	0.65	0.88	1.00	217.9	19.65	0.67	0.92	1.00
71°F	6400	269.2	13.62	0.41	0.55	0.68	252.6	15.37	0.41	0.56	0.70	235.2	17.36	0.41	0.56	0.71	216.6	19.64	0.40	0.57	0.73
	8000	281.5	13.75	0.43	0.59	0.74	263.7	15.49	0.43	0.60	0.76	245.0	17.48	0.43	0.61	0.78	225.2	19.74	0.42	0.62	0.81
	9600	289.9	13.83	0.45	0.63	0.81	271.3	15.57	0.45	0.64	0.83	252.0	17.55	0.45	0.65	0.86	231.3	19.81	0.44	0.67	0.89

# RATINGS

NOTE – For Temperatures and Capacities not shown in tables, see bulletin – Cooling Unit Rating Table Correction Factor Data in Miscellaneous Engineering Data section.

## 25 TON STANDARD EFFICIENCY LGH300S4M (1ST STAGE) - SINGLE ZONE VAV SUPPLY AIR BLOWER

Entering Wet Bulb Temperature	Total Air Volume	Outdoor Air Temperature Entering Outdoor Coil																							
		65°F						75°F						85°F						95°F					
		Total Cool Cap.	Comp. Motor Input	Sensible To Total Ratio (S/T)			Total Cool Cap.	Comp. Motor Input	Sensible To Total Ratio (S/T)			Total Cool Cap.	Comp. Motor Input	Sensible To Total Ratio (S/T)			Total Cool Cap.	Comp. Motor Input	Sensible To Total Ratio (S/T)						
				Dry Bulb					Dry Bulb					Dry Bulb					Dry Bulb						
cfm	kBtuh	kW	75°F	80°F	85°F	kBtuh	kW	75°F	80°F	85°F	kBtuh	kW	75°F	80°F	85°F	kBtuh	kW	75°F	80°F	85°F					
63°F	5750	135.3	6.25	0.65	0.75	0.86	130.0	7.06	0.66	0.77	0.88	124.8	7.98	0.66	0.78	0.89	119.7	9.04	0.67	0.79	0.91				
	6750	141.3	6.30	0.67	0.79	0.90	135.5	7.12	0.68	0.80	0.92	129.8	8.04	0.69	0.82	0.94	124.3	9.10	0.70	0.83	0.96				
	7750	146.0	6.35	0.69	0.82	0.94	139.8	7.17	0.70	0.84	0.96	133.9	8.09	0.72	0.86	0.98	128.1	9.14	0.73	0.87	0.99				
67°F	5750	143.5	6.32	0.53	0.62	0.72	138.1	7.15	0.53	0.63	0.73	132.4	8.07	0.54	0.64	0.74	126.9	9.13	0.54	0.65	0.76				
	6750	149.9	6.39	0.54	0.64	0.75	143.6	7.21	0.54	0.65	0.77	137.7	8.14	0.55	0.67	0.78	131.9	9.19	0.56	0.67	0.80				
	7750	155.1	6.44	0.55	0.67	0.79	148.1	7.26	0.56	0.68	0.81	141.9	8.19	0.57	0.69	0.82	135.7	9.25	0.57	0.71	0.84				
71°F	5750	151.7	6.41	0.42	0.51	0.60	145.6	7.24	0.42	0.51	0.61	140.1	8.17	0.42	0.52	0.61	134.2	9.23	0.42	0.52	0.62				
	6750	158.3	6.48	0.42	0.52	0.62	151.7	7.31	0.42	0.53	0.63	145.6	8.24	0.42	0.53	0.64	139.7	9.30	0.42	0.54	0.65				
	7750	164.2	6.54	0.42	0.54	0.64	156.7	7.37	0.41	0.54	0.65	150.2	8.30	0.42	0.55	0.67	143.3	9.35	0.43	0.56	0.68				

## 25 TON STANDARD EFFICIENCY LGH300S4M (2ND STAGE) - SINGLE ZONE VAV SUPPLY AIR BLOWER

Entering Wet Bulb Temperature	Total Air Volume	Outdoor Air Temperature Entering Outdoor Coil																							
		85°F						95°F						105°F						115°F					
		Total Cool Cap.	Comp. Motor Input	Sensible To Total Ratio (S/T)			Total Cool Cap.	Comp. Motor Input	Sensible To Total Ratio (S/T)			Total Cool Cap.	Comp. Motor Input	Sensible To Total Ratio (S/T)			Total Cool Cap.	Comp. Motor Input	Sensible To Total Ratio (S/T)						
				Dry Bulb					Dry Bulb					Dry Bulb					Dry Bulb						
cfm	kBtuh	kW	75°F	80°F	85°F	kBtuh	kW	75°F	80°F	85°F	kBtuh	kW	75°F	80°F	85°F	kBtuh	kW	75°F	80°F	85°F					
63°F	8000	277.2	17.80	0.72	0.87	1.00	264.6	19.95	0.74	0.89	1.00	251.7	22.43	0.75	0.92	1.00	238.5	25.35	0.78	0.95	1.00				
	9500	287.2	17.97	0.76	0.93	1.00	273.8	20.12	0.78	0.96	1.00	260.1	22.59	0.80	0.98	1.00	246.0	25.49	0.83	1.00	1.00				
	11000	295.0	18.11	0.80	0.98	1.00	280.6	20.25	0.83	1.00	1.00	267.4	22.73	0.85	1.00	1.00	254.5	25.68	0.88	1.00	1.00				
67°F	8000	293.2	18.08	0.57	0.70	0.83	279.6	20.23	0.58	0.71	0.86	265.8	22.71	0.59	0.73	0.88	251.7	25.63	0.60	0.75	0.91				
	9500	302.9	18.25	0.59	0.74	0.89	288.4	20.39	0.60	0.76	0.92	273.9	22.86	0.62	0.78	0.95	258.8	25.78	0.63	0.80	0.98				
	11000	310.1	18.38	0.62	0.78	0.95	295.3	20.52	0.63	0.80	0.98	279.9	22.99	0.64	0.83	1.00	264.5	25.89	0.65	0.85	1.00				
71°F	8000	310.0	18.38	0.43	0.56	0.68	295.5	20.53	0.43	0.57	0.69	280.6	23.00	0.43	0.58	0.71	265.8	25.92	0.44	0.59	0.73				
	9500	319.0	18.54	0.44	0.58	0.72	304.0	20.68	0.44	0.59	0.74	288.9	23.17	0.45	0.61	0.75	273.0	26.07	0.45	0.62	0.78				
	11000	326.9	18.68	0.44	0.61	0.76	311.2	20.82	0.45	0.62	0.78	294.9	23.29	0.46	0.63	0.80	278.5	26.19	0.47	0.65	0.83				

# DEHUMIDIFICATION SYSTEM RATINGS

## 13 TON HIGH EFFICIENCY LGH156H4 WITH DEHUMIDIFICATION OPERATING (1ST STAGE)

Entering Wet Bulb Temperature	Total Air Volume	Outdoor Air Temperature Entering Outdoor Coil																			
		65°F					75°F					85°F					95°F				
		Total Cool Cap.	Comp. Motor Input	Sensible To Total Ratio (S/T)			Total Cool Cap.	Comp. Motor Input	Sensible To Total Ratio (S/T)			Total Cool Cap.	Comp. Motor Input	Sensible To Total Ratio (S/T)			Total Cool Cap.	Comp. Motor Input	Sensible To Total Ratio (S/T)		
				Dry Bulb					Dry Bulb					Dry Bulb					Dry Bulb		
cfm	kBtuh	kW	75°F	80°F	85°F	kBtuh	kW	75°F	80°F	85°F	kBtuh	kW	75°F	80°F	85°F	kBtuh	kW	75°F	80°F	85°F	
63°F	4160	78.9	4.67	.56	.74	.93	66.3	5.28	.50	.73	.96	53.6	5.89	.45	.72	.99	40.9	6.50	.39	.71	1.00
	5200	86.8	4.71	.58	.80	1.00	72.5	5.30	.52	.79	1.00	58.1	5.89	.47	.78	1.00	43.7	6.48	.41	.77	1.00
	6240	94.7	4.74	.60	.86	1.00	78.7	5.32	.54	.85	1.00	62.6	5.89	.49	.83	1.00	46.6	6.47	.43	.82	1.00
67°F	4160	89.4	4.76	.40	.57	.74	77.1	5.37	.33	.53	.74	64.8	5.98	.26	.49	.73	52.5	6.59	.18	.46	.73
	5200	97.5	4.77	.41	.61	.80	83.6	5.38	.34	.57	.80	69.6	5.98	.26	.53	.80	55.7	6.58	.18	.49	.81
	6240	105.7	4.79	.43	.64	.86	90.1	5.38	.34	.60	.87	74.5	5.98	.26	.57	.88	58.9	6.57	.17	.53	.89
71°F	4160	99.9	4.85	.25	.40	.55	87.9	5.46	.16	.33	.51	76.0	6.07	.07	.27	.47	64.1	6.69	-.03	.20	.43
	5200	108.2	4.84	.25	.41	.58	94.7	5.45	.15	.35	.55	81.2	6.07	.05	.28	.52	67.7	6.68	-.06	.22	.49
	6240	116.6	4.84	.25	.43	.61	101.5	5.45	.14	.36	.59	86.4	6.06	.03	.30	.57	71.3	6.68	-.09	.23	.55

## 13 TON HIGH EFFICIENCY LGH156H4 WITH DEHUMIDIFICATION OPERATING (2ND STAGE)

Entering Wet Bulb Temperature	Total Air Volume	Outdoor Air Temperature Entering Outdoor Coil																			
		65°F					75°F					85°F					95°F				
		Total Cool Cap.	Comp. Motor Input	Sensible To Total Ratio (S/T)			Total Cool Cap.	Comp. Motor Input	Sensible To Total Ratio (S/T)			Total Cool Cap.	Comp. Motor Input	Sensible To Total Ratio (S/T)			Total Cool Cap.	Comp. Motor Input	Sensible To Total Ratio (S/T)		
				Dry Bulb					Dry Bulb					Dry Bulb					Dry Bulb		
cfm	kBtuh	kW	75°F	80°F	85°F	kBtuh	kW	75°F	80°F	85°F	kBtuh	kW	75°F	80°F	85°F	kBtuh	kW	75°F	80°F	85°F	
63°F	4160	131.1	7.12	.64	.82	1.00	116.4	8.10	.62	.83	1.00	101.6	9.08	.60	.84	1.00	86.8	10.05	.57	.85	1.00
	5200	142.5	7.16	.67	.87	1.00	125.8	8.14	.66	.89	1.00	109.2	9.11	.65	.90	1.00	92.6	10.09	.64	.91	1.00
	6240	153.8	7.20	.71	.93	1.00	135.3	8.17	.71	.94	1.00	116.8	9.15	.71	.96	1.00	98.3	10.12	.71	.98	1.00
67°F	4160	148.3	7.23	.47	.63	.79	132.8	8.20	.44	.62	.81	117.3	9.18	.41	.61	.82	101.8	10.15	.37	.61	.84
	5200	160.5	7.28	.49	.67	.85	143.0	8.25	.46	.67	.87	125.4	9.22	.44	.66	.88	107.8	10.19	.41	.65	.90
	6240	172.8	7.33	.51	.71	.91	153.1	8.30	.49	.71	.92	133.5	9.26	.47	.70	.94	113.8	10.23	.44	.70	.96
71°F	4160	165.4	7.34	.31	.45	.59	149.2	8.31	.26	.42	.58	133.0	9.28	.22	.39	.57	116.8	10.24	.17	.36	.56
	5200	178.6	7.40	.31	.47	.63	160.1	8.37	.27	.44	.62	141.6	9.33	.22	.42	.62	123.0	10.29	.17	.39	.62
	6240	191.8	7.46	.32	.49	.67	171.0	8.42	.27	.47	.67	150.1	9.38	.22	.45	.67	129.2	10.34	.17	.42	.68

## 15 TON HIGH EFFICIENCY LGH180H4 WITH DEHUMIDIFICATION OPERATING (1ST STAGE)

Entering Wet Bulb Temperature	Total Air Volume	Outdoor Air Temperature Entering Outdoor Coil																			
		65°F					75°F					85°F					95°F				
		Total Cool Cap.	Comp. Motor Input	Sensible To Total Ratio (S/T)			Total Cool Cap.	Comp. Motor Input	Sensible To Total Ratio (S/T)			Total Cool Cap.	Comp. Motor Input	Sensible To Total Ratio (S/T)			Total Cool Cap.	Comp. Motor Input	Sensible To Total Ratio (S/T)		
				Dry Bulb					Dry Bulb					Dry Bulb					Dry Bulb		
cfm	kBtuh	kW	75°F	80°F	85°F	kBtuh	kW	75°F	80°F	85°F	kBtuh	kW	75°F	80°F	85°F	kBtuh	kW	75°F	80°F	85°F	
63°F	4800	91.6	5.36	.56	.74	.91	78.7	6.02	.51	.73	.94	65.8	6.67	.46	.71	.96	52.8	7.33	.41	.70	.98
	6000	97.3	5.40	.60	.80	1.00	82.5	6.03	.56	.81	1.00	67.7	6.65	.53	.82	1.00	52.9	7.28	.49	.83	1.00
	7200	103.0	5.44	.63	.87	1.00	86.4	6.04	.61	.90	1.00	69.7	6.64	.59	.94	1.00	53.0	7.23	.57	.97	1.00
67°F	4800	103.7	5.47	.41	.57	.72	90.4	6.13	.34	.53	.72	77.0	6.78	.28	.49	.71	63.6	7.44	.21	.46	.71
	6000	108.5	5.51	.43	.61	.79	94.0	6.14	.37	.59	.81	79.5	6.76	.31	.56	.82	65.0	7.39	.25	.54	.84
	7200	113.3	5.54	.44	.65	.86	97.6	6.14	.39	.64	.90	82.0	6.75	.33	.63	.93	66.3	7.35	.28	.63	.97
71°F	4800	115.9	5.58	.25	.39	.53	102.1	6.24	.17	.33	.50	88.2	6.90	.09	.28	.46	74.4	7.55	.01	.22	.43
	6000	119.7	5.61	.25	.41	.57	105.5	6.24	.17	.36	.55	91.2	6.87	.08	.30	.52	77.0	7.51	.00	.25	.50
	7200	123.5	5.64	.25	.43	.61	108.9	6.25	.17	.38	.60	94.2	6.85	.08	.33	.58	79.6	7.46	-.01	.28	.57

## 15 TON HIGH EFFICIENCY LGH180H4 WITH DEHUMIDIFICATION OPERATING (2ND STAGE)

Entering Wet Bulb Temperature	Total Air Volume	Outdoor Air Temperature Entering Outdoor Coil																			
		65°F					75°F					85°F					95°F				
		Total Cool Cap.	Comp. Motor Input	Sensible To Total Ratio (S/T)			Total Cool Cap.	Comp. Motor Input	Sensible To Total Ratio (S/T)			Total Cool Cap.	Comp. Motor Input	Sensible To Total Ratio (S/T)			Total Cool Cap.	Comp. Motor Input	Sensible To Total Ratio (S/T)		
				Dry Bulb					Dry Bulb					Dry Bulb					Dry Bulb		
cfm	kBtuh	kW	75°F	80°F	85°F	kBtuh	kW	75°F	80°F	85°F	kBtuh	kW	75°F	80°F	85°F	kBtuh	kW	75°F	80°F	85°F	
63°F	4800	154.5	8.08	.64	.80	.96	138.5	9.09	.63	.81	.99	122.4	10.11	.62	.82	1.00	106.3	11.13	.61	.83	1.00
	6000	163.3	8.13	.69	.87	1.00	144.9	9.13	.69	.89	1.00	126.4	10.12	.69	.90	1.00	108.0	11.12	.69	.92	1.00
	7200	172.0	8.18	.73	.94	1.00	151.3	9.16	.74	.96	1.00	130.5	10.14	.75	.98	1.00	109.7	11.12	.76	1.00	1.00
67°F	4800	171.4	8.23	.48	.62	.77	155.1	9.24	.45	.62	.79	138.8	10.25	.42	.61	.80	122.6	11.26	.39	.60	.81
	6000	180.3	8.27	.50	.65	.80	161.9	9.27	.48	.65	.83	143.5	10.27	.46	.66	.86	125.1	11.26	.44	.67	.90
	7200	189.2	8.31	.53	.67	.82	168.7	9.30	.51	.69	.87	148.2	10.28	.49	.71	.93	127.7	11.26	.48	.73	.98
71°F	4800	188.2	8.38	.31	.45	.59	171.7	9.39	.27	.42	.58	155.3	10.39	.23	.40	.57	138.9	11.40	.18	.37	.56
	6000	197.3	8.41	.31	.43	.54	179.0	9.41	.27	.42	.57	160.6	10.41	.23	.42	.61	142.3	11.40	.19	.41	.64
	7200	206.4	8.45	.32	.40	.49	186.2	9.43	.27	.42	.57	165.9	10.42	.23	.44	.65	145.7	11.41	.19	.46	.72

# DEHUMIDIFICATION SYSTEM RATINGS

## 17.5 TON HIGH EFFICIENCY LGH210H4 WITH DEHUMIDIFICATION OPERATING (1ST STAGE)

Entering Wet Bulb Temperature	Total Air Volume	Outdoor Air Temperature Entering Outdoor Coil																			
		65°F					75°F					85°F					95°F				
		Total Cool Cap.	Comp. Motor Input	Sensible To Total Ratio (S/T)			Total Cool Cap.	Comp. Motor Input	Sensible To Total Ratio (S/T)			Total Cool Cap.	Comp. Motor Input	Sensible To Total Ratio (S/T)			Total Cool Cap.	Comp. Motor Input	Sensible To Total Ratio (S/T)		
				Dry Bulb					Dry Bulb					Dry Bulb					Dry Bulb		
cfm	kBtuh	kW	75°F	80°F	85°F	kBtuh	kW	75°F	80°F	85°F	kBtuh	kW	75°F	80°F	85°F	kBtuh	kW	75°F	80°F	85°F	
63°F	5600	105.3	5.76	.58	.77	.96	91.1	6.45	.53	.75	.98	76.8	7.14	.48	.74	1.00	62.6	7.84	.43	.72	1.00
	7000	109.7	5.79	.63	.85	1.00	92.9	6.47	.60	.85	1.00	76.1	7.14	.57	.86	1.00	59.3	7.82	.54	.86	1.00
	8400	114.0	5.82	.68	.93	1.00	94.7	6.48	.67	.95	1.00	75.3	7.14	.65	.98	1.00	56.0	7.81	.64	1.00	1.00
67°F	5600	120.6	5.91	.42	.59	.77	105.7	6.59	.35	.55	.76	90.7	7.27	.29	.52	.74	75.8	7.95	.23	.48	.73
	7000	126.6	5.95	.45	.64	.83	108.8	6.62	.39	.62	.84	91.0	7.28	.33	.59	.86	73.1	7.95	.27	.57	.87
	8400	132.7	5.99	.47	.69	.90	111.9	6.64	.42	.68	.93	91.2	7.29	.37	.67	.97	70.5	7.94	.32	.66	1.00
71°F	5600	135.8	6.07	.26	.42	.58	120.2	6.74	.18	.36	.53	104.7	7.40	.10	.30	.49	89.1	8.06	.02	.23	.45
	7000	143.6	6.11	.26	.43	.60	124.7	6.77	.18	.38	.58	105.9	7.42	.10	.33	.56	87.0	8.07	.01	.28	.55
	8400	151.3	6.16	.27	.44	.62	129.2	6.80	.18	.40	.63	107.1	7.44	.09	.36	.64	84.9	8.08	.00	.32	.65

## 17.5 TON HIGH EFFICIENCY LGH210H4 WITH DEHUMIDIFICATION OPERATING (2ND STAGE)

Entering Wet Bulb Temperature	Total Air Volume	Outdoor Air Temperature Entering Outdoor Coil																			
		65°F					75°F					85°F					95°F				
		Total Cool Cap.	Comp. Motor Input	Sensible To Total Ratio (S/T)			Total Cool Cap.	Comp. Motor Input	Sensible To Total Ratio (S/T)			Total Cool Cap.	Comp. Motor Input	Sensible To Total Ratio (S/T)			Total Cool Cap.	Comp. Motor Input	Sensible To Total Ratio (S/T)		
				Dry Bulb					Dry Bulb					Dry Bulb					Dry Bulb		
cfm	kBtuh	kW	75°F	80°F	85°F	kBtuh	kW	75°F	80°F	85°F	kBtuh	kW	75°F	80°F	85°F	kBtuh	kW	75°F	80°F	85°F	
63°F	5600	179.3	9.23	.65	.81	.98	162.1	10.35	.63	.82	1.00	144.9	11.47	.62	.83	1.00	127.6	12.60	.60	.83	1.00
	7000	189.8	9.32	.69	.87	1.00	170.6	10.43	.68	.88	1.00	151.4	11.54	.67	.89	1.00	132.2	12.64	.66	.90	1.00
	8400	200.2	9.42	.74	.94	1.00	179.0	10.51	.73	.95	1.00	157.9	11.60	.73	.96	1.00	136.7	12.69	.72	.98	1.00
67°F	5600	199.6	9.47	.48	.63	.79	181.4	10.58	.45	.62	.80	163.2	11.68	.43	.62	.81	144.9	12.78	.40	.61	.81
	7000	210.4	9.58	.51	.68	.85	190.2	10.67	.48	.67	.87	170.0	11.75	.46	.67	.88	149.8	12.84	.44	.66	.89
	8400	221.3	9.68	.54	.73	.92	199.1	10.76	.51	.72	.94	176.9	11.83	.49	.72	.95	154.6	12.91	.47	.72	.97
71°F	5600	219.9	9.72	.31	.45	.60	200.7	10.80	.28	.43	.59	181.5	11.88	.24	.41	.58	162.2	12.96	.20	.39	.57
	7000	231.1	9.83	.32	.48	.65	209.9	10.90	.28	.46	.64	188.6	11.97	.25	.44	.64	167.4	13.04	.21	.42	.64
	8400	242.4	9.93	.33	.52	.70	219.1	11.00	.29	.50	.70	195.8	12.06	.25	.48	.71	172.6	13.13	.21	.46	.71

## 20 TON HIGH EFFICIENCY LGH240H4 WITH DEHUMIDIFICATION OPERATING (1ST STAGE)

Entering Wet Bulb Temperature	Total Air Volume	Outdoor Air Temperature Entering Outdoor Coil																			
		65°F					75°F					85°F					95°F				
		Total Cool Cap.	Comp. Motor Input	Sensible To Total Ratio (S/T)			Total Cool Cap.	Comp. Motor Input	Sensible To Total Ratio (S/T)			Total Cool Cap.	Comp. Motor Input	Sensible To Total Ratio (S/T)			Total Cool Cap.	Comp. Motor Input	Sensible To Total Ratio (S/T)		
				Dry Bulb					Dry Bulb					Dry Bulb					Dry Bulb		
cfm	kBtuh	kW	75°F	80°F	85°F	kBtuh	kW	75°F	80°F	85°F	kBtuh	kW	75°F	80°F	85°F	kBtuh	kW	75°F	80°F	85°F	
63°F	6400	91.1	5.34	.52	.70	.88	75.6	5.99	.43	.68	.93	60.0	6.63	.34	.66	.97	44.4	7.28	.25	.64	1.00
	8000	98.6	5.37	.54	.76	.97	80.6	5.99	.47	.76	1.00	62.7	6.61	.39	.77	1.00	44.7	7.23	.31	.78	1.00
	9600	106.1	5.40	.57	.82	1.00	85.7	5.99	.50	.85	1.00	65.3	6.59	.43	.88	1.00	45.0	7.19	.36	.92	1.00
67°F	6400	106.4	5.48	.37	.52	.68	89.5	6.12	.27	.48	.69	72.6	6.76	.17	.43	.69	55.7	7.40	.07	.38	.69
	8000	112.6	5.50	.38	.57	.75	94.4	6.12	.28	.53	.78	76.2	6.74	.18	.49	.80	58.0	7.36	.09	.46	.83
	9600	118.9	5.52	.39	.61	.82	99.3	6.12	.30	.58	.87	79.7	6.72	.20	.56	.92	60.2	7.32	.11	.54	.96
71°F	6400	121.7	5.62	.22	.35	.49	103.5	6.25	.10	.28	.45	85.3	6.88	-.01	.20	.40	67.1	7.52	-.12	.12	.36
	8000	126.7	5.63	.22	.38	.54	108.2	6.25	.10	.30	.49	89.7	6.87	-.02	.22	.45	71.2	7.49	-.13	.14	.41
	9600	131.6	5.64	.21	.40	.58	112.9	6.25	.09	.32	.54	94.1	6.85	-.02	.24	.49	75.4	7.46	-.14	.15	.45

## 20 TON HIGH EFFICIENCY LGH240H4 WITH DEHUMIDIFICATION OPERATING (2ND STAGE)

Entering Wet Bulb Temperature	Total Air Volume	Outdoor Air Temperature Entering Outdoor Coil																			
		65°F					75°F					85°F					95°F				
		Total Cool Cap.	Comp. Motor Input	Sensible To Total Ratio (S/T)			Total Cool Cap.	Comp. Motor Input	Sensible To Total Ratio (S/T)			Total Cool Cap.	Comp. Motor Input	Sensible To Total Ratio (S/T)			Total Cool Cap.	Comp. Motor Input	Sensible To Total Ratio (S/T)		
				Dry Bulb					Dry Bulb					Dry Bulb					Dry Bulb		
cfm	kBtuh	kW	75°F	80°F	85°F	kBtuh	kW	75°F	80°F	85°F	kBtuh	kW	75°F	80°F	85°F	kBtuh	kW	75°F	80°F	85°F	
63°F	6400	215.7	10.70	.64	.79	.93	193.6	12.10	.63	.81	.99	171.4	13.50	.62	.84	1.00	149.3	14.90	.61	.86	1.00
	8000	226.5	10.73	.69	.86	1.00	201.6	12.10	.69	.88	1.00	176.6	13.48	.70	.91	1.00	151.7	14.86	.70	.93	1.00
	9600	237.4	10.76	.73	.94	1.00	209.6	12.11	.75	.96	1.00	181.8	13.46	.77	.98	1.00	154.0	14.81	.80	1.00	1.00
67°F	6400	240.5	10.89	.48	.62	.76	217.4	12.29	.46	.62	.79	194.3	13.69	.44	.63	.82	171.2	15.10	.42	.63	.85
	8000	249.1	10.91	.51	.67	.84	224.6	12.30	.49	.68	.86	200.1	13.69	.48	.68	.88	175.7	15.08	.46	.68	.91
	9600	257.6	10.94	.53	.73	.92	231.8	12.31	.53	.73	.93	206.0	13.68	.52	.73	.95	180.1	15.05	.51	.74	.96
71°F	6400	265.4	11.07	.32	.45	.58	241.3	12.48	.29	.44	.59	217.2	13.88	.25	.42	.59	193.1	15.29	.22	.40	.59
	8000	271.6	11.10	.33	.49	.64	247.6	12.50	.29	.47	.65	223.6	13.89	.26	.45	.65	199.6	15.29	.22	.44	.66
	9600	277.8	11.12	.34	.52	.70	254.0	12.51	.30	.50	.70	230.1	13.90	.26	.49	.71	206.2	15.29	.22	.47	.72

# DEHUMIDIFICATION SYSTEM RATINGS

## 25 TON STANDARD EFFICIENCY LGH300S4 WITH DEHUMIDIFICATION OPERATING (1ST STAGE)

Entering Wet Bulb Temperature	Total Air Volume	Outdoor Air Temperature Entering Outdoor Coil																			
		65°F					75°F					85°F					95°F				
		Total Cool Cap.	Comp. Motor Input	Sensible To Total Ratio (S/T)			Total Cool Cap.	Comp. Motor Input	Sensible To Total Ratio (S/T)			Total Cool Cap.	Comp. Motor Input	Sensible To Total Ratio (S/T)			Total Cool Cap.	Comp. Motor Input	Sensible To Total Ratio (S/T)		
				Dry Bulb					Dry Bulb					Dry Bulb					Dry Bulb		
		cfm	kBtuh	kW	75°F	80°F	85°F	kBtuh	kW	75°F	80°F	85°F	kBtuh	kW	75°F	80°F	85°F	kBtuh	kW	75°F	80°F
63°F	8000	100.4	7.25	.55	.74	.93	83.6	7.96	.47	.71	.96	66.7	8.67	.38	.69	.99	49.8	9.38	.29	.66	1.00
	9500	106.3	7.33	.58	.77	.97	89.3	8.02	.50	.76	.99	72.3	8.71	.42	.74	1.00	55.2	9.40	.34	.72	1.00
	11,000	112.2	7.40	.61	.81	.99	95.0	8.08	.53	.80	1.00	77.8	8.75	.46	.80	1.00	60.6	9.43	.38	.79	1.00
67°F	8000	116.1	7.40	.37	.54	.71	98.8	8.14	.27	.48	.70	81.5	8.87	.17	.43	.69	64.2	9.61	.07	.37	.68
	9500	122.7	7.460	0.38	0.56	0.74	104.2	8.190	0.28	0.51	0.74	85.8	8.910	0.18	0.46	0.74	67.3	9.635	0.08	0.41	0.75
	11,000	129.2	7.52	.40	.58	.77	109.6	8.24	.30	.54	.78	90.1	8.95	.20	.50	.80	70.5	9.66	.09	.46	.82
71°F	8000	131.7	7.55	.19	.34	.49	114.0	8.31	.07	.25	.44	96.3	9.07	-.04	.17	.38	78.6	9.83	-.16	.09	.33
	9500	139.0	7.60	.19	.35	.51	119.1	8.36	.07	.27	.46	99.3	9.11	-.06	.19	.43	79.5	9.86	-.18	.11	.38
	11,000	146.2	7.65	.19	.36	.52	124.2	8.40	.07	.28	.49	102.3	9.14	-.07	.20	.47	80.4	9.89	-.20	.12	.44

## 25 TON STANDARD EFFICIENCY LGH300S4 WITH DEHUMIDIFICATION OPERATING (2ND STAGE)

Entering Wet Bulb Temperature	Total Air Volume	Outdoor Air Temperature Entering Outdoor Coil																			
		65°F					75°F					85°F					95°F				
		Total Cool Cap.	Comp. Motor Input	Sensible To Total Ratio (S/T)			Total Cool Cap.	Comp. Motor Input	Sensible To Total Ratio (S/T)			Total Cool Cap.	Comp. Motor Input	Sensible To Total Ratio (S/T)			Total Cool Cap.	Comp. Motor Input	Sensible To Total Ratio (S/T)		
				Dry Bulb					Dry Bulb					Dry Bulb					Dry Bulb		
		cfm	kBtuh	kW	75°F	80°F	85°F	kBtuh	kW	75°F	80°F	85°F	kBtuh	kW	75°F	80°F	85°F	kBtuh	kW	75°F	80°F
63°F	8000	260.3	14.9	.66	.80	.95	234.7	16.7	.65	.81	.97	209.1	18.5	.65	.82	.98	183.5	20.3	.65	.82	1.00
	9500	276.4	15.0	.69	.83	.96	248.2	16.8	.70	.84	.97	220.1	18.6	.70	.85	.99	191.9	20.4	.71	.85	1.00
	11,000	279.6	15.1	.73	.87	1.00	253.1	16.9	.75	.87	1.00	226.7	18.7	.76	.88	1.00	200.3	20.5	.78	.89	1.00
67°F	8000	283.9	15.2	.50	.64	.78	257.7	17.0	.48	.63	.79	231.5	18.8	.46	.63	.80	205.3	20.7	.44	.62	.81
	9500	294.1	15.3	.52	.67	.81	266.7	17.1	.51	.66	.82	239.3	18.9	.49	.66	.82	211.9	20.8	.48	.66	.83
	11,000	302.0	15.4	.54	.69	.84	274.2	17.2	.53	.69	.85	246.3	19.1	.53	.69	.86	218.4	20.9	.52	.69	.87
71°F	8000	307.5	15.5	.34	.47	.61	280.7	17.3	.31	.46	.61	253.9	19.2	.27	.44	.61	227.2	21.1	.24	.43	.61
	9500	311.7	15.5	.35	.51	.66	285.1	17.4	.32	.49	.66	258.5	19.3	.28	.47	.66	231.9	21.2	.25	.46	.66
	11,000	324.5	15.6	.35	.51	.67	295.2	17.5	.32	.51	.69	265.9	19.4	.29	.50	.71	236.6	21.3	.26	.50	.73



## BLOWER DATA

BLOWER TABLE INCLUDES RESISTANCE FOR BASE UNIT ONLY WITH DRY INDOOR COIL & AIR FILTERS IN PLACE FOR ALL UNITS ADD:

- 1 - Wet indoor coil air resistance of selected unit.
- 2 - Any factory installed options air resistance (heat section, economizer, etc.)
- 3 - Any field installed accessories air resistance (heat section, duct resistance, diffuser, etc.)

Then determine from blower table blower motor output and drive required.

See page 48 for wet coil and option/accessory air resistance data.

See page 47 for factory installed drive kit specifications.

### MINIMUM AIR VOLUME REQUIRED FOR DIFFERENT GAS HEAT SIZES

Low (L), Standard (S) and Medium Heat (M) - 4500 cfm minimum

High Heat (H) - 5125 cfm minimum

Air Volume cfm	TOTAL STATIC PRESSURE - Inches Water Gauge (Pa)																											
	0.20		0.40		0.60		0.80		1.00		1.20		1.40		1.60		1.80		2.00		2.20		2.40		2.60			
	RPM	BHP	RPM	BHP	RPM	BHP	RPM	BHP	RPM	BHP	RPM	BHP	RPM	BHP	RPM	BHP	RPM	BHP	RPM	BHP	RPM	BHP	RPM	BHP	RPM	BHP		
2750	385	0.30	505	0.50	600	0.70	680	0.90	755	1.10	820	1.30	885	1.50	950	1.70	1005	1.90	1060	2.10	1115	2.30	1170	2.50	1225	2.70	1280	2.90
3000	395	0.35	515	0.55	610	0.75	685	1.00	760	1.20	825	1.45	885	1.70	950	1.95	1005	2.20	1060	2.45	1115	2.70	1170	2.95	1225	3.20	1280	3.45
3250	405	0.40	520	0.60	615	0.85	695	1.10	765	1.30	830	1.60	890	1.85	955	2.10	1010	2.35	1065	2.60	1120	2.85	1175	3.10	1230	3.35	1285	3.60
3500	415	0.45	530	0.70	620	0.95	700	1.20	775	1.45	840	1.75	900	2.00	965	2.25	1020	2.50	1075	2.75	1130	3.00	1185	3.25	1240	3.50	1295	3.75
3750	425	0.50	540	0.75	630	1.05	710	1.30	780	1.60	845	1.90	905	2.15	970	2.40	1025	2.65	1080	2.90	1135	3.15	1190	3.40	1245	3.65	1300	3.90
4000	435	0.55	545	0.85	635	1.10	715	1.40	785	1.70	850	2.00	910	2.25	975	2.50	1030	2.75	1085	3.00	1140	3.25	1195	3.50	1250	3.75	1305	4.00
4250	445	0.60	555	0.90	645	1.25	725	1.55	795	1.85	855	2.15	915	2.40	980	2.65	1035	2.90	1090	3.15	1145	3.40	1200	3.65	1255	3.90	1310	4.15
4500	455	0.70	565	1.00	655	1.35	730	1.65	800	2.00	865	2.35	925	2.60	990	2.85	1045	3.10	1100	3.35	1155	3.60	1210	3.85	1265	4.10	1320	4.35
4750	470	0.75	575	1.10	660	1.45	740	1.80	810	2.15	870	2.50	930	2.80	995	3.05	1050	3.30	1105	3.55	1160	3.80	1215	4.05	1270	4.30	1325	4.55
5000	480	0.85	585	1.25	670	1.60	750	1.95	815	2.30	880	2.70	940	3.00	1000	3.25	1055	3.50	1110	3.75	1165	4.00	1220	4.25	1275	4.50	1330	4.75
5250	495	0.95	595	1.35	680	1.70	755	2.10	825	2.50	890	2.90	945	3.20	1005	3.45	1060	3.70	1115	3.95	1170	4.20	1225	4.45	1280	4.70	1335	4.95
5500	505	1.05	605	1.45	690	1.85	765	2.25	835	2.65	895	3.05	955	3.35	1015	3.60	1070	3.85	1125	4.10	1180	4.35	1235	4.60	1290	4.85	1340	5.10
5750	520	1.15	615	1.60	700	2.00	775	2.45	840	2.85	905	3.25	960	3.55	1020	3.80	1075	4.05	1130	4.30	1185	4.55	1240	4.80	1295	5.05	1345	5.30
6000	530	1.30	630	1.75	710	2.15	785	2.60	850	3.05	910	3.45	970	3.75	1030	4.05	1085	4.30	1140	4.55	1195	4.80	1250	5.05	1305	5.30	1350	5.55
6250	545	1.40	640	1.90	720	2.35	795	2.80	860	3.25	920	3.70	975	4.00	1035	4.30	1090	4.55	1145	4.80	1200	5.05	1255	5.30	1310	5.55	1355	5.80
6500	560	1.55	650	2.05	730	2.50	805	3.00	870	3.45	930	3.95	985	4.20	1045	4.50	1100	4.75	1155	5.00	1210	5.25	1265	5.50	1320	5.75	1360	6.00
6750	570	1.70	665	2.20	745	2.70	815	3.20	880	3.70	940	4.20	995	4.45	1055	4.70	1110	4.95	1165	5.20	1220	5.45	1275	5.70	1330	5.95	1370	6.20
7000	585	1.85	675	2.35	755	2.90	825	3.40	890	3.95	950	4.45	1005	4.70	1065	5.00	1120	5.25	1175	5.50	1230	5.75	1285	6.00	1340	6.25	1380	6.50
7250	600	2.00	690	2.60	765	3.10	835	3.65	900	4.15	955	4.65	1010	4.90	1070	5.15	1125	5.40	1180	5.65	1235	5.90	1290	6.15	1345	6.40	1385	6.65
7500	615	2.20	700	2.75	775	3.30	845	3.85	910	4.45	965	4.95	1020	5.20	1080	5.45	1135	5.70	1190	5.95	1245	6.20	1300	6.45	1350	6.70	1390	6.95
7750	630	2.40	715	3.00	790	3.55	855	4.10	920	4.70	975	5.25	1030	5.50	1090	5.75	1145	6.00	1200	6.25	1255	6.50	1310	6.75	1360	7.00	1400	7.25
8000	640	2.55	725	3.20	800	3.80	865	4.35	930	4.95	985	5.50	1040	5.75	1100	6.00	1155	6.25	1210	6.50	1265	6.75	1320	7.00	1370	7.25	1410	7.50
8250	655	2.80	740	3.40	810	4.00	880	4.65	940	5.25	995	5.85	1050	6.05	1110	6.30	1165	6.55	1220	6.80	1275	7.05	1330	7.30	1380	7.55	1420	7.80
8500	670	3.00	750	3.65	825	4.30	890	4.90	950	5.55	1005	6.15	1060	6.40	1120	6.65	1175	6.90	1230	7.15	1285	7.40	1340	7.65	1390	7.90	1430	8.15
8750	685	3.25	765	3.90	835	4.55	900	5.20	960	5.85	1015	6.45	1070	6.70	1130	6.95	1185	7.20	1240	7.45	1295	7.70	1350	7.95	1400	8.20	1440	8.45
9000	700	3.50	780	4.20	850	4.85	910	5.50	970	6.15	1025	6.80	1080	7.05	1140	7.30	1195	7.55	1250	7.80	1305	8.05	1360	8.30	1410	8.55	1450	8.80
9250	715	3.75	790	4.45	860	5.15	925	5.85	985	6.55	1040	7.20	1095	7.50	1150	7.75	1205	8.00	1260	8.25	1315	8.50	1370	8.75	1420	9.00	1460	9.25
9500	730	4.00	805	4.75	875	5.45	935	6.15	995	6.90	1050	7.60	1105	7.85	1160	8.10	1215	8.35	1270	8.60	1325	8.85	1380	9.10	1430	9.35	1470	9.60
9750	745	4.30	820	5.05	885	5.75	950	6.55	1005	7.20	1060	7.95	1115	8.15	1170	8.40	1225	8.65	1280	8.90	1335	9.15	1390	9.40	1440	9.65	1480	9.90
10,000	760	4.60	835	5.40	900	6.15	960	6.85	1015	7.60	1070	8.35	1120	8.60	1175	8.85	1230	9.10	1285	9.35	1340	9.60	1395	9.85	1445	10.10	1485	10.35
10,250	775	4.90	845	5.65	910	6.45	970	7.20	1030	8.00	1080	8.75	1135	9.05	1190	9.30	1245	9.55	1300	9.80	1355	10.05	1410	10.30	1460	10.55	1500	10.80
10,500	790	5.20	860	6.00	925	6.85	985	7.65	1040	8.40	1095	9.20	1145	9.55	1200	9.80	1255	10.05	1310	10.30	1365	10.55	1420	10.80	1470	11.05	1510	11.30
10,750	805	5.55	875	6.40	940	7.25	1000	8.05	1055	8.85	1105	9.65	1155	10.00	1210	10.30	1265	10.55	1320	10.80	1375	11.05	1430	11.30	1480	11.55	1520	11.80
11,000	820	5.90	890	6.80	950	7.60	1010	8.45	1065	9.30	1115	10.05	1165	10.40	1220	10.70	1275	10.95	1330	11.20	1385	11.50	1440	11.80	1490	12.05	1530	12.30



## BLOWER DATA

### FACTORY INSTALLED BELT DRIVE KIT SPECIFICATIONS

Motor Efficiency	Nominal hp	Maximum hp	Drive Kit Number	RPM Range
Standard or High	2	2.30	1	535 - 725
Standard or High	2	2.30	2	710 - 965
Standard	3	3.45	1	535 - 725
Standard	3	3.45	2	710 - 965
High	3	3.45	3	685 - 856
High	3	3.45	4	850 - 1045
Standard	5	5.75	3	685 - 856
Standard	5	5.75	4	850 - 1045
Standard	5	5.75	5	945 - 1185
Standard	7.5	8.63	6	850 - 1045
Standard	7.5	8.63	7	945 - 1185
Standard	7.5	8.63	8	1045 - 1285
Standard	10	11.50	7	945 - 1185
Standard	10	11.50	10	1045 - 1285
Standard	10	11.50	11	1135 - 1365

NOTE - Using total air volume and system static pressure requirements determine from blower performance tables rpm and motor output required. Maximum usable output of motors furnished are shown. In Canada, nominal motor output is also maximum usable motor output. If motors of comparable output are used, be sure to keep within the service factor limitations outlined on the motor nameplate.

NOTE - Units equipped with Single Zone VAV option are limited to a motor service factor of 1.0.

### FACTORY INSTALLED OPTIONS/FIELD INSTALLED ACCESSORY AIR RESISTANCE

Air Volume cfm	Wet Indoor Coil		Condenser Reheat Coil	Gas Heat Exchanger			Economizer	Filters		Horizontal Roof Curb	
	156H, 180H	210H, 240H, 300S		Low/Standard Heat	Medium Heat	High Heat		MERV 8	MERV 13	156H thru 240H	300S
	in. w.g.	in. w.g.	in. w.g.	in. w.g.	in. w.g.	in. w.g.	in. w.g.			in. w.g.	
2750	.01	.02	.01	.02	.04	.05	---	.01	.03	.03	-
3000	.01	.02	.01	.03	.04	.05	---	.01	.03	.04	-
3250	.01	.03	.01	.03	.05	.06	---	.01	.04	.04	.01
3500	.01	.03	.02	.03	.05	.06	---	.01	.04	.05	.01
3750	.01	.03	.02	.04	.06	.07	---	.01	.04	.05	.01
4000	.02	.04	.02	.04	.06	.07	---	.01	.04	.06	.02
4250	.02	.04	.02	.04	.06	.08	---	.01	.05	.07	.02
4500	.02	.05	.02	.05	.07	.09	---	.01	.05	.07	.02
4750	.02	.05	.02	.05	.08	.10	---	.02	.05	.08	.03
5000	.02	.05	.02	.05	.09	.11	---	.02	.06	.08	.03
5250	.02	.06	.03	.06	.10	.12	---	.02	.06	.09	.04
5500	.02	.07	.03	.06	.10	.13	---	.02	.06	.10	.04
5750	.03	.07	.03	.06	.11	.14	---	.02	.07	.11	.05
6000	.03	.08	.03	.07	.12	.15	---	.03	.07	.11	.06
6250	.03	.08	.03	.07	.12	.16	.01	.03	.07	.12	.07
6500	.03	.09	.04	.08	.13	.17	.02	.03	.08	.13	.08
6750	.04	.10	.04	.08	.14	.18	.03	.03	.08	.14	.08
7000	.04	.10	.04	.09	.15	.19	.04	.04	.08	.15	.09
7250	.04	.11	.04	.09	.16	.20	.05	.04	.09	.16	.10
7500	.05	.12	.05	.10	.17	.21	.06	.04	.09	.17	.11
8000	.05	.13	.05	.11	.19	.24	.09	.05	.10	.19	.13
8500	.06	.15	.05	.12	.20	.26	.11	.05	.10	.21	.15
9000	.07	.16	.06	.13	.23	.29	.14	.06	.11	.24	.17
9500	.08	.18	.07	.14	.25	.32	.16	.07	.12	.26	.19
10,000	.08	.20	.07	.16	.27	.35	.19	.07	.12	.29	.21
10,500	.09	.22	.08	.17	.30	.38	.22	.08	.13	.31	.24
11,000	.11	.24	.08	.18	.31	.40	.25	.09	.14	.34	.27

## BLOWER DATA

### POWER EXHAUST FAN PERFORMANCE

Return Air System Static Pressure	Air Volume Exhausted
in. w.g.	cfm
0.00	8630
0.05	8210
0.10	7725
0.15	7110
0.20	6470
0.25	5790
0.30	5060
0.35	4300
0.40	3510
0.45	2690
0.50	1840

### CEILING DIFFUSER AIR RESISTANCE - in. w.g.

Air Volume cfm	Step-Down Diffuser						Flush Diffuser	
	RTD11-185S			RTD11-275S			FD11-185S	FD11-275S
	2 Ends Open	1 Side/2 Ends Open	All Ends & Sides Open	2 Ends Open	1 Side/2 Ends Open	All Ends & Sides Open		
5000	.51	.44	.39	---	---	---	.27	---
5200	.56	.48	.42	---	---	---	.30	---
5400	.61	.52	.45	---	---	---	.33	---
5600	.66	.56	.48	---	---	---	.36	---
5800	.71	.59	.51	---	---	---	.39	---
6000	.76	.63	.55	.36	.31	.27	.42	.29
6200	.80	.68	.59	---	---	---	.46	---
6400	.86	.72	.63	---	---	---	.50	---
6500	---	---	---	.42	.36	.31	---	.34
6600	.92	.77	.67	---	---	---	.54	---
6800	.99	.83	.72	---	---	---	.58	---
7000	1.03	.87	.76	.49	.41	.36	.62	.40
7200	1.09	.92	.80	---	---	---	.66	---
7400	1.15	.97	.84	---	---	---	.70	---
7500	---	---	---	.51	.46	.41	---	.45
7600	1.20	1.02	.88	---	---	---	.74	---
8000	---	---	---	.59	.49	.43	---	.50
8500	---	---	---	.69	.58	.50	---	.57
9000	---	---	---	.79	.67	.58	---	.66
9500	---	---	---	.89	.75	.65	---	.74
10,000	---	---	---	1.00	.84	.73	---	.81
10,500	---	---	---	1.10	.92	.80	---	.89
11,000	---	---	---	1.21	1.01	.88	---	.96

### CEILING DIFFUSER AIR THROW DATA - ft.

Model No.	Air Volume cfm	<sup>1</sup> Effective Throw Range - ft.		Model No.	Air Volume cfm	<sup>1</sup> Effective Throw Range - ft.	
		RTD11-185S Step-Down	FD11-185S Flush			RTD11-275S Step-Down	FD11-275S Flush
156 180	5600	39 - 49	28 - 37	210 240 300	7200	33 - 38	26 - 35
	5800	42 - 51	29 - 38		7400	35 - 40	28 - 37
	6000	44 - 54	40 - 50		7600	36 - 41	29 - 38
	6200	45 - 55	42 - 51		7800	38 - 43	40 - 50
	6400	46 - 55	43 - 52		8000	39 - 44	42 - 51
	6600	47 - 56	45 - 56		8200	41 - 46	43 - 52
					8400	43 - 49	44 - 54
					8600	44 - 50	46 - 57
					8800	47 - 55	48 - 59

<sup>1</sup> Throw is the horizontal or vertical distance an airstream travels on leaving the outlet or diffuser before the maximum velocity is reduced to 50 ft. per minute. Four sides open.

**ELECTRICAL DATA****13 TON****13 TON HIGH EFFICIENCY****LGH156H4**

<sup>1</sup> Voltage - 60hz		208/230V - 3 Ph			460V - 3 Ph			575V - 3 Ph		
Compressor 1	Rated Load Amps	14.5			6.3			6		
	Locked Rotor Amps	98			55			41		
Compressor 2	Rated Load Amps	14.5			6.3			6		
	Locked Rotor Amps	98			55			41		
Compressor 3	Rated Load Amps	14.5			6.3			6		
	Locked Rotor Amps	98			55			41		
Outdoor Fan Motors (3)	Full Load Amps	2.4			1.3			1		
	(total)	(7.2)			(3.9)			(3)		
Power Exhaust (2) 0.33 HP	Full Load Amps	2.4			1.3			1		
	(total)	(4.8)			(2.6)			(2)		
Service Outlet 115V GFI (amps)		15			15			20		
Indoor Blower Motor	Horsepower	2	3	5	2	3	5	2	3	5
	Full Load Amps	7.5	10.6	16.7	3.4	4.8	7.6	2.7	3.9	6.1
<sup>2</sup> Maximum Overcurrent Protection	Unit Only	70	70	80	30	35	35	30	30	30
	With (2) 0.33 HP Power Exhaust	80	80	90	35	35	40	30	30	35
<sup>3</sup> Minimum Circuit Ampacity	Unit Only	62	65	72	28	30	33	26	27	29
	With (2) 0.33 HP Power Exhaust	67	70	77	31	32	35	28	29	31

**ELECTRICAL DATA****15 TON****15 TON HIGH EFFICIENCY****LGH180H4**

<sup>1</sup> Voltage - 60hz		208/230V - 3 Ph			460V - 3 Ph			575V - 3 Ph		
Compressor 1	Rated Load Amps	13.2			6.3			4.9		
	Locked Rotor Amps	93			60			41		
Compressor 2	Rated Load Amps	13.2			6.3			4.9		
	Locked Rotor Amps	93			60			41		
Compressor 3	Rated Load Amps	13.2			6.3			4.9		
	Locked Rotor Amps	93			60			41		
Outdoor Fan Motors (4)	Full Load Amps	2.4			1.3			1		
	(total)	(9.6)			(5.2)			(4)		
Power Exhaust (2) 0.33 HP	Full Load Amps	2.4			1.3			1		
	(total)	(4.8)			(2.6)			(2)		
Service Outlet 115V GFI (amps)		15			15			20		
Indoor Blower Motor	Horsepower	3	5	7.5	3	5	7.5	3	5	7.5
	Full Load Amps	10.6	16.7	24.2	4.8	7.6	11	3.9	6.1	9
<sup>2</sup> Maximum Overcurrent Protection	Unit Only	70	80	100	35	40	45	25	30	35
	With (2) 0.33 HP Power Exhaust	80	90	100	35	40	50	30	30	40
<sup>3</sup> Minimum Circuit Ampacity	Unit Only	64	71	80	31	34	38	24	27	30
	With (2) 0.33 HP Power Exhaust	68	75	85	34	37	41	26	29	32

NOTE - All units have a minimum Short Circuit Current Rating (SCCR) of 5000 amps.

<sup>1</sup> Extremes of operating range are plus and minus 10% of line voltage.<sup>2</sup> HACR type breaker or fuse.<sup>3</sup> Refer to National or Canadian Electrical Code manual to determine wire, fuse and disconnect size requirements.<sup>4</sup> Factory installed circuit breaker not available.

**ELECTRICAL DATA****17.5 TON****17.5 TON HIGH EFFICIENCY****LGH210H4**

<sup>1</sup> Voltage - 60hz		208/230V - 3 Ph			460V - 3 Ph			575V - 3 Ph		
Compressor 1	Rated Load Amps	15.6			7.8			5.8		
	Locked Rotor Amps	110			52			38.9		
Compressor 2	Rated Load Amps	15.6			7.8			5.8		
	Locked Rotor Amps	110			52			38.9		
Compressor 3	Rated Load Amps	19.6			8.2			6.6		
	Locked Rotor Amps	136			66.1			55.3		
Outdoor Fan Motors (6)	Full Load Amps	2.4			1.3			1		
	(total)	(14.4)			(7.8)			(6)		
Power Exhaust (2) 0.33 HP	Full Load Amps	2.4			1.3			1		
	(total)	(4.8)			(2.6)			(2)		
Service Outlet 115V GFI (amps)		15			15			20		
Indoor Blower Motor	Horsepower	3	5	7.5	3	5	7.5	3	5	7.5
	Full Load Amps	10.6	16.7	24.2	4.8	7.6	11	3.9	6.1	9
<sup>2</sup> Maximum Overcurrent Protection	Unit Only	100	100	110	45	45	50	35	35	40
	With (2) 0.33 HP Power Exhaust	100	110	110	45	50	50	35	40	45
<sup>3</sup> Minimum Circuit Ampacity	Unit Only	81	87	96	39	42	46	30	32	36
	With (2) 0.33 HP Power Exhaust	86	92	101	42	44	48	32	34	38

**ELECTRICAL DATA****20 TON****20 TON HIGH EFFICIENCY****LGH240H4**

<sup>1</sup> Voltage - 60hz		208/230V - 3 Ph			460V - 3 Ph			575V - 3 Ph		
Compressor 1	Rated Load Amps	13.2			6.3			4.9		
	Locked Rotor Amps	93			60			41		
Compressor 2	Rated Load Amps	13.2			6.3			4.9		
	Locked Rotor Amps	93			60			41		
Compressor 3	Rated Load Amps	13.2			6.3			4.9		
	Locked Rotor Amps	93			60			41		
Compressor 4	Rated Load Amps	13.2			6.3			4.9		
	Locked Rotor Amps	93			60			41		
Outdoor Fan Motors (6)	Full Load Amps	2.4			1.3			1		
	(total)	(14.4)			(7.8)			(6)		
Power Exhaust (2) 0.33 HP	Full Load Amps	2.4			1.3			1		
	(total)	(4.8)			(2.6)			(2)		
Service Outlet 115V GFI (amps)		15			15			20		
Indoor Blower Motor	Horsepower	5	7.5	10	5	7.5	10	5	7.5	10
	Full Load Amps	16.7	24.2	30.8	7.6	11	14	6.1	9	11
<sup>2</sup> Maximum Overcurrent Protection	Unit Only	100	110	125	50	50	60	35	45	50
	With (2) 0.33 HP Power Exhaust	100	125	125	50	60	60	40	45	50
<sup>3</sup> Minimum Circuit Ampacity	Unit Only	89	98	106	43	47	51	34	37	40
	With (2) 0.33 HP Power Exhaust	93	103	111	46	50	54	36	39	42

NOTE - All units have a minimum Short Circuit Current Rating (SCCR) of 5000 amps.

<sup>1</sup> Extremes of operating range are plus and minus 10% of line voltage.<sup>2</sup> HACR type breaker or fuse.<sup>3</sup> Refer to National or Canadian Electrical Code manual to determine wire, fuse and disconnect size requirements.<sup>4</sup> Factory installed circuit breaker not available.

# ELECTRICAL DATA

**25 TON**

## 25 TON STANDARD EFFICIENCY

**LGH300S4**

<sup>1</sup> Voltage - 60hz		208/230V - 3 Ph			460V - 3 Ph			575V - 3 Ph		
Compressor 1	Rated Load Amps	19.6			8.2			6.6		
	Locked Rotor Amps	136			66.1			55.3		
Compressor 2	Rated Load Amps	19.6			8.2			6.6		
	Locked Rotor Amps	136			66.1			55.3		
Compressor 3	Rated Load Amps	22.4			10.6			7.7		
	Locked Rotor Amps	149			75			54		
Compressor 4	Rated Load Amps	22.4			10.6			7.7		
	Locked Rotor Amps	149			75			54		
Outdoor Fan Motors (6)	Full Load Amps (total)	2.4 (14.4)			1.3 (7.8)			1 (6)		
Power Exhaust (2) 0.33 HP	Full Load Amps (total)	2.4 (4.8)			1.3 (2.6)			1 (2)		
Service Outlet 115V GFI (amps)		15			15			20		
Indoor Blower Motor	Horsepower	5	7.5	10	5	7.5	10	5	7.5	10
	Full Load Amps	16.7	24.2	30.8	7.6	11	14	6.1	9	11
<sup>2</sup> Maximum Overcurrent Protection	Unit Only	125	150	150	60	70	70	50	50	50
	With (2) 0.33 HP Power Exhaust	150	150	150	60	70	70	50	50	60
<sup>3</sup> Minimum Circuit Ampacity	Unit Only	121	129	137	56	60	63	45	46	49
	With (2) 0.33 HP Power Exhaust	126	134	142	59	62	66	45	48	51

NOTE - All units have a minimum Short Circuit Current Rating (SCCR) of 5000 amps.

<sup>1</sup> Extremes of operating range are plus and minus 10% of line voltage.

<sup>2</sup> HACR type breaker or fuse.

<sup>3</sup> Refer to National or Canadian Electrical Code manual to determine wire, fuse and disconnect size requirements.

<sup>4</sup> Factory installed circuit breaker not available.

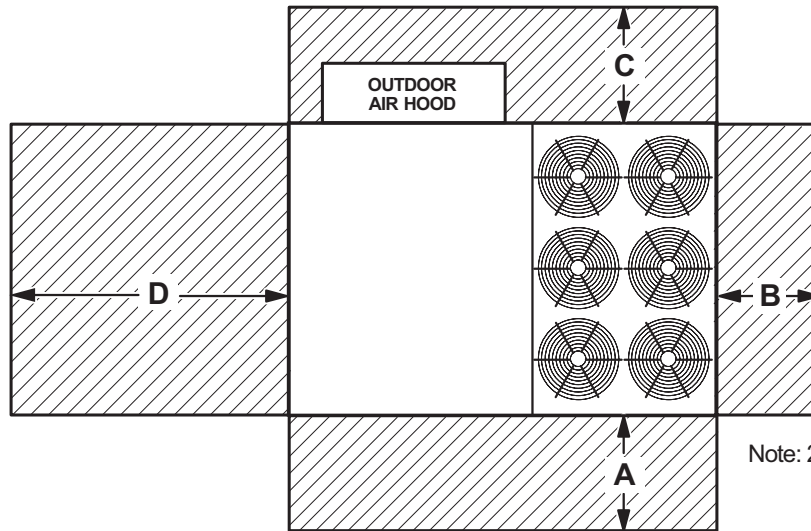
# ELECTRICAL ACCESSORIES

## DISCONNECTS

Voltage	208V	240V	208V	240V	208V	240V	460V	460V	460V	575V	575V	575V
Model No.	LGH156H4											
Blower Motor HP	2		3		5		2	3	5	2	3	5
Unit Only	54W88	54W88	54W88	54W88	54W88	54W88	54W88	54W88	54W88	54W88	54W88	54W88
Unit w/ Power Exhaust	54W88	54W88	54W88	54W88	54W88	54W88	54W88	54W88	54W88	54W88	54W88	54W88
Model No.	LGH180H4											
Blower Motor HP	3		5		7.5		3	5	7.5	3	5	7.5
Unit Only	54W88	54W88	54W88	54W88	54W89	54W89	54W88	54W88	54W88	54W88	54W88	54W88
Unit w/ Power Exhaust	54W88	54W88	54W89	54W89	54W89	54W89	54W88	54W88	54W88	54W88	54W88	54W88
Model No.	LGH210H4											
Blower Motor HP	3		5		7.5		3	5	7.5	3	5	7.5
Unit Only	54W89	54W89	54W89	54W89	54W89	54W89	54W88	54W88	54W88	54W88	54W88	54W88
Unit w/ Power Exhaust	54W89	54W89	54W89	54W89	54W89	54W89	54W88	54W88	54W88	54W88	54W88	54W88
Model No.	LGH240H4											
Blower Motor HP	5		7.5		10		5	7.5	10	5	7.5	10
Unit Only	54W89	54W89	54W89	54W89	54W89	54W89	54W88	54W88	54W88	54W88	54W88	54W88
Unit w/ Power Exhaust	54W89	54W89	54W89	54W89	54W89	54W89	54W88	54W88	54W88	54W88	54W88	54W88
Model No.	LGH300S4											
Blower Motor HP	5		7.5		10		5	7.5	10	5	7.5	10
Unit Only	54W89	54W89	54W89	54W89	54W89	54W89	54W88	54W88	54W88	54W88	54W88	54W88
Unit w/ Power Exhaust	54W89	54W89	54W89	54W89	90W82	90W82	54W88	54W88	54W88	54W88	54W88	54W88

## INSTALLATION CLEARANCES

### Unit With Economizer



Note: 210-240-300 sizes shown

<sup>1</sup> Unit Clearance	A		B		C		D		Top Clearance
	in.	mm	in.	mm	in.	mm	in.	mm	
<b>Service Clearance</b>	60	1524	36	914	36	934	66	1676	Unobstructed
<b>Clearance to Combustibles</b>	36	914	1	25	1	25	1	25	
<b>Minimum Operation Clearance</b>	45	1143	36	914	36	914	41	1041	

NOTE - Entire perimeter of unit base requires support when elevated above the mounting surface.

<sup>1</sup> **Service Clearance** - Required for removal of serviceable parts.

**Clearance to Combustibles** - Required clearance to combustible material.

**Minimum Operation Clearance** - Required clearance for proper unit operation.

## OUTDOOR SOUND DATA

Unit Model Number	Octave Band Sound Power Levels dBA, re 10 <sup>-12</sup> Watts - Center Frequency - Hz							<sup>1</sup> Sound Rating Number (dBA)
	125	250	500	1000	2000	4000	8000	
156	71	78	81	81	76	71	63	86
180	80	83	87	88	84	80	71	93
210, 240, 300	79	84	88	89	85	82	73	94

Note - The octave sound power data does not include tonal corrections.

<sup>1</sup> Sound Rating Number according to AHRI Standard 370-2001 (includes pure tone penalty). Sound Rating Number is the overall A-Weighted Sound Power Level, (LWA), dBA (100 Hz to 10,000 Hz).

## WEIGHT DATA

Model Number	Outdoor Coil	Net		Shipping		Outdoor Coil	Net		Shipping	
		lbs.	kg	lbs.	kg		lbs.	kg		
156 Base Unit	Eco-Last™	1935	878	2135	968	Fin/Tube	2000	907	2200	998
156 Max. Unit	Eco-Last™	2205	1000	2405	1091	Fin/Tube	2270	1030	2470	1120
180 Base Unit	Eco-Last™	2115	959	2315	1050	Fin/Tube	2220	1007	2420	1098
180 Max. Unit	Eco-Last™	2400	1089	2600	1179	Fin/Tube	2505	1136	2705	1227
210 Base Unit	Eco-Last™	2240	1016	2440	1107	Fin/Tube	2330	1057	2530	1148
210 Max. Unit	Eco-Last™	2525	1145	2725	1236	Fin/Tube	2615	1186	2815	1277
240 Base Unit	Eco-Last™	2325	1055	2525	1145	Fin/Tube	2430	1102	2630	1193
240 Max. Unit	Eco-Last™	2610	1184	2810	1275	Fin/Tube	2715	1232	2915	1322
300 Base Unit	Eco-Last™	2450	1111	2650	1202	Fin/Tube	2515	1141	2715	1232
300 Max. Unit	Eco-Last™	2735	1241	2935	1331	Fin/Tube	2800	1270	3000	1361

Max. Unit - The unit with ALL INTERNAL OPTIONS Installed. (Economizer, Standard Static Power Exhaust Fans, Controls, etc.). Does not include accessories external to unit.

## OPTIONS / ACCESSORIES

Description	Shipping Weight		
	lbs.	kg	
<b>CEILING DIFFUSERS</b>			
Step-Down	RTD11-185S	168	76
	RTD11-275S	238	108
Flush	FD11-185S	168	76
	FD11-275S	238	108
Transitions	C1DIFF33C-1	80	36
	C1DIFF34C-1	75	34

## ECONOMIZER / OUTDOOR AIR / EXHAUST

<b>Economizer</b>		
Economizer Dampers	102	46
Barometric Relief Dampers (downflow)	30	14
Barometric Relief Dampers (horizontal)	20	9
Outdoor Air Damper Hood (downflow)	65	29
<b>Outdoor Air Dampers</b>		
Outdoor Air Damper Section (downflow) - Automatic (including Hood)	18	39
Outdoor Air Damper Section (downflow) - Manual (including Hood)	10	22
<b>Power Exhaust</b>		
	62	28
<b>GAS HEAT EXCHANGER (NET WEIGHT)</b>		
Medium Heat (adder over standard heat)	18	8
High Heat (adder over standard heat)	64	29

## DEHUMIDIFICATION SYSTEM

Dehumidification Option (Net Weight)	50	23
--------------------------------------	----	----

## SINGLE ZONE VAV SUPPLY FAN

Variable Frequency Drive (VFD) and associated components	10	5
--	----	---

## ROOF CURBS

<b>Hybrid Roof Curbs, Downflow</b>		
8 in. height	75	34
14 in. height	105	48
18 in. height	125	57
24 in. height	155	70
<b>Adjustable Pitch Curb, Downflow</b>		
14 in. height	262	119
<b>Horizontal, Standard</b>		
26 in. height	470	213
37 in. height	505	229
30 in. height	575	261
41 in. height	610	277

## PACKAGING

LTL Packaging (less than truck load)	310	141
--------------------------------------	-----	-----



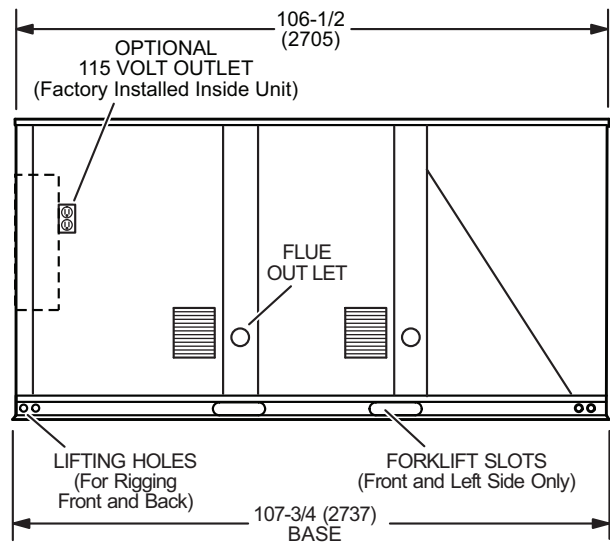
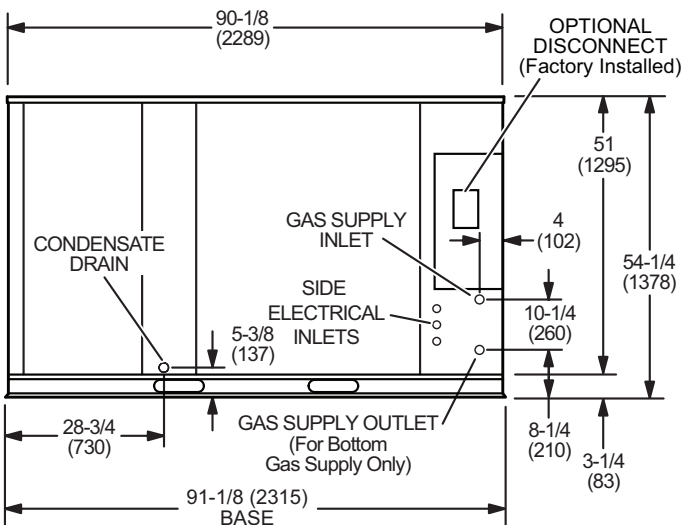
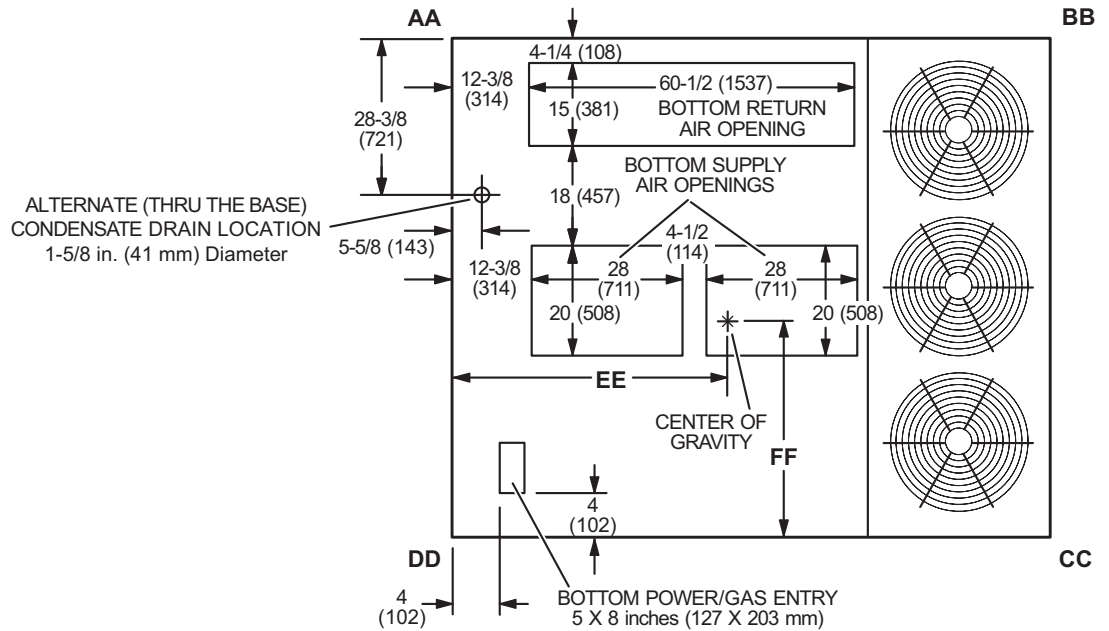
**CORNER WEIGHTS**

**CENTER OF GRAVITY**

Model No.	AA		BB		CC		DD		EE		FF	
	lbs.	kg	lbs.	kg	lbs.	kg	lbs.	kg	in.	mm	in.	mm
LGH156 Base Unit (Eco-Last™ Coil)	473	215	367	167	483	219	612	278	47-1/4	1200	39-1/2	1003
LGH156 Max. Unit (Eco-Last™ Coil)	586	266	447	203	510	232	663	301	46-3/4	1187	42-3/4	1086
LGH156 Base Unit (Fin/Tube Coil)	476	216	397	180	513	233	615	279	49	1245	39-3/4	1010
LGH156 Max. Unit (Fin/Tube Coil)	588	267	477	216	540	245	665	302	48-1/4	1226	42-3/4	1086

Base Unit - The unit with NO INTERNAL OPTIONS.

Max. Unit - The unit with ALL INTERNAL OPTIONS Installed. (Economizer, Standard Static Power Exhaust Fans, Controls, etc.). Does not include accessories external to unit.



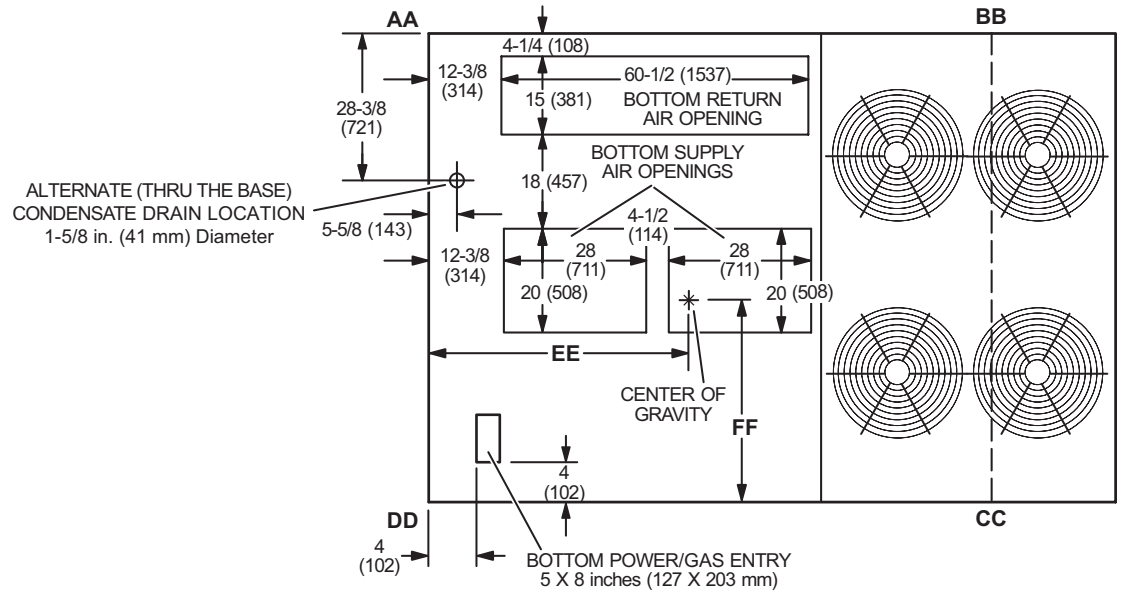
**DIMENSIONS - UNIT**

**LGH180**

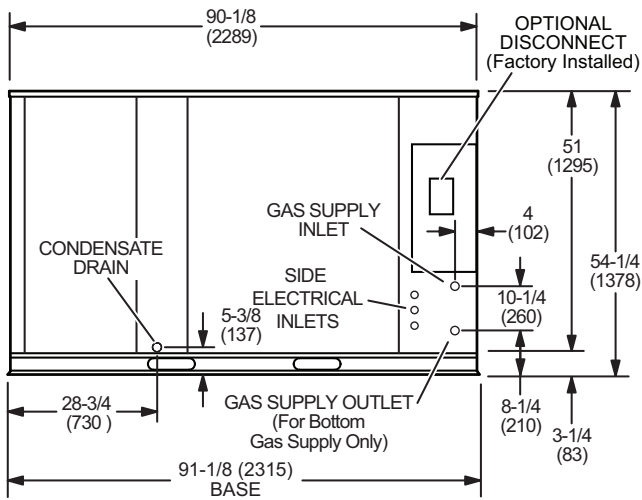
Model No.	CORNER WEIGHTS								CENTER OF GRAVITY			
	AA		BB		CC		DD		EE		FF	
	lbs.	kg	lbs.	kg	lbs.	kg	lbs.	kg	in.	mm	in.	mm
LGH180 Base Unit (Eco-Last™ Coil)	487	221	423	192	569	259	636	289	50-3/4	1289	39-1/4	997
LGH180 Max. Unit (Eco-Last™ Coil)	597	272	505	229	599	272	699	318	49-3/4	1264	42	1067
LGH180 Base Unit (Fin/Tube)	487	221	476	216	622	282	636	288	53-1/4	1353	39-1/2	1003
LGH180 Max. Unit (Fin/Tube)	597	271	557	253	652	296	699	317	52	1321	42	1067

Base Unit - The unit with NO INTERNAL OPTIONS.

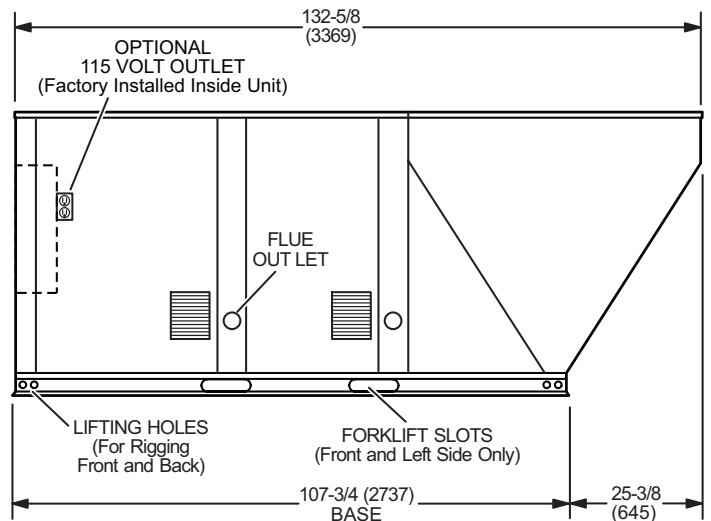
Max. Unit - The unit with ALL INTERNAL OPTIONS Installed. (Economizer, Standard Static Power Exhaust Fans, Controls, etc.). Does not include accessories external to unit.



**TOP VIEW**



**END VIEW**



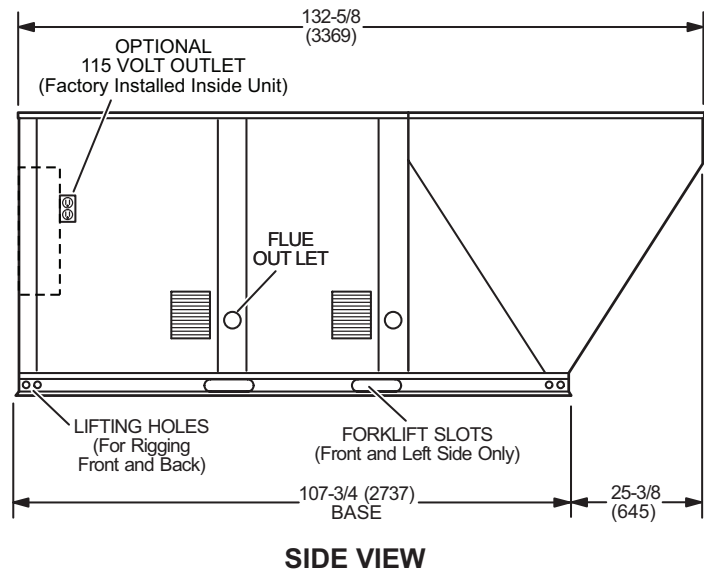
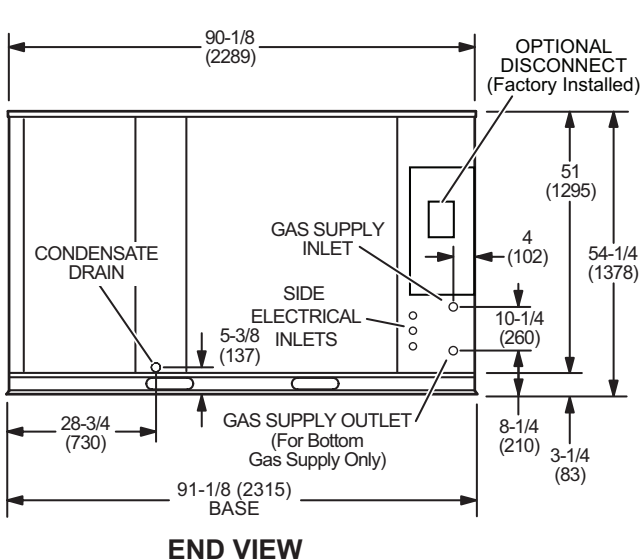
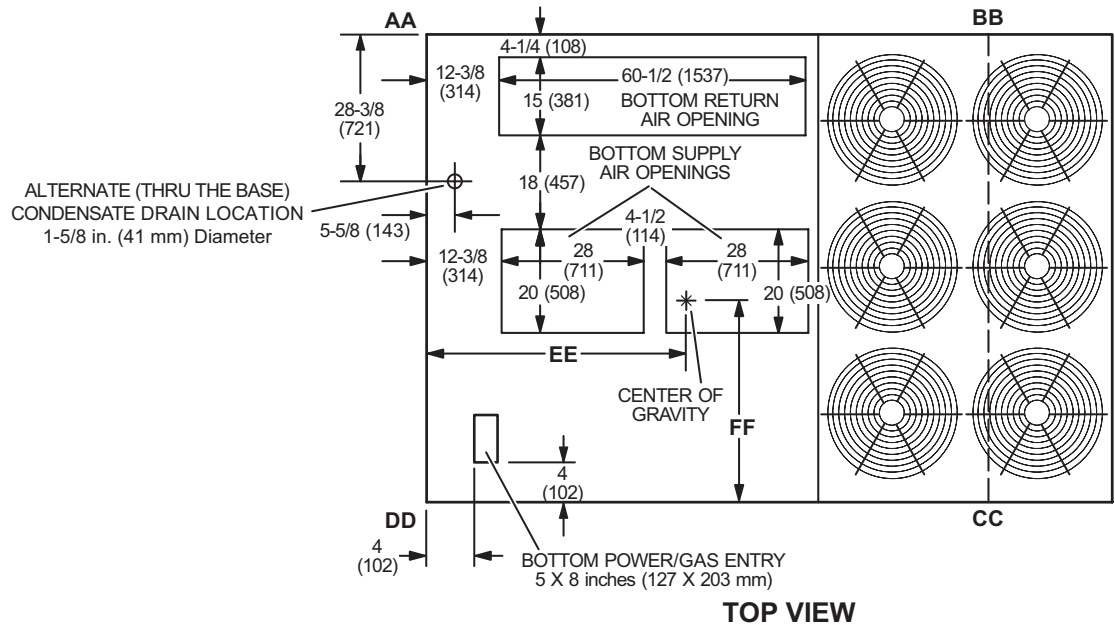
**SIDE VIEW**

**CORNER WEIGHTS**

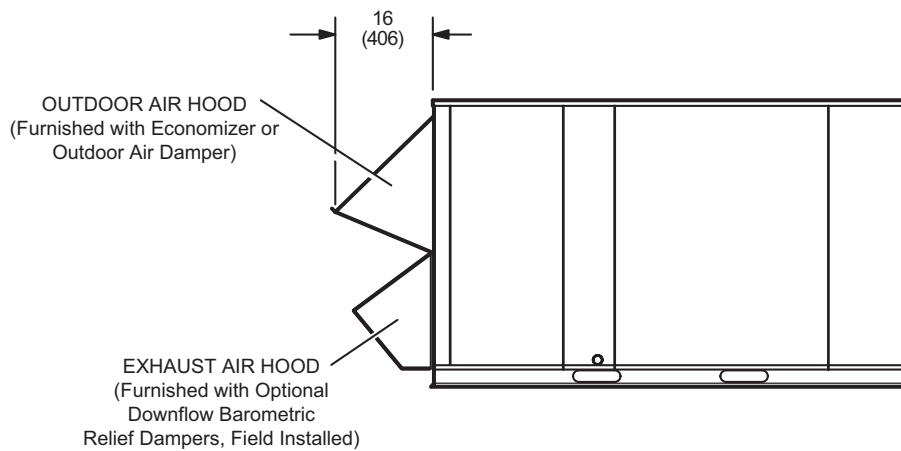
Model No.	CORNER WEIGHTS								CENTER OF GRAVITY			
	AA		BB		CC		DD		EE		FF	
	lbs.	kg	lbs.	kg	lbs.	kg	lbs.	kg	in.	mm	in.	mm
LGH210 Base Uni (Eco-Last™ Coil)	497	226	468	213	626	284	649	295	52-3/4	1340	39-1/4	997
LGH210 Max. Unit (Eco-Last™ Coil)	607	276	553	252	655	298	710	323	51-1/2	1308	42	1067
LGH210 Base Unit (Fin/Tube Coil)	497	225	513	233	671	304	649	294	54-3/4	1391	39-1/2	1003
LGH210 Max. Unit (Fin/Tube Coil)	607	275	598	271	700	318	710	322	53-1/2	1359	42	1067
LGH240 Base Unit (Eco-Last™ Coil)	507	230	481	219	660	300	677	308	53	1346	38-3/4	984
LGH240 Max. Unit (Eco-Last™ Coil)	617	280	567	258	688	313	738	335	52	1321	41-1/2	1054
LGH240 Base Unit (Fin/Tube Coil)	507	230	533	242	713	323	677	307	55-1/4	1403	39	991
LGH240 Max. Unit (Fin/Tube Coil)	617	280	620	281	741	336	738	335	54	1372	41-1/2	1054
LGH300 Base Unit (Eco-Last™ Coil)	500	227	522	237	731	332	699	318	53-1/2	1359	38	965
LGH300 Max. Unit (Eco-Last™ Coil)	609	277	607	276	759	345	761	346	52-1/2	1334	40-1/2	1029
LGH300 Base Unit (Fin/Tube Coil)	524	238	518	236	733	333	741	337	55	1397	37-3/4	959
LGH300 Max. Unit (Fin/Tube Coil)	638	290	608	276	759	345	797	362	53-3/4	1365	40-1/2	1029

Base Unit - The unit with NO INTERNAL OPTIONS.

Max. Unit - The unit with ALL INTERNAL OPTIONS Installed. (Economizer, Standard Static Power Exhaust Fans, Controls, etc.). Does not include accessories external to unit.

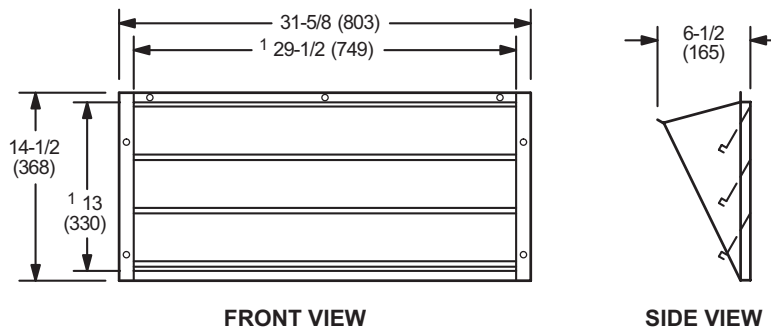


**OUTDOOR AIR HOOD DETAIL**



**OPTIONAL HORIZONTAL BAROMETRIC RELIEF DAMPERS WITH HOOD**

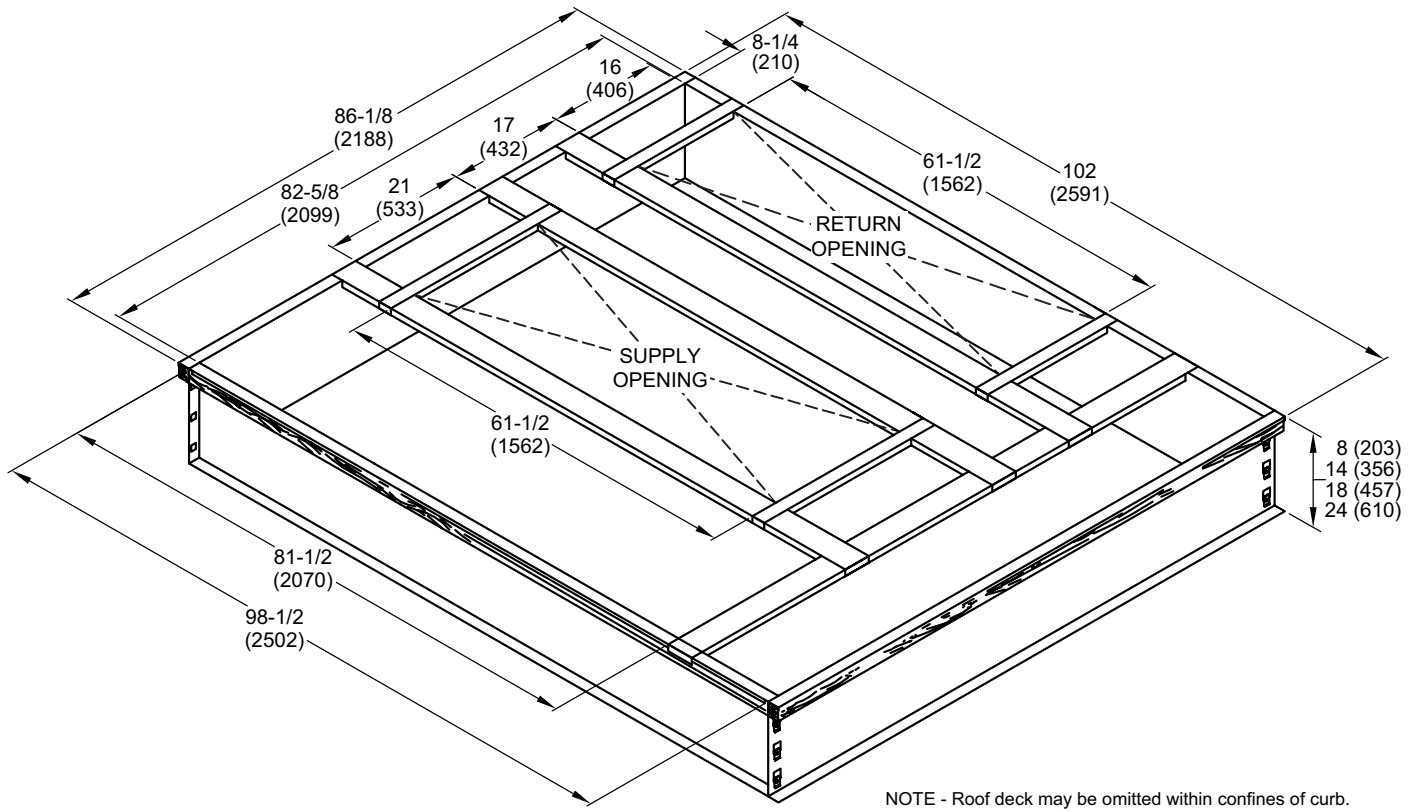
(Field installed in horizontal return air duct adjacent to unit)



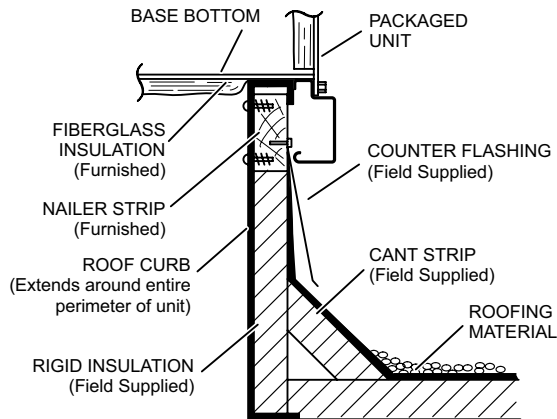
NOTE - Two furnished per order no.  
<sup>1</sup> NOTE - Opening size required in return air duct.

# DIMENSIONS - OPTIONAL ACCESSORIES

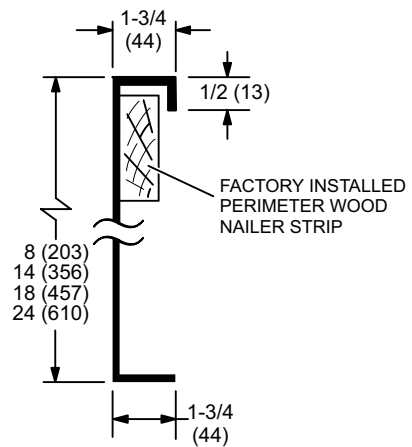
## HYBRID ROOF CURBS - DOUBLE DUCT OPENING



**TYPICAL FLASHING DETAIL FOR ROOF CURB**

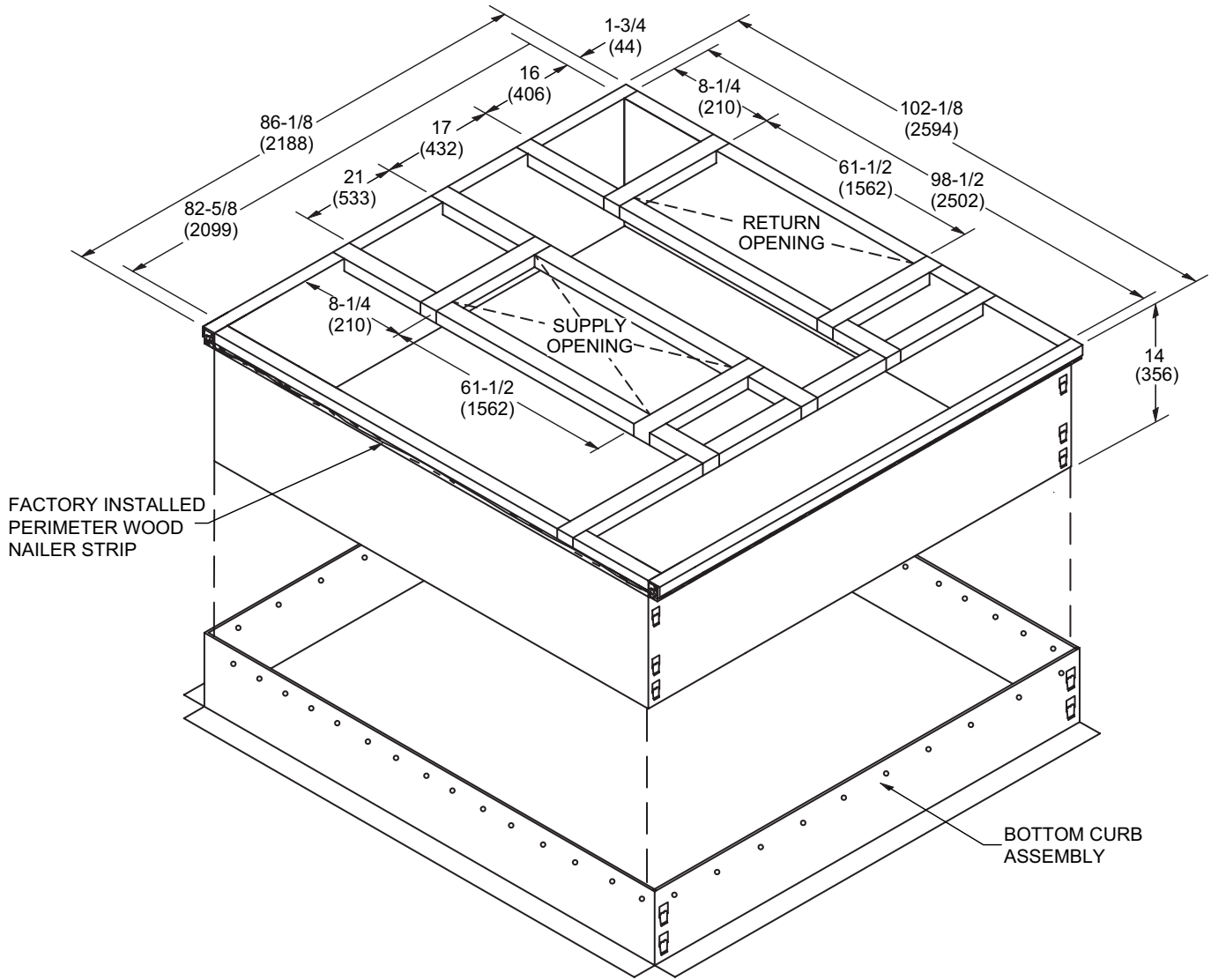


**DETAIL ROOF CURB**



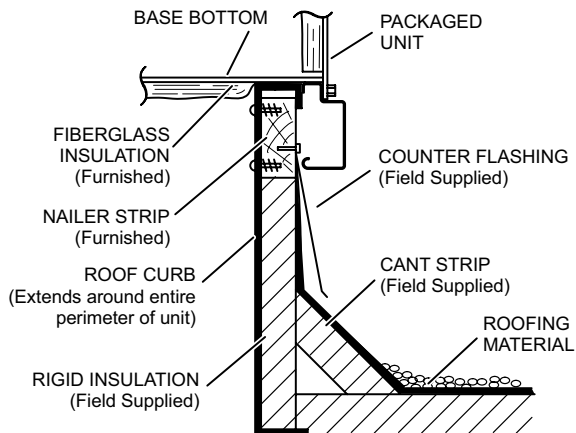
# DIMENSIONS - OPTIONAL ACCESSORIES

## ADJUSTABLE PITCH CURB - DOUBLE DUCT OPENING

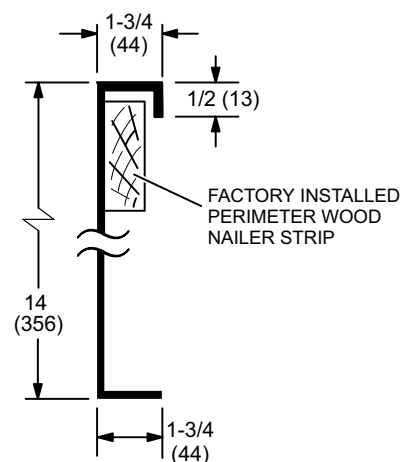


NOTE - Maximum slope pitch is 3/4 in. per 1 foot (19 mm per 305 mm) in any one direction.

### TYPICAL FLASHING DETAIL FOR ROOF CURB

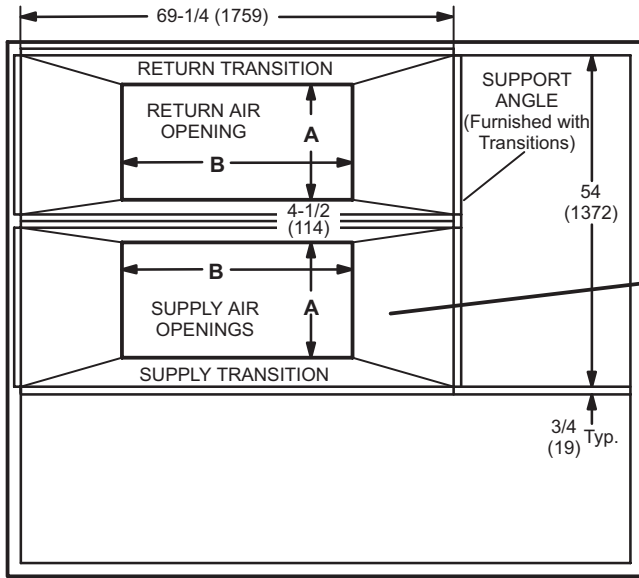


### DETAIL ROOF CURB

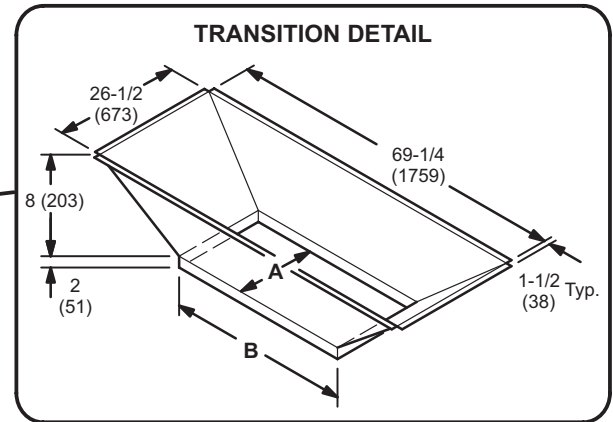


## DIMENSIONS - OPTIONAL ACCESSORIES

### ROOF CURBS WITH SUPPLY & RETURN AIR TRANSITIONS FOR CEILING DIFFUSERS



TOP VIEW



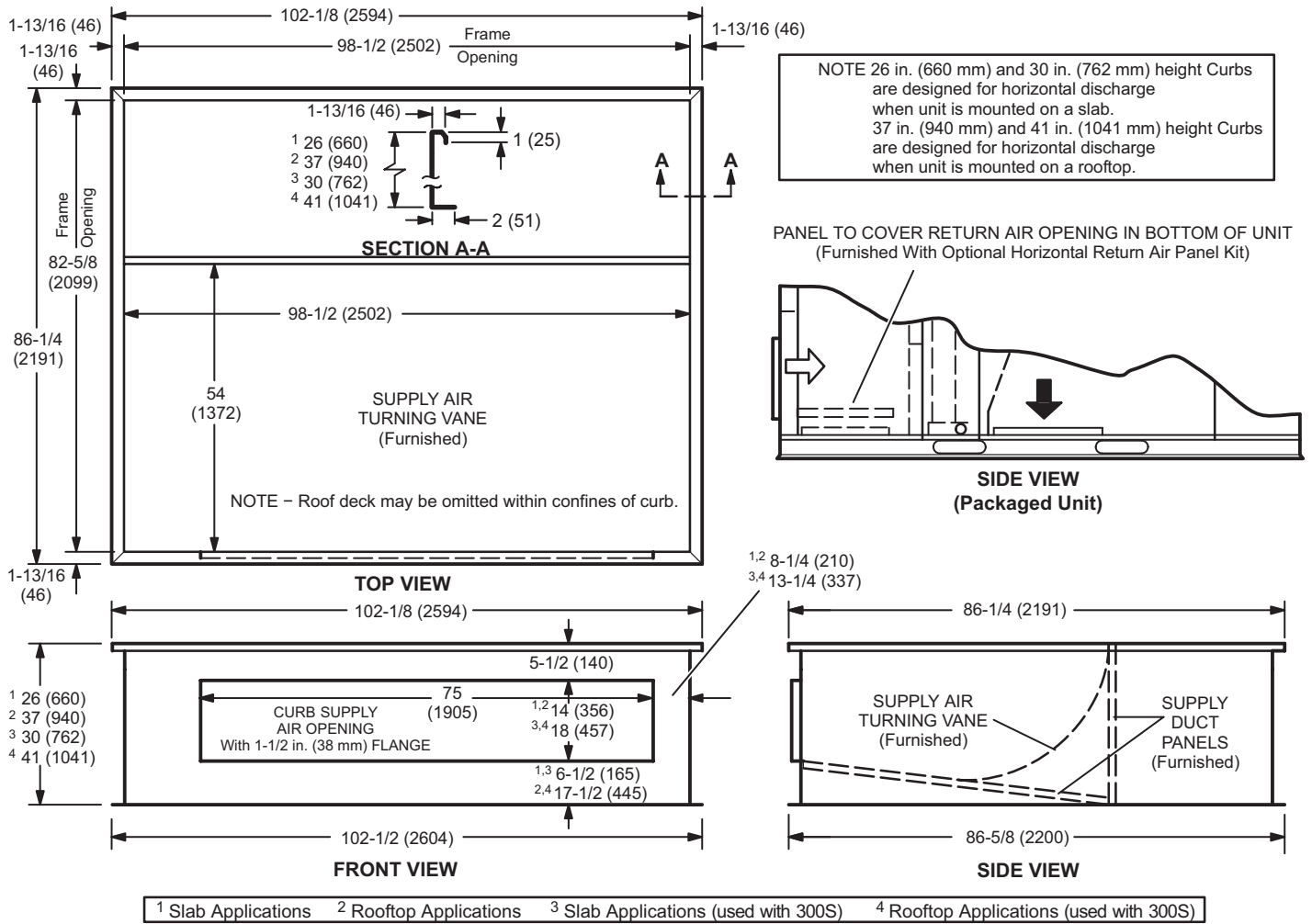
TRANSITION OPENING SIZES

Model Number	A		B	
	inch	mm	inch	mm
C1DIFF33C-1	18	457	36	914
C1DIFF34C-1	24	610	48	1219

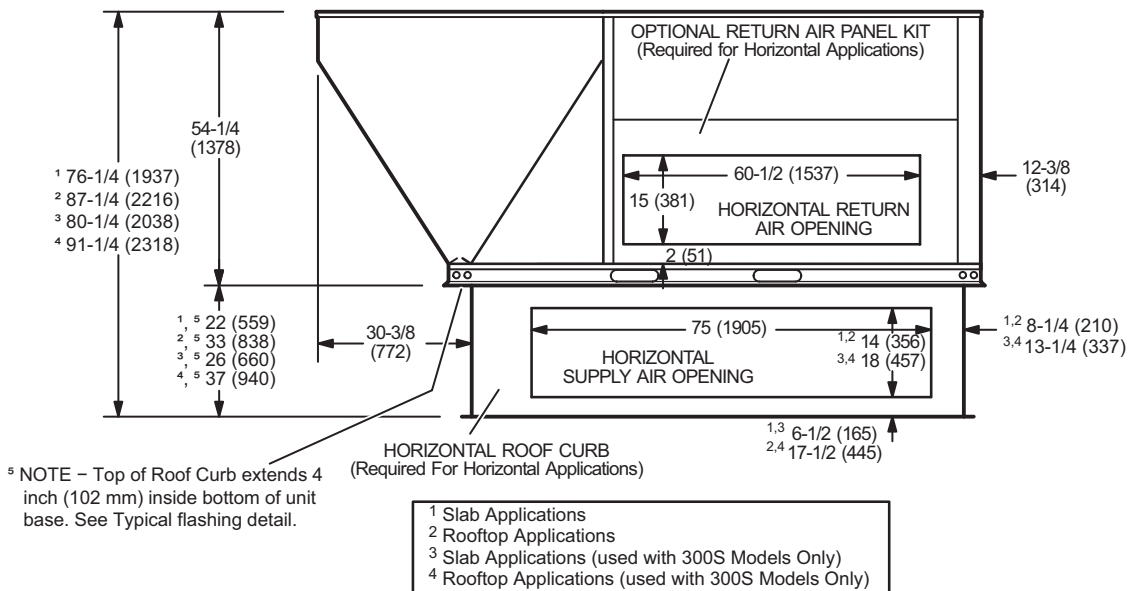


# DIMENSIONS - OPTIONAL ACCESSORIES

## HORIZONTAL ROOF CURBS – Requires Optional Horizontal Return Air Panel Kit



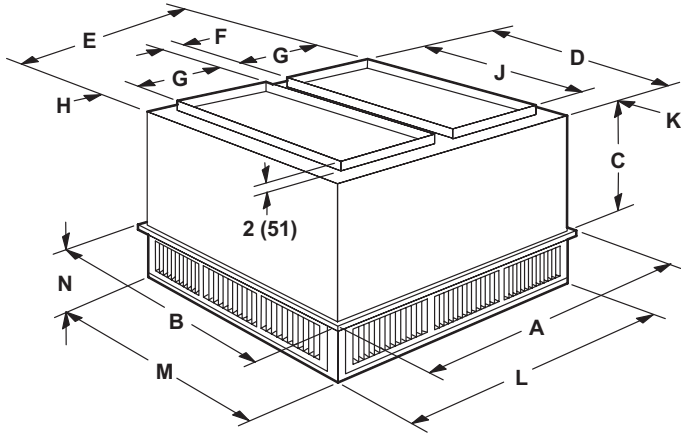
## HORIZONTAL SUPPLY AND RETURN AIR OPENINGS WITH HORIZONTAL ROOF CURB



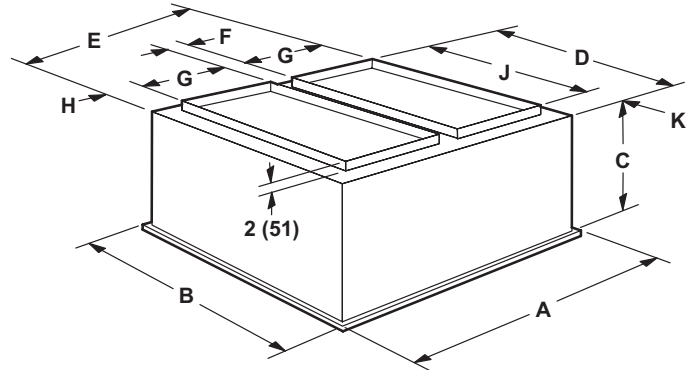
## DIMENSIONS - OPTIONAL ACCESSORIES

### COMBINATION CEILING SUPPLY AND RETURN DIFFUSERS

#### STEP-DOWN CEILING DIFFUSER



#### FLUSH CEILING DIFFUSER



Model Number		RTD11-185S	RTD11-275S
A	in.	47-5/8	59-5/8
	mm	1210	1514
B	in.	47-5/8	59-5/8
	mm	1210	1514
C	in.	24-5/8	30-5/8
	mm	625	778
D	in.	45-1/2	57-1/2
	mm	1156	1461
E	in.	45-1/2	57-1/2
	mm	1156	1461
F	in.	4-1/2	4-1/2
	mm	114	114
G	in.	18	24
	mm	457	610
H	in.	2-1/2	2-1/2
	mm	64	64
J	in.	36	48
	mm	914	1219
K	in.	4-3/4	4-3/4
	mm	121	121
L	in.	45-1/2	57-1/2
	mm	1156	1461
M	in.	45-1/2	57-1/2
	mm	1156	1461
N	in.	10-1/8	11-1/8
	mm	257	283
Duct Size	in.	18 x 36	24 x 48
	mm	457 x 914	610 x 1219

Model Number		FD11-185S	FD11-275S
A	in.	47-5/8	59-5/8
	mm	1210	1514
B	in.	47-5/8	59-5/8
	mm	1210	1514
C	in.	29-1/4	35-1/4
	mm	743	895
D	in.	45	57
	mm	1143	1148
E	in.	45	57
	mm	1143	1448
F	in.	4-1/2	4-1/2
	mm	114	114
G	in.	18	24
	mm	457	610
H	in.	2-1/4	2-1/4
	mm	57	57
J	in.	36	48
	mm	914	1219
K	in.	4-1/2	4-1/2
	mm	114	114
Duct Size	in.	18 x 36	24 x 48
	mm	457 x 914	610 x 1219



## REVISIONS

Sections	Description of Change
Options/Accessories	<b>Catalog numbers revised for:</b> Economizer Motorized Outdoor Air Dampers Power Exhaust Smoke Detectors



Visit us at [www.allied-commercial.com](http://www.allied-commercial.com)

For the latest technical information, visit us at [www.allied-commercial.com](http://www.allied-commercial.com)

Contact us at 1-800-448-5872

NOTE - Due to Allied Commercial ongoing commitment to quality, Specifications, Ratings and Dimensions subject to change without notice and without incurring liability. Improper installation, adjustment, alteration, service or maintenance can cause property damage or personal injury. Installation and service must be performed by a qualified installer and servicing agency.