

95G2V

PRODUCT SPECIFICATIONS

TWO STAGE VARIABLE SPEED GAS FURNACE

FORM NO. 95G2V-100 (10/2018)



CONFIGURATIONS

- Upflow / Horizontal
- Downflow

VENTING

- 2-speed induced draft motor with stainless steel shaft, steel ball bearings, and fan cooled for long life
- Vent materials for Canadian applications must comply with ULC S636
- Certified for direct vent (2-pipe) or non-direct (1-pipe) applications
- Direct vent refers to a combustion air supply intake pipe installed in conjunction with flue gas vent pipe.

INSTALLATION FEATURES

- Left or right gas and electric entry
- Zero step horizontal conversion
- Removable floor base (upflow/horizontal units) for bottom return air
- All models comply with California's South Coast Air Quality Management district Low NOx requirements

HEAT EXCHANGER DESIGN

- Aluminized steel primary heat exchanger with crimped non-welded construction
- AL29-4C Stainless steel secondary heat exchanger
- Non-welded crimped S-curve primary heat exchanger design for maximum durability

BURNERS

- Aluminized steel in shot burners for smooth ignition
- Isolated burner enclosure for quiet operation

CABINET CONSTRUCTION

- Compact 33" height
- Standardized widths for easy coil fit
- Unitized construction for cabinet integrity
- Heat exchanger compartment is insulated to increase efficiency and reduce sound levels
- Baked on pre painted steel cabinet finish

AIR DELIVERY SYSTEM

- Efficient ECM variable speed blower motor
- Motor features "soft start" and "soft stop" for quiet operation
- Active and passive dehumidification feature
- Easily removable slide-out blower design
- Dynamically balanced blower wheel with resilient motor mounts for smooth and quiet operation

CONTROLS

- Two stage gas valve
- Integrated ignition and fan control
- System Sentry™ control retains last five (5) fault codes with push button memory recall, regardless of power interruption
- Hot surface ignition system uses silicon nitride ignitor
- Control features 120 volt electronic air cleaner and humidifier terminals
- Control circuit is fuse protected
- Color coded control wiring
- Compatible with single or two stage thermostats for heating.
- Two stage thermostat is recommended when installed with two stage cooling unit.

WARRANTY

10 year limited parts warranty / lifetime heat exchanger warranty available. See limited warranty document for details.

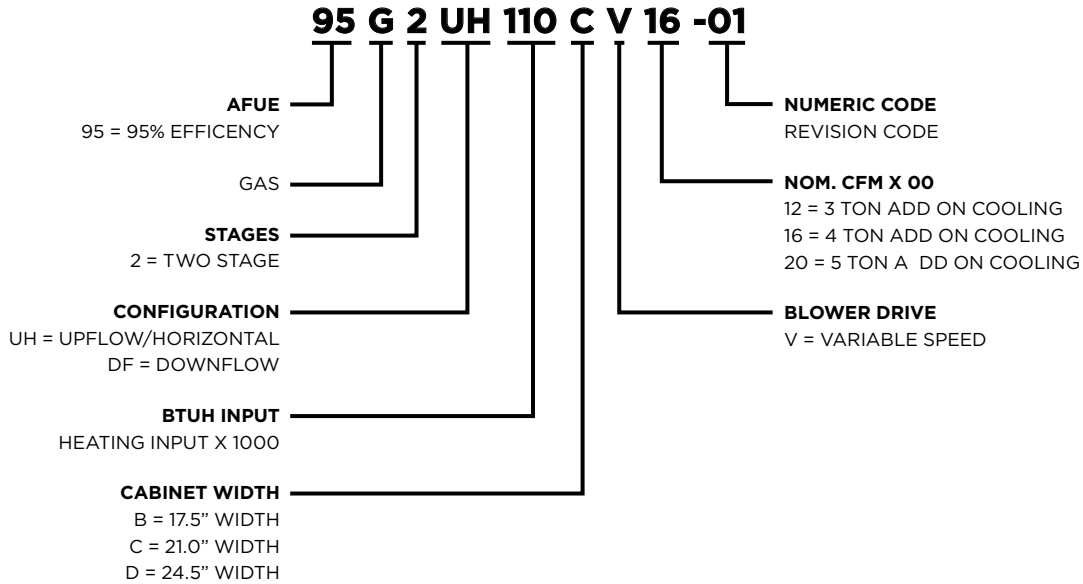
California Only

If installed in South Coast Air Quality Management District (SCAQMD) only: This furnace does not meet the SCAQMD Rule 1111 NOx emission limit (14 ng/L), and thus is subject to a mitigation fee of up to \$450. This furnace is not eligible for the Clean Air Furnace Rebate Program: www.CleanAirFurnaceRebate.com.

If installed in San Joaquin Valley Air Pollution Control District (SJVAPCD) only: This furnace does not meet the SJVAPCD Rule 4905 NOx emission limit (14 ng/L), and thus is subject to a mitigation fee of up to \$450.



MODEL NUMBER GUIDE



PHYSICAL AND ELECTRICAL DATA

| | Model | 1st Stage | | 2nd Stage | | AFUE (ICUS) | Nom. Cooling Capacity (tons) | Gas Inlet (in.) | Volts/Hz/Phase | Min. Time Delay Breaker or Fuse | Nominal F.L.A. | Trans. (V.A.) | Approx. Weight (lbs.) |
|-------------------|---------------|--------------|---------------|--------------|---------------|-------------|------------------------------|-----------------|----------------|---------------------------------|----------------|---------------|-----------------------|
| | | Input (Btuh) | Output (Btuh) | Input (Btuh) | Output (Btuh) | | | | | | | | |
| UPFLOW/HORIZONTAL | 95G2UH045BV12 | 29,000 | 28,000 | 44,000 | 42,000 | 95.0 | 3 | 1/2 | 120-60-1 | 15 | 7.7 | 40 | 130 |
| | 95G2UH070BV12 | 43,000 | 41,000 | 66,000 | 62,000 | 95.0 | 3 | 1/2 | 120-60-1 | 15 | 7.7 | 40 | 138 |
| | 95G2UH090CV12 | 57,000 | 55,000 | 88,000 | 84,000 | 95.0 | 3 | 1/2 | 120-60-1 | 15 | 7.7 | 40 | 154 |
| | 95G2UH090CV20 | 57,000 | 55,000 | 88,000 | 85,000 | 95.0 | 5 | 1/2 | 120-60-1 | 20 | 12.8 | 40 | 166 |
| | 95G2UH110CV20 | 72,000 | 70,000 | 110,000 | 105,000 | 95.0 | 4 | 1/2 | 120-60-1 | 15 | 12.8 | 40 | 173 |
| | 95G2UH135DV20 | 88,000 | 84,000 | 132,000 | 126,000 | 95.0 | 5 | 1/2 | 120-60-1 | 20 | 12.8 | 40 | 188 |
| DOWNFLOW | 95G2DF045BV12 | 29,000 | 28,000 | 44,000 | 43,000 | 95.0 | 3 | 1/2 | 120-60-1 | 15 | 7.7 | 40 | 131 |
| | 95G2DF070BV16 | 43,000 | 42,000 | 66,000 | 64,000 | 95.0 | 4 | 1/2 | 120-60-1 | 15 | 10.1 | 40 | 136 |
| | 95G2DF090CV20 | 57,000 | 56,000 | 88,000 | 85,000 | 95.0 | 5 | 1/2 | 120-60-1 | 20 | 12.8 | 40 | 164 |
| | 95G2DF110CV20 | 72,000 | 70,000 | 110,000 | 106,000 | 95.0 | 5 | 1/2 | 120-60-1 | 20 | 12.8 | 40 | 176 |

Note: For vent length and clearances to combustibles, please reference installation instructions.

FILTER REQUIREMENT DATA

| Airflow Descriptor | Disposable Filters | Cleanable Filters |
|--------------------|------------------------|-----------------------|
| | Minimum Area (sq. in.) | Minimum Area (sq.in.) |
| 12 | 576 | 288 |
| 16 | 768 | 384 |
| 20 | 960 | 480 |

1. The Airflow Descriptor is the two digits following the "B", "C", or "D" in the model number; e.g. "20" is the Airflow Descriptor.
 2. Areas shown for permanent filters are based on filters rated at 600 feet per minute face velocity.

BLOWER PERFORMANCE DATA (UPFLOW / HORIZONTAL)

| | Model | Motor Size (hp) | Blower Size | Heating Temp. Rise (°F) | Heating CFM @ .10" - .80" w.c. | | | | Cooling Stage | Cooling CFM @ .10" - .80" w.c. | | | | Speed Adjust. |
|---------------------|---------------|-----------------|-----------------|-------------------------|--------------------------------|-------------|-------------|-------------|---------------|--------------------------------|-------------|---------------------------|-------------|---------------|
| | | | | | Setting "D" | Setting "C" | Setting "B" | Setting "A" | | Setting "D" | Setting "C" | Setting Upflow/Horizontal | Setting "A" | |
| | | | | | | | | | | | | | | |
| UPFLOW / HORIZONTAL | 95G2UH045BV12 | 1/2 | 10x9 | 35-65 High Fire | 745 | 875 | 990 | 1005 | 2nd Stage | 905 | 1075 | 1210 | 1370 | + |
| | | | | | 685 | 765 | 895 | 910 | | 815 | 980 | 1120 | 1255 | Norm |
| | | | | | 610 | 695 | 785 | 810 | | 720 | 885 | 1020 | 1135 | - |
| | | | | 20-50 Low Fire | 685 | 765 | 895 | 910 | 1st Stage | 595 | 760 | 865 | 980 | + |
| | | | | | 620 | 705 | 800 | 820 | | 540 | 660 | 785 | 890 | Norm |
| | | | | | 545 | 625 | 715 | 725 | | 485 | 600 | 695 | 790 | - |
| | 95G2UH070BV12 | 1/2 | 10x9 | 50-80 High Fire | 965 | 1130 | 1255 | 1400 | 2nd Stage | 860 | 1060 | 1215 | 1365 | + |
| | | | | | 880 | 990 | 1140 | 1295 | | 810 | 960 | 1130 | 1265 | Norm |
| | | | | | 810 | 890 | 1030 | 1170 | | 705 | 840 | 1005 | 1140 | - |
| | | | | 25-55 Low Fire | 940 | 1070 | 1195 | 1345 | 1st Stage | 600 | 740 | 840 | 970 | + |
| | | | | | 830 | 965 | 1100 | 1235 | | 555 | 665 | 770 | 855 | Norm |
| | | | | | 755 | 840 | 975 | 1130 | | 500 | 600 | 680 | 790 | - |
| | 95G2UH090CV12 | 1/2 | 10x9 | 60-90 High Fire | 1060 | 1135 | 1240 | 1430 | 2nd Stage | 875 | 1040 | 1210 | 1360 | + |
| | | | | | 960 | 1040 | 1120 | 1310 | | 800 | 945 | 1100 | 1245 | Norm |
| | | | | | 830 | 935 | 980 | 1175 | | 720 | 840 | 970 | 1115 | - |
| | | | | 30-60 Low Fire | 960 | 1040 | 1120 | 1310 | 1st Stage | 625 | 710 | 830 | 950 | + |
| | | | | | 875 | 945 | 995 | 1195 | | 565 | 670 | 760 | 860 | Norm |
| | | | | | 790 | 840 | 920 | 1080 | | 520 | 610 | 685 | 785 | - |
| | 95G2UH090CV20 | 1 | 11x11 | 40-70 High Fire | 1450 | 1565 | 1725 | 1865 | 2nd Stage | 1385 | 1595 | 1820 | 2020 | + |
| | | | | | 1310 | 1450 | 1585 | 1690 | | 1225 | 1465 | 1645 | 1885 | Norm |
| | | | | | 1155 | 1305 | 1450 | 1545 | | 1065 | 1320 | 1504 | 1675 | - |
| | | | | 25-55 Low Fire | 1120 | 1265 | 1420 | 1520 | 1st Stage | 935 | 1055 | 1275 | 1465 | + |
| | | | | | 965 | 1120 | 1285 | 1395 | | 835 | 980 | 1120 | 1335 | Norm |
| | | | | | 865 | 950 | 1120 | 1235 | | 740 | 870 | 1010 | 1150 | - |
| 95G2UH110DV20 | 1 | 11x11 | 45-75 High Fire | 1560 | 1760 | 1905 | 2080 | 2nd Stage | 1310 | 1560 | 1745 | 1955 | + | |
| | | | | 1415 | 1610 | 1740 | 1930 | | 1220 | 1405 | 1570 | 1795 | Norm | |
| | | | | 1285 | 1485 | 1560 | 1745 | | 1075 | 1270 | 1430 | 1635 | - | |
| | | | 35-65 Low Fire | 1155 | 1325 | 1420 | 1565 | 1st Stage | 935 | 1065 | 1245 | 1405 | + | |
| | | | | 1055 | 1200 | 1310 | 1480 | | 865 | 970 | 1145 | 1280 | Norm | |
| | | | | 935 | 1075 | 1170 | 1315 | | 790 | 890 | 1025 | 1165 | - | |
| 95G2UH135DV20 | 1 | 11x11 | 45-75 High Fire | 1560 | 1760 | 1905 | 2080 | 2nd Stage | 1310 | 1560 | 1745 | 1955 | + | |
| | | | | 1415 | 1610 | 1740 | 1930 | | 1220 | 1405 | 1570 | 1795 | Norm | |
| | | | | 1285 | 1485 | 1560 | 1745 | | 1075 | 1270 | 1430 | 1635 | - | |
| | | | 35-65 Low Fire | 1155 | 1325 | 1420 | 1565 | 1st Stage | 935 | 1065 | 1245 | 1405 | + | |
| | | | | 1055 | 1200 | 1310 | 1480 | | 865 | 970 | 1145 | 1280 | Norm | |
| | | | | 935 | 1075 | 1170 | 1315 | | 790 | 890 | 1025 | 1165 | - | |

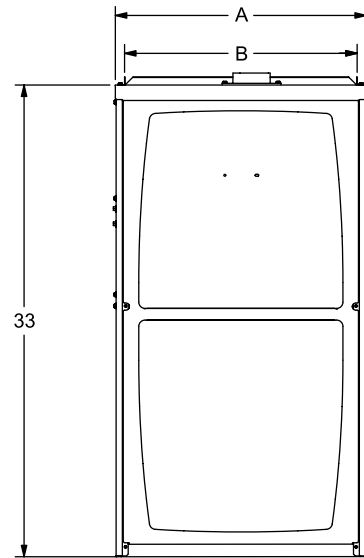
BLOWER PERFORMANCE DATA (DOWNFLOW)

| | Model | Motor Size (hp) | Blower Size | Heating Temp. Rise (°F) | Heating CFM @ .10" - .80" w.c. | | | | Cooling Stage | Cooling CFM @ .10" - .80" w.c. | | | | Speed Adjustment |
|----------|---------------|-----------------|-------------|-------------------------|--------------------------------|-------------|-------------|-------------|---------------|--------------------------------|-------------|-------------|-------------|------------------|
| | | | | | Setting "D" | Setting "C" | Setting "B" | Setting "A" | | Setting "D" | Setting "C" | Setting "B" | Setting "A" | |
| DOWNFLOW | 95G2DF045BV12 | 1/2 | 10x9 | 35-65 High Fire | 735 | 830 | 1015 | 1210 | 2nd Stage | 895 | 1050 | 1210 | 1360 | + |
| | | | | | 680 | 750 | 930 | 1070 | | 805 | 965 | 1105 | 1250 | Norm |
| | | | | | 625 | 695 | 835 | 1000 | | 735 | 865 | 1000 | 1130 | - |
| | | | | 20-50 Low Fire | 705 | 780 | 975 | 1110 | 1st Stage | 640 | 755 | 850 | 975 | + |
| | | | | | 655 | 730 | 890 | 1055 | | 580 | 695 | 780 | 880 | Norm |
| | | | | | 595 | 670 | 790 | 960 | | 545 | 645 | 720 | 795 | - |
| | 95G2DF070BV16 | 3/4 | 11x10 | 35-65 High Fire | 1110 | 1305 | 1430 | 1700 | 2nd Stage | 1110 | 1340 | 1575 | 1800 | + |
| | | | | | 995 | 1175 | 1315 | 1520 | | 995 | 1230 | 1420 | 1650 | Norm |
| | | | | | 880 | 1055 | 1170 | 1365 | | 880 | 1085 | 1290 | 1460 | - |
| | | | | 25-55 Low Fire | 860 | 1020 | 1140 | 1340 | 1st Stage | 740 | 915 | 1055 | 1255 | + |
| | | | | | 795 | 910 | 1030 | 1230 | | 660 | 820 | 940 | 1120 | Norm |
| | | | | | 680 | 825 | 910 | 1085 | | 575 | 735 | 850 | 995 | - |
| | 95G2DF090CV20 | 1 | 11x11 | 40-70 High Fire | 1395 | 1555 | 1695 | 1825 | 2nd Stage | 1335 | 1600 | 1750 | 1980 | + |
| | | | | | 1275 | 1395 | 1585 | 1670 | | 1225 | 1450 | 1630 | 1830 | Norm |
| | | | | | 1145 | 1265 | 1405 | 1525 | | 1120 | 1270 | 1450 | 1660 | - |
| | | | | 30-60 Low Fire | 1130 | 1230 | 1365 | 1475 | 1st Stage | 955 | 1115 | 1265 | 1450 | + |
| | | | | | 1040 | 1130 | 1250 | 1340 | | 855 | 1005 | 1150 | 1285 | Norm |
| | | | | | 910 | 1025 | 1130 | 1210 | | 750 | 890 | 1060 | 1170 | - |
| | 95G2DF110CV20 | 1 | 11x11 | 45-75 High Fire | 1595 | 1795 | 1955 | 2140 | 2nd Stage | 1335 | 1585 | 1790 | 2010 | + |
| | | | | | 1450 | 1615 | 1795 | 1975 | | 1220 | 1440 | 1630 | 1865 | Norm |
| | | | | | 1290 | 1460 | 1610 | 1795 | | 1100 | 1275 | 1475 | 1680 | - |
| | | | | 35-65 Low Fire | 1165 | 1305 | 1465 | 1625 | 1st Stage | 920 | 1095 | 1265 | 1440 | + |
| | | | | | 1055 | 1185 | 1315 | 1475 | | 830 | 965 | 1130 | 1290 | Norm |
| | | | | | 930 | 1070 | 1180 | 1320 | | 735 | 860 | 1035 | 1155 | - |

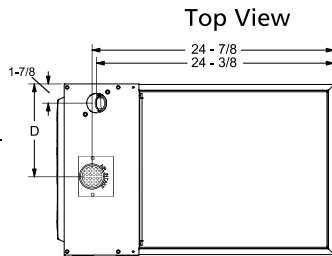
DIMENSIONS (IN.)

| | Model | A | B | C | D |
|-------------------|---------------|--------|--------|--------|--------|
| UPFLOW/HORIZONTAL | 95G2UH045BV12 | 17-1/2 | 16-3/8 | 16 | 7-5/8 |
| | 95G2UH070BV12 | 17-1/2 | 16-3/8 | 16 | 7-5/8 |
| | 95G2UH090CV12 | 21 | 19-7/8 | 19-1/2 | 9-3/8 |
| | 95G2UH090CV20 | 21 | 19-7/8 | 19-1/2 | 9-3/8 |
| | 95G2UH110CV20 | 21 | 19-7/8 | 19-1/2 | 9-3/8 |
| | 95G2UH135DV20 | 24-1/2 | 23-3/8 | 23 | 11-1/8 |
| DOWNFLOW | 95G2DF045BV12 | 17-1/2 | 16-3/8 | 16 | 15-1/2 |
| | 95G2DF070BV16 | 17-1/2 | 16-3/8 | 16 | 15-1/2 |
| | 95G2DF090CV20 | 21 | 19-7/8 | 19-1/2 | 19 |
| | 95G2DF110CV20 | 21 | 19-7/8 | 19-1/2 | 19 |

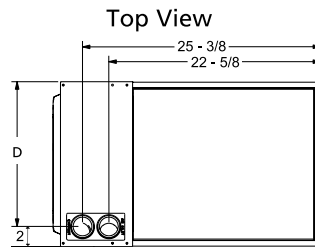
Front View



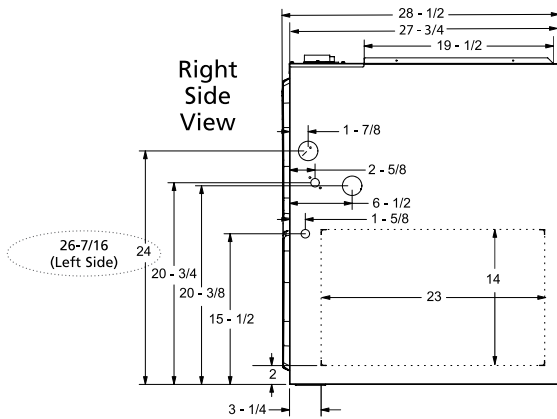
Upflow / Horizontal



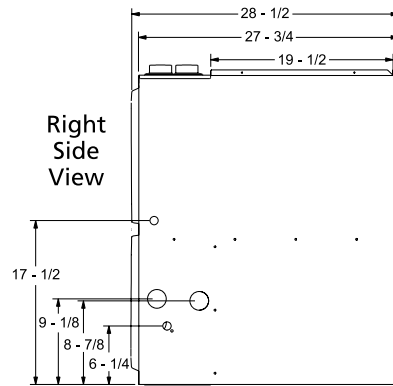
Downflow



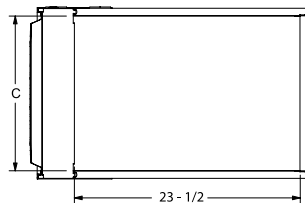
Right Side View



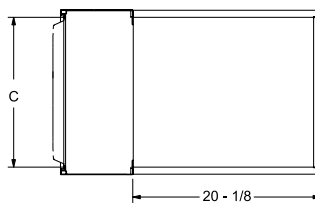
Right Side View



Bottom View



Bottom View



ACCESSORY LIST

| CATALOG NUMBER | DESCRIPTION |
|---|----------------------------------|
| EXTERNAL FILTER RACK KITS | |
| 1.841018 | 1 pack (16 x 25) |
| 1.841039 | 10 pack (16 x 25) |
| NATURAL TO LP KITS | |
| 11K48 | 2-Stage - 90 |
| 11K47 | High Altitude 2-Stage (>4500ft.) |
| RETURN AIR BASE | |
| 68W62 | 17.5" B Width |
| 68W63 | 21.0" C Width |
| 68W64 | 24.5" D Width |
| DOWNFLOW COMBUSTIBLE FLOORING BASE | |
| 11M60 | 17.5" B Width |
| 11M61 | 21.0" C Width |
| NIGHT SERVICE KITS | |
| 84W50 | Two Stage |
| HORIZONTAL SUSPENSION KIT | |
| 51W10 | 80% & 90% Kit |
| FLUSH MOUNT TERMINATION (90% FURNACES ONLY) US ONLY | |
| 51W11 | 2" & 3" Vent Version |
| CONCENTRIC VENT KIT (90% FURNACES ONLY) US ONLY | |
| 71M80 | 1-1/2" Vent Version |
| 69M29 | 2" Vent Version |
| 60L46 | 3" Vent Version |
| CONCENTRIC VENT KIT (90% FURNACES ONLY) CANADA | |
| 44W92 | 1-1/2" and 2" Vent Version |
| 44W93 | 3" Vent Version |

For vent length and clearances to combustibles, please reference installation instructions.



1-800-448-5872

All specifications and illustrations subject to change without notice and without incurring obligations.