

## 13HPD/DL Features and Benefits

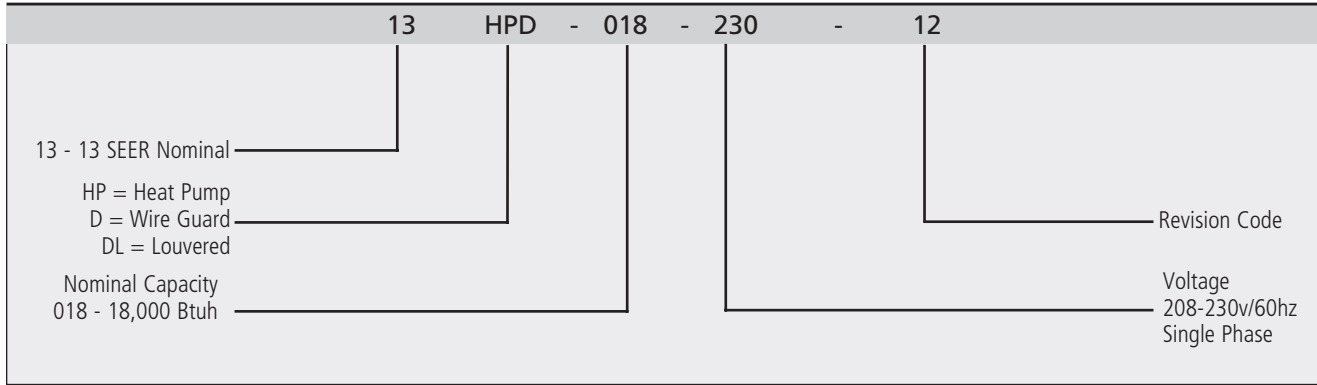
- Nitrogen charged for replacement of R22 components only
- High-quality condenser coil with copper tubing and enhanced louvered fin for maximum heat transfer capacity
- Top discharge directs hot air and sound away from living area and shrubbery
- All units run tested
- Available with louvered panel or wire guard coil protection
- Easy access to electrical panels, pre-wired for easy hook-up
- Bi-directional liquid line filter drier factory installed
- Discharge muffler for quiet operation
- Reliable, solid state time/temperature defrost control, with field selectable 30/60/90 minute intervals
- Defrost control is Quiet Shift™ capable
- Integrated control with LED diagnostics
- Short cycle protection factory installed
- All units UL and ULC approved

### WARRANTY

- 5 year limited warranty on compressor, 5 year limited warranty on all parts



### Model Number Guide



### Electrical and Physical Data

Model	Voltage/ Hz/ Phase	Voltage Range	Min. Circuit (Amps)	Max. Fuse (Amps)	Compressor		Fan Motor			Field Supplied R22 Charge (oz.)	Shipping Weight (lbs)	
					Rated Load (Amps)	Locked Rotor (Amps)	Full Load (Amps)	Rated HP	Nom. RPM		Wire Guard	Louvered
13HP*018	208-230/60/1	197-253	12.3	20	8.9	41	1.1	1/5	1075	102	130	141
13HP*024	208-230/60/1	197-253	14.0	20	10.3	56	1.1	1/5	1075	99	144	155
13HP*030	208-230/60/1	197-253	18.0	30	13.5	72.5	1.1	1/5	1075	132	162	174
13HP*036	208-230/60/1	197-253	19.4	30	14.7	83	1.1	1/5	1075	138	170	182
13HP*042	208-230/60/1	197-253	22.9	40	17	95	1.7	1/3	1075	166	200	207
13HP*048	208-230/60/1	197-253	25.7	45	19.2	129	1.7	1/3	1075	188	237	259
13HP*060	208-230/60/1	197-253	34.3	60	26	148	1.7	1/3	825	224	270	287

\* = D - Wire Guard or DL - Louvered

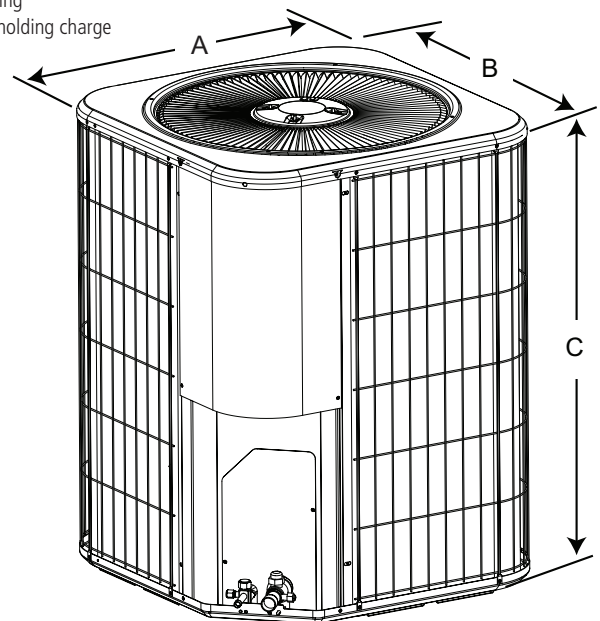
Note:  
Weights listed are unit weights with packaging  
Units are factory shipped with dry nitrogen holding charge

### Unit Dimensions & Sound Ratings

Model	Dimensions			Sound Ratings (dBa)
	A - width (in.)	B - depth (in.)	C - height (in.)	
13HPD018	24.25	24.25	33.00	76
13HPD024	24.25	24.25	33.00	76
13HPD030	24.25	24.25	29.00	76
13HPD036	24.25	24.25	33.00	76
13HPD042	28.25	28.25	33.00	80
13HPD048	28.25	28.25	37.00	80
13HPD060	32.25	32.25	37.00	80

\* = D - Wire Guard or DL - Louvered

Note: Dimensions listed are unit sizes w/o packaging



### Cooling Performance with Air Handlers

Outdoor Model	Indoor Model	Cooling				Heating				CFM	Refrigerant Connection				Refrig. Line Size		Indoor Expansion Device	
		SEER	EER	Rated Capacity BTUH	Sensible Capacity BTUH	HSPF	47		17		Outdoor		Indoor		Suction	Liquid		TXV
	Btuh						COP	Btuh	COP		Suction	Liquid	Suction	Liquid				
13HP*018	BCS2M18C****P+TXV	13.0	11.5	18,600	14,100	7.7	16,700	3.4	10,500	2.3	600	3/4	3/8	3/4	3/8	3/4	3/8	H2TXV01
13HP*024	BCS2M24C****P+TXV	13.0	11.5	24,600	18,700	7.7	22,000	3.4	13,800	2.3	800	3/4	3/8	3/4	3/8	3/4	3/8	H2TXV01
13HP*030	BCS2M30C****P+TXV	13.0	11.0	31,000	23,500	7.7	28,600	3.5	17,900	2.4	1000	3/4	3/8	3/4	3/8	3/4	3/8	H2TXV01
13HP*036	BCS2M36C****P+TXV	13.0	11.0	35,200	27,100	7.7	33,800	3.5	21,000	2.4	1200	7/8	3/8	3/4	3/8	7/8	3/8	H2TXV01
13HP*042	BCS2M42C****P+TXV	13.0	11.0	41,500	32,300	7.7	41,000	3.3	23,500	2.3	1400	7/8	3/8	7/8	3/8	7/8	3/8	H2TXV02
13HP*048	BCS2M48C****P+TXV	13.0	11.0	50,500	38,400	7.7	47,500	3.3	30,100	2.4	1600	7/8	3/8	7/8	3/8	7/8	3/8	H2TXV02
13HP*060	BCS2M60C****P+TXV	13.0	11.0	57,000	42,800	7.7	55,500	3.3	35,700	2.4	1800	1-1/8	3/8	7/8	3/8	1-1/8	3/8	H2TXV03

\* = D - Wire Guard or DL - Louvered

Note:

EPA rules prohibit system installations (condensing unit coupled with an air handler or evaporator coil).

### Accessories

Kit Number	Description	Used with
58M81	Blower Off Delay Kit	All 13HPD/DL's
45F08	Compressor Low Ambient Cut-off	All 13HPD/DL's
94J46	High Pressure Switch Kit	All 13HPD/DL's
47J27	Compressor Time-off Control	All 13HPD/DL's
93M05	Crank Case Heater	All 13HPD/DL's
10J42	Hard Start Kit 1-1/2, 2, 2-1/2 & 3-1/2 Tons	13HPD/DL 18, 24, 30, 36, & 42
81J69	Hard Start Kit 4 & 5 Tons	13HPD/DL 48 & 60
33M07	Mild Ambient Kit	All 13HPD/DL
27J00	Low Ambient Kit	All 13HPD/DL
84M23	Loss of Charge Kit	All 13HPD/DL
93G35	Freezestats (3/8" tubing)	All 13HPD/DL
50A93	Freezestats (5/8" tubing)	All 13HPD/DL
H2TX01	TXV Kit	13HPD/DL 18, 24 & 30
H2TX02	TXV Kit	13HPD/DL 36, 42 & 48
H2TX03	TXV Kit	13HPD/DL 60

All specifications and illustrations  
subject to change without notice  
and without incurring obligations.



(800) 448-5872  
[www.armstrongair.com](http://www.armstrongair.com)



All specifications and illustrations  
subject to change without notice  
and without incurring obligations.