

A801E

PRODUCT SPECIFICATIONS

SINGLE STAGE HIGH EFFICIENCY CONSTANT TORQUE GAS FURNACE

FORM NO. A801E-100 (10/2018)



CONFIGURATIONS

- Upflow / Horizontal
- Downflow

HEAT EXCHANGER DESIGN

- Aluminized steel crimped non-welded clamshell heat exchanger

BURNER

- Aluminized steel inshot burners for smooth ignition

CABINET DESIGN

- Compact 33" height
- Standardized widths for easy coil fit

AIR DELIVERY SYSTEM

- Multi-speed high efficiency (constant torque) blower motor
- Easily removable slide out blower design
- Enhanced cooling SEER ratings when applied with properly matched cooling equipment

CONTROLS

- Single stage gas valve
- Durable silicon nitride ignitor
- Self diagnostics saving last 10 fault codes regardless of power interruption
- Control features electronic air cleaner and humidifier terminals

VENTING

- Rotatable draft inducer for venting flexibility

INSTALLATION FEATURES

- Left or right utility connections
- Removable floor base (upflow / horizontal units) for bottom return air
- Zero step horizontal conversion

WARRANTY

10 year limited parts warranty / lifetime heat exchanger warranty available. See limited warranty document for details.

Note: Not For Sale in Canada

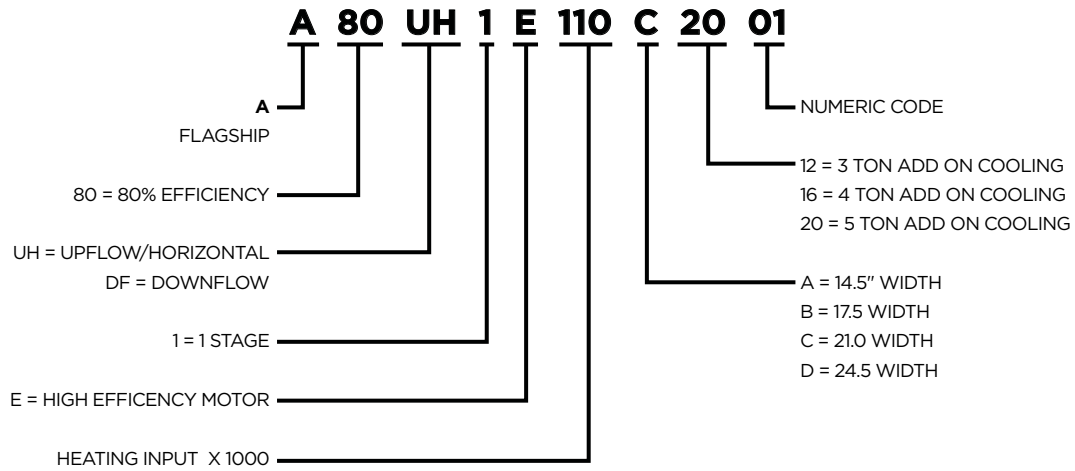
California Only

If installed in South Coast Air Quality Management District (SCAQMD) only: This furnace does not meet the SCAQMD Rule 1111 NOx emission limit (14 ng/l), and thus is subject to a mitigation fee of up to \$450. This furnace is not eligible for the Clean Air Furnace Rebate Program: www.CleanAirFurnaceRebate.com.

If installed in San Joaquin Valley Air Pollution Control District (SJVAPCD) only: This furnace does not meet the SJVAPCD Rule 4905 NOx emission limit (14 ng/l), and thus is subject to a mitigation fee of up to \$450.



MODEL NUMBER GUIDE



PHYSICAL AND ELECTRICAL DATA

	Model	Input (Btuh)	Output* (Btuh)	AFUE (ICS)	Nominal Cooling Capacity	Gas Inlet (in.)	Volts/Hz/Phase	Max. Time Delay Breaker or Fuse	Nominal F.L.A.	Trans. (V.A.)	Approx. Shipping Weight (lbs.)
UPFLOW/HORIZONTAL	A80UH1E045A12	44,000	35,200	80.0%	1-1/2 – 3	1/2	120-60-1	15	6.8	40	111
	A80UH1E070B12	66,000	52,800	80.0%	1-1/2 – 3	1/2	120-60-1	15	6.8	40	127
	A80UH1E090B16	88,000	70,400	80.0%	2-1/2 – 4	1/2	120-60-1	15	8.4	40	142
	A80UH1E090C20	88,000	70,400	80.0%	3 – 5	1/2	120-60-1	15	10.9	40	152
	A80UH1E110C20	110,000	88,000	80.0%	4 – 5	1/2	120-60-1	15	10.9	40	160
	A80UH1E135D20	132,000	105,600	80.0%	4 – 5	1/2	120-60-1	15	10.9	40	178
DOWNFLOW	A80DF1E045A12	44,000	35,200	80.0%	2 – 3	1/2	120-60-1	15	6.8	40	113
	A80DF1E070B12	66,000	52,800	80.0%	2 – 3	1/2	120-60-1	15	6.8	40	128
	A80DF1E090B16	88,000	70,400	80.0%	3 – 4	1/2	120-60-1	15	8.4	40	140
	A80DF1E110C20	110,000	88,000	80.0%	4 – 5	1/2	120-60-1	15	10.9	40	160

Note: For vent length and clearances to combustibles, please reference installation instructions.

BLOWER PERFORMANCE DATA

	Model	Motor Size (hp)	Blower Size	Temp. Rise (°F)	Blower Speed	CFM Heating CFM @ .10" - .80" w.c.						
						.20	.30	.40	.50	.60	.70	.80
UPFLOW / HORIZONTAL	A80UHE045A12	1/2	10 x 8	15 - 45	High	1320	1290	1265	1230	1190	1165	1130
					Med/High	1080	1055	1010	990	945	915	880
					Med	900	875	825	790	750	705	670
					Med/Low	805	750	710	660	630	570	535
					Low	700	640	595	535	500	435	380
	A80UHE070B12	1/2	10 x 10	40 - 70	High	1355	1330	1290	1245	1225	1190	1160
					Med/High	1225	1190	1155	1115	1045	1000	925
					Med	1110	1060	1015	980	920	855	790
					Med/Low	1080	1035	970	930	865	790	735
					Low	885	825	770	695	625	540	445
	A80UHE090B16	3/4	10 x 10	35 - 65	High	1730	1690	1645	1615	1590	1545	N/A
					Med/High	1505	1460	1435	1395	1350	1300	1270
					Med	1380	1345	1310	1265	1210	1175	1140
					Med/Low	1310	1275	1240	1180	1150	1095	1040
					Low	1110	1065	1010	955	915	860	820
	A80UHE090C20	1	11-1/2 x 10	30 - 60	High	2150	2125	2090	2060	2020	1980	1935
					Med/High	1865	1835	1800	1760	1725	1680	1635
					Med	1655	1635	1585	1545	1515	1465	1420
					Med/Low	1490	1450	1405	1370	1320	1265	1225
					Low	1340	1285	1235	1200	1145	1105	1055
A80UHE110C20	1	11-1/2 x 10	35 - 65	High	2135	2090	2050	2025	2010	1965	1905	
				Med/High	1865	1830	1785	1740	1710	1670	1635	
				Med	1630	1595	1550	1500	1470	1420	1380	
				Med/Low	1470	1440	1385	1340	1305	1255	1215	
				Low	1280	1235	1175	1130	1080	1015	975	
A80UHE135D20	1	11 x 11	30 - 60	High	2390	2360	2285	2240	2225	2160	2105	
				Med/High	2175	2140	2125	2060	2015	1955	1925	
				Med	1935	1895	1850	1815	1785	1755	1715	
				Med/Low	1735	1720	1660	1610	1535	1500	1435	
				Low	1550	1485	1455	1415	1330	1265	1215	
DOWNFLOW	A80DFIE045A12	1/2	10 x 8	15 - 45	High	1375	1335	1320	1275	1245	1215	1175
					Med/High	1145	1120	1075	1045	1000	970	925
					Med	950	915	870	835	785	745	695
					Med/Low	840	790	745	715	655	605	555
					Low	725	665	625	565	520	455	400
	A80DFIE070B12	1/2	10 x 10	30 - 60	High	1400	1360	1310	1280	1250	1220	1165
					Med/High	1230	1205	1155	1110	1060	1000	935
					Med	1125	1085	1050	985	935	865	795
					Med/Low	1110	1055	1000	950	865	815	750
					Low	900	845	790	705	645	590	480
	A80DFIE090C16	3/4	10 x 10	30 - 60	High	1695	1660	1615	1570	1545	N/A	N/A
					Med/High	1470	1425	1395	1360	1295	1265	1215
					Med	1340	1290	1250	1210	1165	1120	1080
					Med/Low	1280	1225	1185	1145	1085	1040	1000
					Low	1105	1040	1005	945	865	810	755
	A80DFIE110C20	1	11-1/2 x 10	30 - 60	High	2325	2280	2235	2165	2125	2090	2035
					Med/High	2010	1940	1895	1845	1800	1755	1700
					Med	1760	1705	1635	1595	1545	1510	1460
					Med/Low	1570	1500	1440	1380	1320	1285	1255
					Low	1375	1320	1265	1200	1170	1100	1030

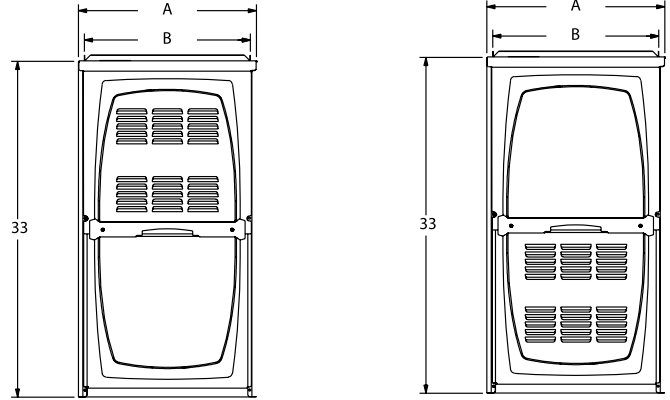
DIMENSIONS

	Model	A	B	C	D
Upflow/Horizontal	A80UH1E045A12	14-1/2	13-3/8	13	4-3/4
	A80UH1E070B12	17-1/2	16-3/8	16	6-1/4
	A80UH1E090B16	17-1/2	16-3/8	16	6-1/4
	A80UH1E090C20	21	19-3/8	19-1/2	8
	A80UH1E110C20	21	19-3/8	19-1/2	8
	A80UH1E135D20	24-1/2	23-3/8	23	9-3/4
Downflow	A80DF1E045A12	14-1/2	13-3/8	13	4-3/4
	A80DF1E070B12	17-1/2	16-3/8	16	6-1/4
	A80DF1E090B16	17-1/2	16-3/8	16	6-1/4
	A80DF1E110C20	21	19-7/8	19-1/2	8

Front View

Upflow / Horizontal

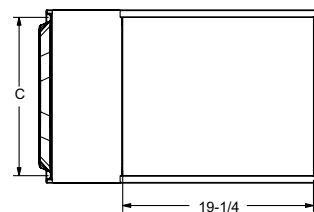
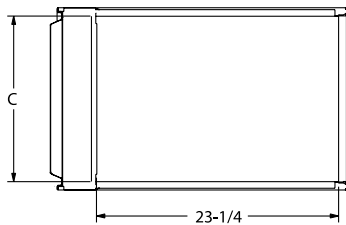
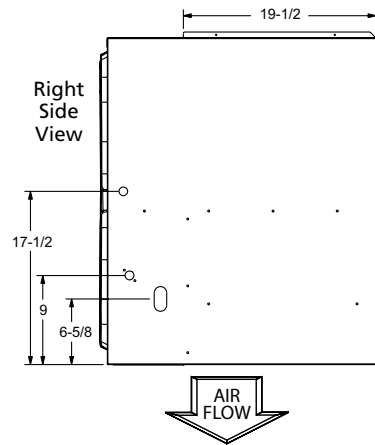
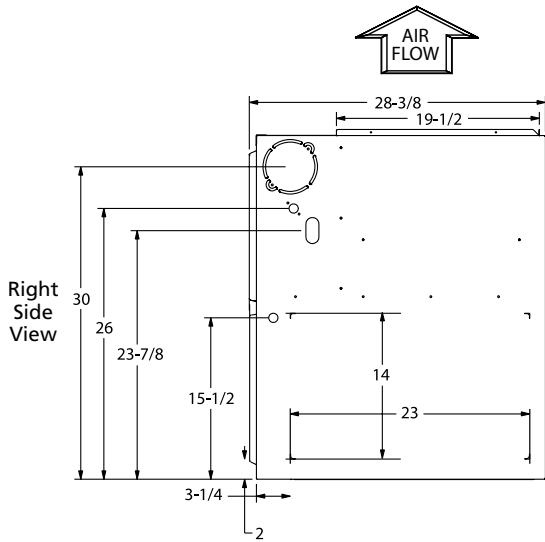
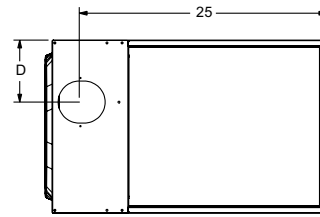
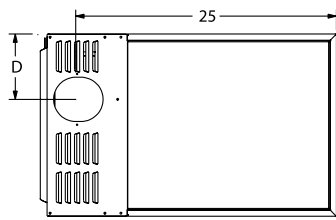
Downflow



Top View

Upflow / Horizontal

Downflow



Bottom View

Bottom View

ACCESSORY LIST

CATALOG NUMBER	DESCRIPTION
External Filter Rack kits	
1.841018	1 Pack (16x25)
1.841039	10 Pack (16x25)
Natural to LP Kits	
11K50	1-Stage - 80
11K45	High Altitude (>7500')
Return Air Base	
68W61	14.5", A Width
68W62	17.5", B Width
68W63	21.0", C Width
68W64	24.5", D Width
Downflow Combustible Flooring Base	
11M59	14.5", A Width
11M60	17.5", B Width
11M61	21.0", C Width
Night Service Kits	
86W57	Single Stage
Horizontal Suspension Kits	
51W10	80 & 90% Kit
2-Stage Compressor Relay Kit	
85W66	Blower Relay Kit
Twinning kit	
16W72	Constant Torque Gas Furnace Twinning Kit

Note: For vent length and clearances to combustibles, please reference installation instructions.



1-800-448-5872

All specifications and illustrations subject to change without notice and without incurring obligations.