

# A931E

## PRODUCT SPECIFICATIONS

## SINGLE STAGE HIGH EFFICIENCY CONSTANT TORQUE GAS FURNACE

FORM NO. A931E-100 (02/2019)



### CONFIGURATIONS

- Upflow / Horizontal
- Downflow

### HEAT EXCHANGER DESIGN

- Aluminized steel primary heat exchanger with crimped no weld clamshell design
- AL 29-4C Stainless steel secondary heat exchanger

### BURNER

- 11k BTUH burners and sealed burner box provide soft ignition and quiet operation

### CABINET DESIGN

- Compact 33" height
- Standardized widths for easy coil fit

### AIR DELIVERY SYSTEM

- Multi-speed high efficiency (constant torque) blower motor
- Easily removable slide out blower design

### CONTROLS

- Single stage gas valve
- Durable silicon nitride ignitor
- Self diagnostics save last 10 fault codes regardless of power interruption
- Electronic air cleaner and humidifier terminals

### VENTING

- Certified for direct vent and indirect vent (1 and 2 pipe applications)

### INSTALLATION FEATURES

- Left or right utility connections
- Removable floor base (upflow / horizontal units) for bottom return air
- Zero step horizontal conversion

### WARRANTY

10 year limited parts warranty / lifetime heat exchanger warranty available. See limited warranty document for details.

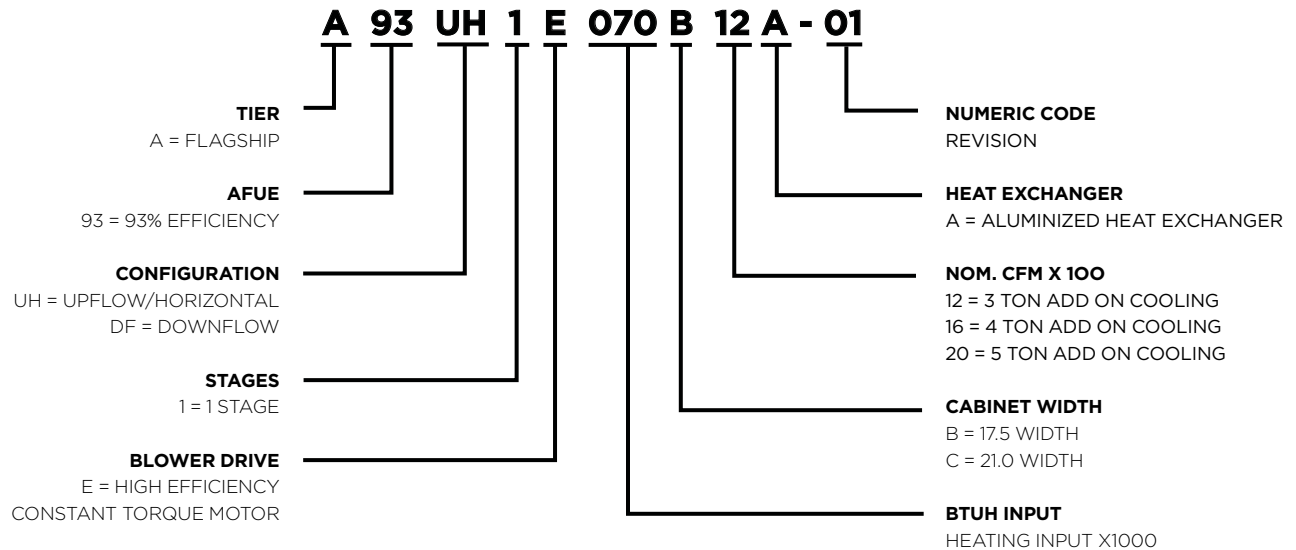
#### *California Only*

*If installed in South Coast Air Quality Management District (SCAQMD) only: This furnace does not meet the SCAQMD Rule 1111 NOx emission limit (14 ng/J), and thus is subject to a mitigation fee of up to \$450. This furnace is not eligible for the Clean Air Furnace Rebate Program: [www.CleanAirFurnaceRebate.com](http://www.CleanAirFurnaceRebate.com).*

*If installed in San Joaquin Valley Air Pollution Control District (SJVAPCD) only: This furnace does not meet the SJVAPCD Rule 4905 NOx emission limit (14 ng/J), and thus is subject to a mitigation fee of up to \$450.*



**MODEL NUMBER GUIDE**



**PHYSICAL AND ELECTRICAL DATA**

	Model	Input (Btuh)	Output (Btuh)	AFUE (ICS)	Nominal Cooling Capacity	Gas Inlet (in.)	Volts/Hz/Phase	Max Time Delay Breaker or Fuse	Nominal F.L.A.	Trans. (V.A.)	Approx. Shipping Weight (lbs.)
Upflow	A93UH1E030B12A	30000	29000	93.0%	1.5 - 3	1/2	120 - 60 - 1	15	6.8	40	129
	A93UH1E045B12A	44000	42000	93.0%	1.5 - 3	1/2	120 - 60 - 1	15	6.8	40	129
	A93UH1E070B12A	66000	63000	93.0%	1.5 - 3	1/2	120 - 60 - 1	15	6.8	40	133
	A93UH1E090C12A	88000	84000	93.0%	1.5 - 3	1/2	120 - 60 - 1	15	6.8	40	147
	A93UH1E090C16A	88000	84000	93.0%	2.5 - 4	1/2	120 - 60 - 1	15	8.4	40	151
	A93UH1E110C16A	110000	104000	93.0%	2.5 - 4	1/2	120 - 60 - 1	15	8.4	40	163
	A93UH1E110C20A	110000	105000	93.0%	3 - 5	1/2	120 - 60 - 1	15	10.9	40	169
Downflow	A93DF1E045B12A	44000	42000	93.0%	1.5 - 3	1/2	120 - 60 - 1	15	6.8	40	131
	A93DF1E070B12A	66000	63000	93.0%	1.5 - 3	1/2	120 - 60 - 1	15	6.8	40	135
	A93DF1E090C16A	88000	84000	93.0%	2.5 - 4	1/2	120 - 60 - 1	15	8.4	40	153

*Note: For vent length and clearances to combustibles, please reference installation instructions.*

**BLOWER PERFORMANCE DATA**

	Model	Motor size (hp)	Blower size	Temp. rise (°F)	Blower speed	Heating cfm @ .10" - .80" w.c.							
						0.10	0.20	0.30	0.40	0.50	0.60	0.70	0.80
Upflow/Horizontal	A93UH1E030B12A	1/2	10 x 8	25 - 55	High	1400	1360	1325	1300	1265	1235	1200	1160
					Med/High	1130	1085	1055	1020	990	945	910	885
					Med	955	905	865	815	785	735	710	660
					Med/Low	735	680	625	570	515	475	425	355
					Low	635	515	445	380	310	265	215	175
	A93UH1E045B12A	1/2	10 x 8	25 - 55	High	1390	1355	1330	1295	1265	1240	1210	1160
					Med/High	1270	1230	1205	1180	1140	1100	1065	1030
					Med	1135	1100	1060	1025	995	955	920	880
					Med/Low	885	850	795	755	720	670	615	580
					Low	735	680	625	570	515	475	425	355
	A93UH1E070B12A	1/2	10 x 8	40 - 70	High	1395	1365	1340	1305	1270	1250	1210	1185
					Med/High	1270	1245	1215	1180	1145	1110	1080	1045
					Med	1145	1100	1080	1040	1005	970	930	885
					Med/Low	910	865	815	760	720	685	635	600
					Low	705	655	600	550	505	455	405	355
	A93UH1E090C12A	1/2	10 x 8	40 - 70	High	1395	1365	1340	1305	1270	1250	1210	1185
					Med/High	1270	1245	1215	1180	1145	1110	1080	1045
					Med	1145	1100	1080	1040	1005	970	930	885
					Med/Low	910	865	815	760	720	685	635	600
					Low	705	655	600	550	505	455	405	355
A93UH1E090C12A	1/2	10 x 8	50 - 80	High	1375	1340	1310	1275	1240	1210	1170	1135	
				Med/High	1315	1285	1260	1225	1190	1160	1130	1105	
				Med	1125	1090	1055	1015	965	920	885	855	
				Med/Low	885	840	780	730	675	620	580	535	
				Low	730	685	645	590	535	495	455	405	
A93UH1E090C16A	3/4	10 x 10	45 - 75	High	1675	1655	1615	1595	1560	1525	1490	1445	
				Med/High	1475	1460	1410	1365	1335	1295	1260	1230	
				Med	1365	1315	1290	1245	1200	1160	1105	1085	
				Med/Low	1275	1230	1195	1155	1105	1060	1015	980	
				Low	1160	1110	1065	1010	965	915	875	830	
A93UH1E110C16A	3/4	10 x 10	50 - 80	High	1715	1680	1640	1615	1580	1540	1515	1470	
				Med/High	1495	1470	1425	1395	1345	1315	1285	1230	
				Med	1380	1355	1300	1260	1225	1180	1135	1095	
				Med/Low	1295	1255	1220	1170	1130	1080	1035	995	
				Low	1175	1135	1085	1025	975	935	895	850	
A93UH1E110C20A	1	11 1/2 x 10	45 - 75	High	2120	2085	2040	2005	1965	1935	1885	1855	
				Med/High	1880	1830	1795	1760	1710	1680	1635	1600	
				Med	1715	1665	1630	1585	1540	1510	1485	1440	
				Med/Low	1605	1560	1515	1470	1425	1390	1345	1305	
				Low	1435	1360	1325	1270	1230	1180	1140	1085	

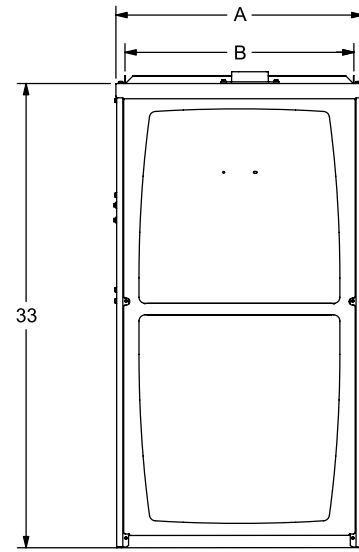
**BLOWER PERFORMANCE DATA**

	Model	Motor size (hp)	Blower size	Temp. Rise (°F)	Blower speed	Heating cfm @ .10" - .80" w.c.							
						0.10	0.20	0.30	0.40	0.50	0.60	0.70	0.80
Downflow	A93DF1E045B12A	1/2	10 x 8	25 - 55	High	1395	1365	1330	1305	1275	1245	NA	NA
					Med/High	1270	1245	1215	1180	1140	1110	1080	1030
					Med	1145	1105	1070	1025	980	950	910	870
					Med/Low	845	795	740	700	660	615	585	545
					Low	695	640	575	530	485	445	390	335
	A93DF1E070B12A	1/2	10 x 8	40 - 70	High	1380	1345	1325	1295	1260	1235	1185	NA
					Med/High	1265	1240	1215	1175	1135	1105	1080	1040
					Med	1140	1090	1060	1025	985	955	910	865
					Med/Low	860	810	770	710	670	620	585	540
					Low	700	645	590	530	490	440	395	340
	A93DF1E090C16A	3/4	10 x 10	45 - 75	High	1695	1680	1640	1605	1575	1550	1490	NA
					Med/High	1495	1445	1410	1385	1355	1310	1265	1240
					Med	1365	1315	1285	1245	1215	1165	1125	1075
					Med/Low	1265	1240	1200	1160	1115	1085	1030	995
					Low	1160	1110	1070	1020	975	925	885	825

**DIMENSIONS (IN.)**

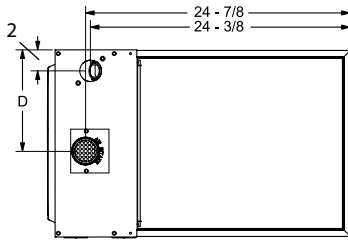
	Model	A	B	C	D
<b>UPFLOW/HORIZONTAL</b>	A93UH1E030B12A	17-1/2	16-3/8	16	9-5/16
	A93UH1E045B12A	17-1/2	16-3/8	16	9-5/16
	A93UH1E070B12A	17-1/2	16-3/8	16	9-5/16
	A93UH1E090C12A	21	19-7/8	19-1/2	11-5/16
	A93UH1E090C16A	21	19-7/8	19-1/2	11-5/16
	A93UH1E110C16A	21	19-7/8	19-1/2	11-5/16
	A93UH1E110C20A	21	19-7/8	19-1/2	11-5/16
<b>DOWNFLOW</b>	A93DF1E045B12A	17-1/2	16-3/8	16	15-1/2
	A93DF1E070B12A	17-1/2	16-3/8	16	15-1/2
	A93DF1E090C16A	21	19-7/8	19-1/2	19

**Front View**

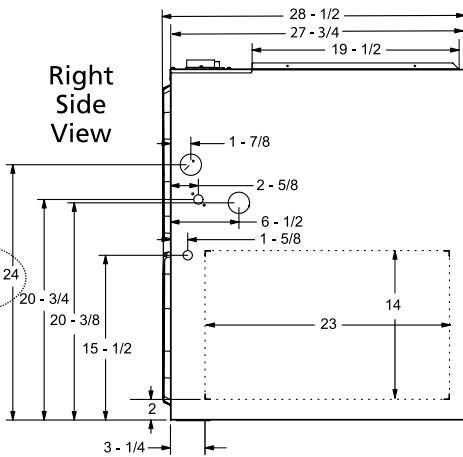


**Upflow / Horizontal**

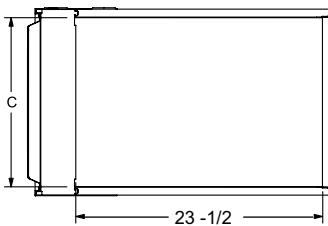
**Top View**



**Right Side View**

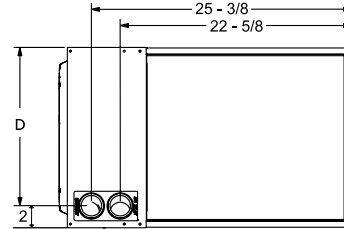


**Bottom View**

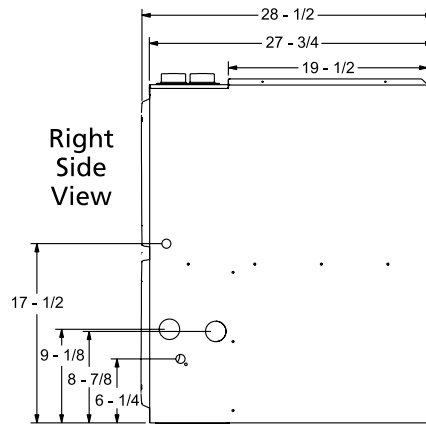


**Downflow**

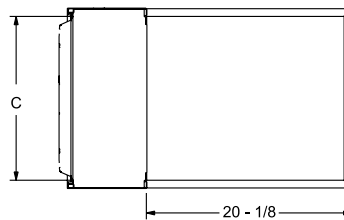
**Top View**



**Right Side View**



**Bottom View**



**ACCESSORY LIST**

CATALOG NUMBER	DESCRIPTION
External Filter Rack kits	
1.841018	1 pack (16 x 25)
1.841039	10 pack (16 x 25)
Natural to LP kits	
11K50	1-Stage - 90%
11K45	High Altitude (>7500')
17H62	1-Stage - 90% - for 030 Capacity ONLY
17H90	High Altitude (>7500') - 030 Capacity Only
Return Air Base	
68W62	17.5" B Width
68W63	21.0" C Width
Downflow Combustible Flooring Base	
11M60	17.5" B Width
11M61	21.0" C Width
Night Service Kits	
84W48	Single Stage
Horizontal Suspension Kit	
51W10	80% & 90% Kit
Flush Mount Termination (90% Furnaces only) US Only	
51W11	2" & 3" Vent Version
Concentric Vent Kit (90% Furnaces only) US Only	
71M80	1-1/2" Vent Version
69M29	2" Vent Version
60L46	3" Vent Version
2-Stage Compressor Kit	
85W66	Blower Relay Kit
Twinning Kit	
16W72	Constant Torque Gas Furnace Twinning Kit

*Note: For vent length and clearances to combustibles, please reference installation instructions.*



1-800-448-5872

All specifications and illustrations subject to change without notice and without incurring obligations.