

4AC16L

PRODUCT SPECIFICATIONS

SPLIT SYSTEM AIR CONDITIONER
UP TO 16 SEER

FORM NO. 4AC16L-100 (09/2019)



COMPRESSOR

- High-efficiency scroll compressor
- R410A refrigerant
- Internally protected against high temperature motor overload conditions
- Heavy-duty compressor sound blanket for quiet operation (optional accessory)

CABINET

- Full metal louvered construction to protect the coil/hail protection
- Individual louver panels; 4 screws to remove for ease of coil cleaning and service
- Corner-mounted controls for easy service
- Baked polyester paint finished over galvanized steel for maximum durability
- 45-degree offset valves for easy service

COILS

- Omniguard™ total corrosion protection technology designed coil
- Enhanced tube-and-fin coil design featuring MHT™ Technology
- Lanced fins for maximum heat transfer
- Every coil factory tested for leakproof construction
- Raised coil prevents debris from impeding airflow

COMPONENTS

- Factory installed high pressure switch
- Thread-on pressure switches with Schrader core for simple, quick replacement
- Filter drier shipped loose for installation flexibility
- Fan orifice for smoother airflow and sound level reduction
- Charged for 15 feet of line set

WARRANTY

10 year limited warranty on compressor
10 year limited warranty on all parts, extended warranty available*

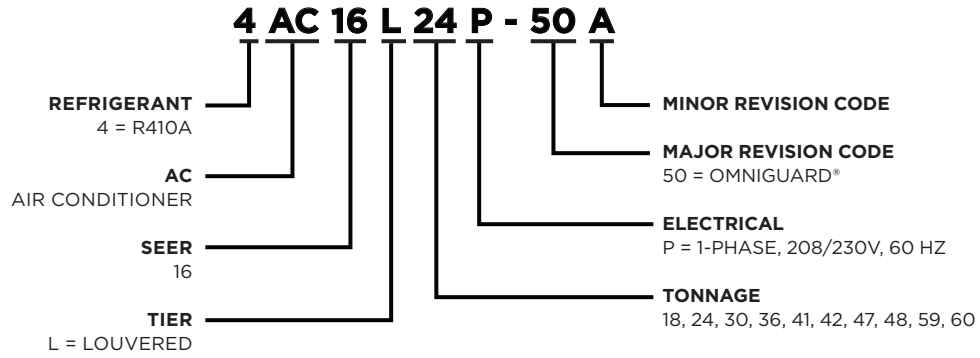
**Warranty provides for a total of 10 years of limited warranty coverage (Standard 5-year limited parts warranty plus an additional 5-year limited extended parts warranty). Warranty must be registered online within 60 days of installation to qualify for 10-year coverage. Unregistered equipment defaults to 5-year coverage. See full warranty at www.alliedair.com for terms, conditions and exclusions.*

NOTE:

For the latest ratings, please see www.alliedratings.com or www.AHRIdirectory.org



MODEL NUMBER GUIDE

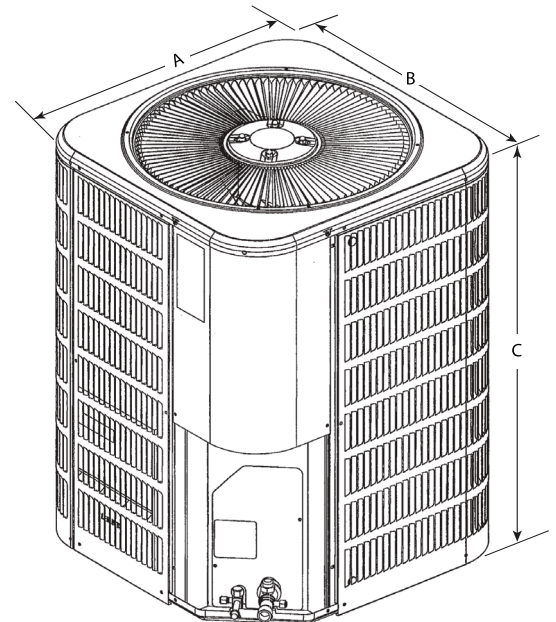


PHYSICAL AND ELECTRICAL DATA

Model	Voltage/Hz/Phase	Voltage Range	Min. Circuit Amp.	Max. Over Current Device (amps)	Compressor		Outdoor Fan Motor		
					Rated Load (amps)	Locked Rotor (amps)	Rated Load (amps)	Rated HP	Nom. RPM
4AC16L18P-50	208-230/60/1	197-253	11.9	20	9	48	0.7	1/10	1075
4AC16L24P-50	208-230/60/1	197-253	14.6	25	10.9	59	1	1/6	825
4AC16L30P-50	208-230/60/1	197-253	17	25	12.8	68	1	1/6	825
4AC16L36P-50	208-230/60/1	197-253	18	30	13.6	79	1	1/6	825
4AC16L41P-50	208-230/60/1	197-253	19.3	30	14.7	75	1	1/6	825
4AC16L42P-50	208-230/60/1	197-253	23.4	40	17.9	112	1	1/6	825
4AC16L47P-50	208-230/60/1	197-253	21.9	35	16.1	106	1.8	1/3	825
4AC16L48P-50	208-230/60/1	197-253	24.2	40	18	117	1.7	1/4	825
4AC16L59P-50	208-230/60/1	197-253	28.2	45	20.8	127	2.8	1/3	V Spd
4AC16L60P-50	208-230/60/1	197-253	29.6	50	22.2	128	1.8	1/3	825

UNIT DIMENSIONS (IN.)

Model	Dimensions (inch)			Shipping Weight (Lbs.)
	A - Width	B - Depth	C - Height	
4AC16L18P-50	24.25	24.25	29	134
4AC16L24P-50	28.25	28.25	37	154
4AC16L30P-50	28.25	28.25	37	169
4AC16L36P-50	28.25	28.25	37	181
4AC16L41P-50	28.25	28.25	37	192
4AC16L42P-50	28.25	28.25	37	211
4AC16L47P-50	32.25	32.25	43	231
4AC16L48P-50	28.25	28.25	37	218
4AC16L59P-50	32.25	32.25	43	253
4AC16L60P-50	32.25	32.25	43	226



Note:
Weights listed are unit weights with packaging
Dimensions listed are unit sizes w/o packaging

SOUND RATINGS

Model	Sound Power ¹	Estimated Sound Pressure (dBA) ²		
		Approximate Distance ³		
		3.3 Feet (1 Meter)	6.6 Feet (2 Meters)	9.8 Feet (3 Meters)
4AC16L18P-50	73	65	59	55
4AC16L24P-50	76	68	62	58
4AC16L30P-50	76	68	62	58
4AC16L36P-50	76	68	62	58
4AC16L41P-50	74	66	60	56
4AC16L42P-50	76	68	62	58
4AC16L47P-50	80	72	66	62
4AC16L48P-50	78	70	64	60
4AC16L59P-50	77	69	63	59
4AC16L60P-50	80	72	66	62

¹ Rated in accordance with AHRI standard 270 (2015). AHRI Standard 270 establishes a method of rating outdoor unitary equipment in terms of Sound Power.

² Rated in accordance with AHRI standard 275 (2010). AHRI Standard 275 provides the calculations for estimating the A-Weighted Sound Pressure at a given distance from the equipment. That is a more useful number because that is what humans will hear.

³ Based only on distance factor; other factors may change this value such as:
 - Unit location (reflective surfaces adjacent to the unit)
 - Barrier shielding sources
 - Sound path/elevation
 - Outside noise sources

ACCESSORIES

System Accessory	Where Used	Kit Number	Purpose
Liquid Line solenoid	All models	60M52	Prevents liquid migration to the compressor especially for high liquid riser applications
Low ambient (cooling operation)	All models	34M72	Enables cooling demand down to 30 °F. Will require freeze stat, CC heater and TXV
Compressor Short Cycle protector	All models	47J27	Delays compressor start 5-7 minutes to prevent short cycling
Hard Start	18	10J42	Scroll compressors usually do not require hard start; maybe needed for utility brown-out or low voltage areas
Hard Start	24 thru 60	88M91	
Crankcase Heater	18, 24, 30, 36	93M04	Prevents liquid migration to compressor in cold weather
Crankcase Heater	41, 42	93M05	
Crankcase Heater	47, 48, 59, 60	Factory Installed	
Sound Cover	18, 24, 30, 36, 41	14W00	Lowers compressor sound level
Sound Cover	42, 47, 48, 59, 60	14W01	
Loss of Charge Kit	All models	84M23	Protects the compressor if refrigerant charge is too low
Additional System Accessories (indoor section)			
TXV Kit	18, 24, 30	H4TXV01	TXVs provide superior refrigerant flow control, comfort and efficiency compared to pistons
	36, 41, 42, 47, 48	H4TXV02	
	59, 60	H4TXV03	
Outdoor Thermostat - electric heat	All models	10Z23	Prevents electric heat operation above specific ambient conditions
Outdoor Thermostat - Mounting box	All models	31461	Mounting box for outdoor thermostat
Freeze stat	All models	93G35	Protects the compressor at low suction pressure conditions
Over flow switch	All models	11U75	Turn the system off, if condensate water overflows due to clogged drain pipes
Blower time delay	All models	58M81	Improves system efficiency and comfort
Single point power supply	All models	21H39	Provide single power source in one junction box
Auxiliary blower relay	All models	85W66	Maybe required to select multiple indoor blower speeds

REFRIGERATION DATA

Model	Refrig. Charge (oz.) *	Piston Size	TXV	Refrigerant Line Size		Outdoor Unit Connection		Indoor Unit Connection	
				Suction	Liquid	Suction	Liquid	Suction	Liquid
4AC16L18P-50	73	0.052	H4TXV01	3/4	3/8	3/4	3/8	3/4	3/8
4AC16L24P-50	73	0.060	H4TXV01	3/4	3/8	3/4	3/8	3/4	3/8
4AC16L30P-50	88	0.067	H4TXV01	3/4	3/8	3/4	3/8	3/4	3/8
4AC16L36P-50	113	0.072	H4TXV02	7/8	3/8	7/8	3/8	7/8	3/8
4AC16L41P-50	144	†	H4TXV02	7/8	3/8	7/8	3/8	7/8	3/8
4AC16L42P-50	140	0.081	H4TXV02	7/8	3/8	7/8	3/8	7/8	3/8
4AC16L47P-50	176	†	H4TXV02	7/8	3/8	7/8	3/8	7/8	3/8
4AC16L48P-50	156	0.083	H4TXV02	7/8	3/8	7/8	3/8	7/8	3/8
4AC16L59P-50	189	†	H4TXV03	1 1/8	3/8	7/8 **	3/8	7/8	3/8
4AC16L60P-50	192	0.097	H4TXV03	1 1/8	3/8	7/8 **	3/8	7/8	3/8

*Factory charged for 15 feet of line set

** Adapter shipped with unit

† TXV only

COOLING PERFORMANCE WITH DTC¹

Outdoor Model	Indoor Model	Capacity (BTUH)	EER	SEER
4AC16L18P-50	EAC4X24B	18,000	12.20	14.00
4AC16L24P-50	EAC4X24B	24,000	12.20	14.25
4AC16L30P-50	EAC4X30B	28,400	12.20	14.00
4AC16L36P-50	EAC4X36B	34,000	12.20	14.25
4AC16L41P-50	EAC4X49C	38,000	12.20	14.00
4AC16L42P-50	EAC4X49C	40,000	12.20	14.00
4AC16L47P-50	EAC4X60C	46,000	12.20	14.00
4AC16L48P-50	EAC4X60C	46,000	12.20	14.00
4AC16L59P-50	EAC4X60C	56,000	11.70	14.00
4AC16L60P-50	EAC4X60C	58,000	11.70	14.00

¹ DTC = Designated Tested Combination

NOTE:

For the latest AHRI system matches please visit www.alliedratings.com or www.AHRIdirectory.org

COOLING PERFORMANCE EXTENDED RATINGS

Note: Shaded area is AHRI Rating Conditions

Indoor Wet Bulb Temperature		Outdoor Air Temperature Entering Outdoor Coil																													
		85° F (29.4° C)						95° F (35° C)						105° F (40.6° C)						115° F (46.1° C)						125° F (51.7° C)					
		Sensible To Total Ratio (S/T)			Comp. Motor Watts Input	Total Cooling Capacity kBTuh	Sensible To Total Ratio (S/T)			Comp. Motor Watts Input	Total Cooling Capacity kBTuh	Sensible To Total Ratio (S/T)			Comp. Motor Watts Input	Total Cooling Capacity kBTuh	Sensible To Total Ratio (S/T)			Comp. Motor Watts Input	Total Cooling Capacity kBTuh	Sensible To Total Ratio (S/T)			Comp. Motor Watts Input	Total Cooling Capacity kBTuh					
		75°F / 23.9°C	80°F / 26.7°C	85°F / 29.4°C			75°F / 23.9°C	80°F / 26.7°C	85°F / 29.4°C			75°F / 23.9°C	80°F / 26.7°C	85°F / 29.4°C			75°F / 23.9°C	80°F / 26.7°C	85°F / 29.4°C			75°F / 23.9°C	80°F / 26.7°C	85°F / 29.4°C			75°F / 23.9°C	80°F / 26.7°C	85°F / 29.4°C		
Total Air Volume	Total Cooling Capacity kBTuh	Comp. Motor Watts Input	Sensible To Total Ratio (S/T)	Total Cooling Capacity kBTuh	Comp. Motor Watts Input	Sensible To Total Ratio (S/T)	Total Cooling Capacity kBTuh	Comp. Motor Watts Input	Sensible To Total Ratio (S/T)	Total Cooling Capacity kBTuh	Comp. Motor Watts Input	Sensible To Total Ratio (S/T)	Total Cooling Capacity kBTuh	Comp. Motor Watts Input	Sensible To Total Ratio (S/T)	Total Cooling Capacity kBTuh	Comp. Motor Watts Input	Sensible To Total Ratio (S/T)													
4ACT16L18P-50 - EAC4X24A																															
59°F (15°C)	525	18.3	1050	.93	1.00	.95	1.00	1.00	1.00	1.00	.98	1.00	1.00	1.00	1.00	1.00	1.00	1.00	1.00												
	660	19.7	1050	1.00	1.00	1.00	1.00	1.00	1.00	1.00	1.00	1.00	1.00	1.00	1.00	1.00	1.00	1.00	1.00												
63°F (17.2°C)	675	19.9	1050	1.00	1.00	1.00	1.00	1.00	1.00	1.00	.94	1.00	1.00	1.00	1.00	1.00	1.00	1.00	1.00												
	525	19.0	1050	.76	.89	.77	.92	1.00	1.00	1.00	.79	.94	1.00	1.00	1.00	1.00	1.00	.84	1.00												
67°F (19.4°C)	660	20.0	1040	.81	.97	.83	.99	1.00	1.00	1.00	.86	1.00	1.00	1.00	1.00	1.00	1.00	1.00	1.00												
	675	20.0	1040	.82	.98	.84	1.00	1.00	1.00	1.00	.86	1.00	1.00	1.00	1.00	1.00	1.00	.92	1.00												
71°F (21.7°C)	525	20.0	1040	.61	.73	.61	.75	.88	.96	.81	.65	.81	.75	.88	.91	.64	.79	.94	.66	.82											
	660	21.0	1040	.64	.79	.65	.81	.96	.81	.65	.81	.75	.88	.91	.64	.79	.94	.66	.82												
71°F (21.7°C)	675	21.0	1040	.65	.80	.66	.82	.97	.81	.66	.82	.67	.84	.99	.69	.86	1.00	.86	.82												
	525	21.2	1040	.47	.59	.47	.60	.72	.72	.47	.60	.48	.61	.74	.48	.63	.77	.49	.64												
71°F (21.7°C)	660	22.2	1030	.49	.63	.49	.64	.79	.79	.49	.64	.50	.66	.81	.51	.67	.83	.52	.69												
	675	22.2	1030	.49	.63	.49	.64	.79	.79	.49	.64	.50	.66	.81	.51	.67	.83	.52	.69												
4ACT16L24P-50 - EAC4X24B																															
59°F (15°C)	700	23.4	1360	.93	1.00	.96	1.00	1.00	1.00	1.00	.98	1.00	1.00	1.00	1.00	1.00	1.00	1.00	1.00												
	800	24.6	1340	.97	1.00	.99	1.00	1.00	1.00	1.00	1.00	1.00	1.00	1.00	1.00	1.00	1.00	1.00	1.00												
63°F (17.2°C)	900	25.4	1330	1.00	1.00	1.00	1.00	1.00	1.00	1.00	1.00	1.00	1.00	1.00	1.00	1.00	1.00	1.00	1.00												
	700	24.4	1350	.76	.90	.78	.92	1.00	1.00	1.00	.80	.95	1.00	1.00	1.00	1.00	1.00	.85	1.00												
67°F (19.4°C)	800	25.2	1340	.79	.94	.81	.96	1.00	1.00	1.00	.83	.99	1.00	1.00	1.00	1.00	1.00	.89	1.00												
	900	25.8	1330	.82	.98	.84	1.00	1.00	1.00	1.00	.86	1.00	1.00	1.00	1.00	1.00	1.00	.93	1.00												
71°F (21.7°C)	700	26.0	1330	.60	.73	.62	.75	.88	.88	.62	.75	.88	.77	.91	.64	.79	.94	.66	.82												
	800	26.6	1320	.63	.77	.63	.78	.93	.93	.63	.78	.91	.81	.95	.67	.83	.99	.68	.86												
71°F (21.7°C)	900	27.2	1310	.64	.80	.66	.81	.97	.97	.66	.81	.84	.84	1.00	.69	.87	1.00	.71	.90												
	700	27.4	1310	.47	.59	.47	.60	.72	.72	.47	.60	.48	.61	.74	.48	.63	.77	.49	.64												
71°F (21.7°C)	800	28.2	1300	.47	.61	.47	.62	.76	.76	.47	.62	.49	.63	.78	.49	.65	.80	.50	.67												
	900	29.0	1290	.48	.63	.49	.64	.79	.79	.49	.64	.50	.66	.81	.50	.67	.84	.52	.69												

COOLING PERFORMANCE EXTENDED RATINGS

Note: Shaded area is AHRI Rating Conditions

Indoor Wet Bulb Temperature		Outdoor Air Temperature Entering Outdoor Coil																								
		85° F (29.4° C)				95° F (35° C)				105° F (40.6° C)				115° F (46.1° C)				125° F (51.7° C)								
		Total Cooling Capacity kBTuh		Comp. Motor Watts Input		Sensible To Total Ratio (S/T) Indoor Dry Bulb		Sensible To Total Ratio (S/T) Indoor Dry Bulb		Total Cooling Capacity kBTuh		Comp. Motor Watts Input		Sensible To Total Ratio (S/T) Indoor Dry Bulb		Sensible To Total Ratio (S/T) Indoor Dry Bulb		Total Cooling Capacity kBTuh		Comp. Motor Watts Input		Sensible To Total Ratio (S/T) Indoor Dry Bulb		Sensible To Total Ratio (S/T) Indoor Dry Bulb		
																										75°F 23.9°C
Total Air Volume cfm	Total Cooling Capacity kBTuh	Comp. Motor Watts Input	Sensible To Total Ratio (S/T) Indoor Dry Bulb	Total Cooling Capacity kBTuh	Comp. Motor Watts Input	Sensible To Total Ratio (S/T) Indoor Dry Bulb	Total Cooling Capacity kBTuh	Comp. Motor Watts Input	Sensible To Total Ratio (S/T) Indoor Dry Bulb	Total Cooling Capacity kBTuh	Comp. Motor Watts Input	Sensible To Total Ratio (S/T) Indoor Dry Bulb	Total Cooling Capacity kBTuh	Comp. Motor Watts Input	Sensible To Total Ratio (S/T) Indoor Dry Bulb	Total Cooling Capacity kBTuh	Comp. Motor Watts Input	Sensible To Total Ratio (S/T) Indoor Dry Bulb	Total Cooling Capacity kBTuh	Comp. Motor Watts Input	Sensible To Total Ratio (S/T) Indoor Dry Bulb	Total Cooling Capacity kBTuh	Comp. Motor Watts Input	Sensible To Total Ratio (S/T) Indoor Dry Bulb		
4AC16L30P-50 - EAC4X30B																										
59°F (15°C)	875	28.0	1510	.94	1.00	1.00	.97	1.00	1.00	.99	1.00	1.00	25.6	1970	.99	1.00	1.00	24.2	2250	1.00	1.00	1.00	22.4	2570	1.00	1.00
	1000	29.2	1510	.98	1.00	1.00	1.00	1.00	1.00	1.00	1.00	1.00	26.8	1980	1.00	1.00	1.00	25.2	2260	1.00	1.00	1.00	23.4	2580	1.00	1.00
63°F (17.2°C)	1125	30.2	1510	1.00	1.00	1.00	1.00	1.00	1.00	1.00	1.00	1.00	27.6	1990	1.00	1.00	1.00	26.0	2270	1.00	1.00	1.00	24.2	2590	1.00	1.00
	875	29.0	1510	.77	.91	1.00	.79	.93	1.00	.81	.96	1.00	26.0	1970	.81	.96	1.00	24.4	2260	.83	.99	1.00	22.4	2570	.87	1.00
67°F (19.4°C)	1000	29.8	1510	.80	.95	1.00	.82	.97	1.00	.84	1.00	1.00	26.8	1980	.84	1.00	1.00	25.2	2260	.87	1.00	1.00	23.4	2580	.91	1.00
	1125	30.6	1520	.83	.99	1.00	.84	1.00	1.00	.87	1.00	1.00	27.6	1990	.87	1.00	1.00	26.0	2270	.91	1.00	1.00	24.2	2590	.95	1.00
71°F (21.7°C)	875	30.8	1520	.61	.74	.87	.62	.76	.89	.63	.78	.92	27.8	1990	.63	.78	.92	26.0	2270	.65	.81	.96	23.8	2580	.67	.84
	1000	31.6	1520	.63	.77	.91	.64	.79	.94	.65	.81	.96	28.4	1990	.65	.81	.96	26.6	2280	.67	.85	1.00	24.4	2590	.70	.88
75°F (23.9°C)	1125	32.4	1530	.65	.80	.95	.66	.82	.98	.67	.85	1.00	29.0	1990	.67	.85	1.00	27.0	2290	.70	.88	1.00	24.8	2590	.73	.93
	875	32.6	1530	.47	.59	.71	.47	.60	.73	.48	.62	.75	29.4	2000	.48	.62	.75	27.6	2290	.49	.63	.78	25.4	2610	.50	.65
79°F (26.1°C)	1000	33.6	1540	.48	.62	.75	.48	.63	.76	.49	.64	.79	30.2	2010	.49	.64	.79	28.2	2300	.50	.66	.81	26.0	2620	.51	.68
	1125	34.2	1540	.49	.63	.78	.49	.65	.80	.50	.66	.82	30.8	2020	.50	.66	.82	28.8	2300	.51	.68	.85	26.6	2630	.52	.71
4AC16L36P-50 - EAC4X36B																										
59°F (15°C)	1050	33.8	1910	.92	1.00	1.00	.94	1.00	1.00	.96	1.00	1.00	31.2	2450	.96	1.00	1.00	29.6	2820	.99	1.00	1.00	27.8	3300	1.00	1.00
	1200	35.2	1900	.96	1.00	1.00	.98	1.00	1.00	1.00	1.00	1.00	32.6	2460	1.00	1.00	1.00	30.8	2830	1.00	1.00	1.00	28.8	3300	1.00	1.00
63°F (17.2°C)	1350	36.4	1900	.99	1.00	1.00	1.00	1.00	1.00	1.00	1.00	1.00	33.6	2460	1.00	1.00	1.00	31.8	2830	1.00	1.00	1.00	29.6	3300	1.00	1.00
	1050	35.2	1900	.75	.88	1.00	.76	.90	1.00	.78	.93	1.00	32.0	2460	.78	.93	1.00	30.2	2820	.80	.96	1.00	27.8	3290	.82	.99
67°F (19.4°C)	1200	36.2	1900	.77	.92	1.00	.79	.94	1.00	.80	.97	1.00	33.0	2450	.80	.97	1.00	31.0	2830	.83	1.00	1.00	28.8	3300	.86	1.00
	1350	37.0	1900	.80	.96	1.00	.81	.98	1.00	.83	1.00	1.00	33.6	2460	.83	1.00	1.00	31.8	2830	.86	1.00	1.00	29.6	3310	.90	1.00
71°F (21.7°C)	1050	37.0	1900	.59	.72	.85	.60	.74	.87	.61	.75	.89	33.8	2460	.61	.75	.89	31.8	2830	.62	.77	.92	29.4	3300	.63	.80
	1200	38.0	1900	.61	.75	.89	.62	.76	.91	.63	.78	.93	34.8	2470	.63	.78	.93	32.6	2830	.64	.80	.97	30.2	3300	.65	.83
75°F (23.9°C)	1350	39.0	1900	.62	.78	.93	.63	.79	.95	.64	.81	.97	35.4	2470	.64	.81	.97	33.2	2830	.65	.83	1.00	30.8	3300	.68	.87
	1050	38.5	1900	.45	.58	.70	.46	.58	.71	.46	.59	.73	35.2	2470	.46	.59	.73	33.4	2840	.46	.61	.75	31.0	3320	.47	.63
79°F (26.1°C)	1200	40.0	1900	.46	.59	.73	.46	.60	.74	.46	.62	.76	36.4	2480	.46	.62	.76	34.2	2850	.47	.63	.78	31.6	3320	.48	.64
	1350	40.5	1910	.47	.61	.75	.47	.62	.77	.47	.63	.79	37.0	2480	.48	.63	.79	34.8	2860	.48	.64	.82	32.2	3330	.49	.67

COOLING PERFORMANCE EXTENDED RATINGS

Note: Shaded area is AHRI Rating Conditions

Indoor Wet Bulb Temperature		Outdoor Air Temperature Entering Outdoor Coil																																
		85° F (29.4° C)						95° F (35° C)						105° F (40.6° C)						115° F (46.1° C)						125° F (51.7° C)								
		Total Cooling Capacity			Sensible To Total Ratio (S/T)			Comp. Motor Watts			Sensible To Total Ratio (S/T)			Comp. Motor Watts			Total Cooling Capacity			Sensible To Total Ratio (S/T)			Comp. Motor Watts			Total Cooling Capacity			Sensible To Total Ratio (S/T)			Comp. Motor Watts		
		kBTuh	80°F 26.7°C	85°F 29.4°C	Input	75°F 23.9°C	80°F 26.7°C	85°F 29.4°C	kBTuh	Input	75°F 23.9°C	80°F 26.7°C	85°F 29.4°C	kBTuh	Input	75°F 23.9°C	80°F 26.7°C	85°F 29.4°C	kBTuh	Input	75°F 23.9°C	80°F 26.7°C	85°F 29.4°C	kBTuh	Input	75°F 23.9°C	80°F 26.7°C	85°F 29.4°C	kBTuh	Input	75°F 23.9°C	80°F 26.7°C	85°F 29.4°C	
59°F (15°C)		4AC16L41P-50 - EAC4X49C																																
		1225	37.4	1950	.98	1.00	1.00	2210	1.00	1.00	1.00	34.4	2500	1.00	1.00	1.00	32.8	2840	1.00	1.00	1.00	30.8	3250	1.00	1.00	1.00	28.0	3270	1.00	1.00	1.00			
		1400	39.0	1960	1.00	1.00	1.00	35.8	2510	1.00	1.00	1.00	34.0	2850	1.00	1.00	1.00	32.0	2850	1.00	1.00	1.00	32.0	3260	1.00	1.00	1.00	29.0	3270	1.00	1.00	1.00		
63°F (17.2°C)		1575	40.5	1970	1.00	1.00	2230	1.00	1.00	1.00	37.0	2520	1.00	1.00	1.00	35.2	2860	1.00	1.00	1.00	33.0	3260	1.00	1.00	1.00	29.0	3270	1.00	1.00	1.00				
		1225	38.5	1950	.79	.94	1.00	2210	.81	.97	1.00	34.6	2500	.83	.99	1.00	32.6	2840	.86	1.00	1.00	30.8	3250	.89	1.00	1.00	28.0	3270	.75	.96	1.00			
		1400	39.5	1960	.83	.98	1.00	2220	.85	1.00	1.00	35.8	2510	.87	1.00	1.00	34.0	2850	.90	1.00	1.00	32.0	3260	.94	1.00	1.00	29.0	3270	.98	1.00	1.00			
67°F (19.4°C)		1575	40.5	1970	.86	1.00	2230	.88	1.00	1.00	37.2	2520	.91	1.00	1.00	35.2	2860	.94	1.00	1.00	33.0	3270	.98	1.00	1.00	29.0	3270	.98	1.00	1.00				
		1225	40.5	1970	.63	.77	.90	2230	.64	.79	.93	36.6	2520	.65	.81	.96	34.4	2850	.67	.83	.99	32.0	3260	.69	.86	1.00	28.0	3260	.69	.86	1.00			
		1400	42.0	1990	.65	.80	.95	2240	.66	.82	.98	37.6	2530	.68	.84	1.00	35.4	2860	.69	.87	1.00	32.8	3260	.72	.91	1.00	28.0	3260	.72	.91	1.00			
71°F (21.7°C)		1575	43.0	2000	.67	.83	.99	2250	.68	.86	1.00	38.5	2530	.70	.88	1.00	36.0	2870	.72	.92	1.00	33.6	3270	.75	.96	1.00	28.0	3270	.75	.96	1.00			
		1225	42.5	1990	.47	.61	.74	2250	.48	.62	.76	38.5	2540	.49	.64	.78	36.4	2870	.50	.65	.81	34.0	3270	.49	.67	.84	28.0	3270	.49	.67	.84			
		1400	44.0	2010	.49	.63	.77	2270	.49	.65	.79	39.5	2550	.50	.66	.82	37.4	2880	.51	.68	.85	34.8	3280	.52	.70	.88	28.0	3280	.52	.70	.88			
1575	45.0	2020	.50	.66	.81	2280	.50	.67	.83	40.5	2560	.51	.69	.85	38.0	2890	.52	.71	.89	35.4	3290	.54	.73	.93	28.0	3290	.54	.73	.93					
59°F (15°C)		4AC16L42P-50 - EAC4X49C																																
		1225	40.5	2340	.94	1.00	1.00	39.0	2640	.97	1.00	1.00	37.2	2950	.99	1.00	1.00	35.4	3320	1.00	1.00	1.00	33.6	3770	1.00	1.00	1.00	28.0	3770	1.00	1.00	1.00		
		1400	42.0	2350	.99	1.00	1.00	40.5	2640	1.00	1.00	1.00	39.0	2960	1.00	1.00	1.00	36.8	3320	1.00	1.00	1.00	34.8	3760	1.00	1.00	1.00	28.0	3760	1.00	1.00	1.00		
63°F (17.2°C)		1575	43.5	2350	1.00	1.00	42.0	2650	1.00	1.00	1.00	40.0	2950	1.00	1.00	1.00	38.0	3310	1.00	1.00	1.00	35.8	3760	1.00	1.00	1.00	28.0	3760	1.00	1.00	1.00			
		1225	41.5	2350	.77	.91	1.00	40.0	2640	.79	.93	1.00	37.8	2950	.81	.96	1.00	35.6	3310	.83	.99	1.00	33.4	3760	.86	1.00	1.00	28.0	3760	.86	1.00	1.00		
		1400	43.0	2350	.80	.95	1.00	41.0	2640	.82	.98	1.00	39.0	2960	.84	1.00	1.00	36.8	3320	.87	1.00	1.00	34.8	3760	.90	1.00	1.00	28.0	3760	.90	1.00	1.00		
67°F (19.4°C)		1575	44.0	2350	.83	.99	42.0	2640	.85	1.00	1.00	40.0	2960	.88	1.00	1.00	38.0	3310	.91	1.00	1.00	35.8	3750	.94	1.00	1.00	28.0	3750	.94	1.00	1.00			
		1225	44.0	2350	.61	.75	.88	42.0	2640	.63	.76	.90	40.0	2950	.64	.78	.93	37.4	3310	.65	.81	.96	35.2	3750	.67	.83	.99	28.0	3750	.67	.83	.99		
		1400	45.5	2360	.64	.78	.92	43.0	2650	.65	.80	.94	41.0	2950	.66	.82	.97	38.5	3310	.68	.85	1.00	36.0	3750	.70	.88	1.00	28.0	3750	.70	.88	1.00		
71°F (21.7°C)		1575	46.5	2360	.65	.81	.96	44.0	2650	.67	.83	.98	42.0	2950	.68	.85	1.00	39.0	3300	.70	.88	1.00	36.6	3740	.72	.92	1.00	28.0	3740	.72	.92	1.00		
		1225	46.0	2360	.47	.60	.72	44.0	2650	.47	.61	.74	42.0	2950	.48	.62	.76	39.5	3300	.49	.64	.78	37.0	3740	.50	.66	.81	28.0	3740	.50	.66	.81		
		1400	47.5	2360	.48	.62	.75	45.5	2650	.49	.63	.77	43.0	2950	.50	.65	.80	40.5	3300	.50	.66	.82	37.8	3730	.52	.69	.85	28.0	3730	.52	.69	.85		
1575	48.5	2360	.49	.64	.79	46.5	2640	.50	.65	.81	44.0	2950	.50	.67	.83	41.0	3290	.50	.69	.86	38.5	3720	.52	.71	.90	28.0	3720	.52	.71	.90				

COOLING PERFORMANCE EXTENDED RATINGS

Note: Shaded area is AHRI Rating Conditions

Indoor Wet Bulb Temperature		Outdoor Air Temperature Entering Outdoor Coil																																
		85° F (29.4° C)						95° F (35° C)						105° F (40.6° C)						115° F (46.1° C)						125° F (51.7° C)								
		Total Cooling Capacity			Sensible To Total Ratio (S/T)			Comp. Motor Watts			Sensible To Total Ratio (S/T)			Comp. Motor Watts			Total Cooling Capacity			Sensible To Total Ratio (S/T)			Comp. Motor Watts			Total Cooling Capacity			Sensible To Total Ratio (S/T)			Comp. Motor Watts		
		kBtu/h	80°F 26.7°C	85°F 29.4°C	75°F 23.9°C	80°F 26.7°C	85°F 29.4°C	Input	75°F 23.9°C	80°F 26.7°C	85°F 29.4°C	kBtu/h	75°F 23.9°C	80°F 26.7°C	85°F 29.4°C	Input	75°F 23.9°C	80°F 26.7°C	85°F 29.4°C	kBtu/h	75°F 23.9°C	80°F 26.7°C	85°F 29.4°C	Input	75°F 23.9°C	80°F 26.7°C	85°F 29.4°C	kBtu/h	75°F 23.9°C	80°F 26.7°C	85°F 29.4°C	Input		
59°F (15°C)		4AC16L47P-50 - EAC4X60C																																
		1400	46.0	2480	.95	1.00	1.00	2800	.97	1.00	1.00	44.5	2800	.97	1.00	1.00	3180	.99	1.00	1.00	40.5	3590	1.00	1.00	1.00	38.5	4060	1.00	1.00	1.00				
		1600	48.0	2480	.99	1.00	1.00	2810	1.00	1.00	1.00	44.5	2810	1.00	1.00	1.00	3180	1.00	1.00	1.00	42.0	3590	1.00	1.00	1.00	39.5	4060	1.00	1.00	1.00				
		1800	50.0	2480	1.00	1.00	1.00	2810	1.00	1.00	1.00	45.5	2810	1.00	1.00	1.00	3180	1.00	1.00	1.00	43.5	3590	1.00	1.00	1.00	41.0	4050	1.00	1.00	1.00				
63°F (17.2°C)		1400	47.5	2480	.77	.91	1.00	.79	.94	1.00	45.5	2810	.79	.94	1.00	3180	.81	.96	1.00	40.5	3590	.83	.99	1.00	38.0	4060	.85	1.00	1.00					
		1600	49.0	2480	.81	.96	1.00	.82	.98	1.00	46.5	2810	.82	.98	1.00	3180	.84	1.00	1.00	42.0	3600	.86	1.00	1.00	40.0	4060	.89	1.00	1.00					
		1800	50.0	2470	.84	1.00	1.00	2810	.85	1.00	1.00	46.0	2810	.85	1.00	1.00	3180	.88	1.00	1.00	43.5	3600	.90	1.00	1.00	41.0	4060	.94	1.00	1.00				
		1400	50.0	2480	.61	.75	.88	2810	.63	.77	.90	45.5	2810	.63	.77	.90	3190	.64	.78	.92	43.0	3590	.65	.80	.95	40.0	4050	.67	.83	.99				
67°F (19.4°C)		1600	51.5	2480	.64	.78	2810	.65	.80	.95	49.0	2810	.65	.80	.95	3180	.66	.82	.97	44.0	3600	.67	.84	1.00	41.5	4060	.69	.87	1.00					
		1800	52.5	2480	.66	.81	.97	2810	.67	.83	.99	50.0	2810	.67	.83	.99	3190	.68	.85	1.00	45.0	3600	.70	.88	1.00	42.0	4060	.71	.91	1.00				
		1400	52.5	2480	.47	.60	.72	2810	.47	.61	.74	50.0	2810	.47	.61	.74	3190	.48	.62	.76	45.0	3590	.49	.64	.78	42.5	4060	.50	.65	.80				
		1600	54.0	2480	.48	.62	.76	2820	.49	.63	.78	51.5	2820	.49	.63	.78	3190	.49	.65	.79	46.0	3600	.50	.65	.82	43.5	4050	.50	.68	.85				
71°F (21.7°C)		1800	55.0	2470	.49	.62	2820	.50	.66	.81	52.5	2820	.50	.66	.81	3190	.50	.67	.83	47.0	3610	.51	.68	.86	44.0	4060	.52	.70	.89					
		4AC16L48P-50 - EAC4X60C																																
		1400	46.0	2520	.95	1.00	1.00	2850	.97	1.00	1.00	44.5	2850	.97	1.00	1.00	3230	.99	1.00	1.00	40.5	3650	1.00	1.00	1.00	38.0	4110	1.00	1.00	1.00				
		1600	48.0	2520	.99	1.00	1.00	2860	1.00	1.00	1.00	46.0	2860	1.00	1.00	1.00	3230	1.00	1.00	1.00	42.0	3640	1.00	1.00	1.00	39.5	4120	1.00	1.00	1.00				
59°F (15°C)		1800	49.5	2520	1.00	1.00	2860	1.00	1.00	1.00	48.0	2860	1.00	1.00	1.00	3230	1.00	1.00	1.00	43.5	3660	1.00	1.00	1.00	41.0	4120	1.00	1.00	1.00					
		1400	47.5	2520	.77	.91	1.00	.79	.94	1.00	45.0	2850	.79	.94	1.00	3230	.81	.96	1.00	40.5	3650	.83	.99	1.00	38.0	4120	.86	1.00	1.00					
		1600	48.5	2520	.81	.96	1.00	.83	.99	1.00	46.5	2860	.83	.99	1.00	3230	.85	1.00	1.00	42.0	3650	.87	1.00	1.00	40.0	4120	.90	1.00	1.00					
		1800	50.0	2530	.84	1.00	1.00	2860	.86	1.00	1.00	48.0	2860	.86	1.00	1.00	3240	.88	1.00	1.00	43.5	3660	.91	1.00	1.00	41.0	4120	.95	1.00	1.00				
63°F (17.2°C)		1400	50.0	2520	.61	.75	2860	.63	.77	.90	47.5	2860	.63	.77	.90	3230	.64	.79	.93	43.0	3660	.65	.81	.96	40.0	4110	.66	.83	.99					
		1600	51.5	2520	.64	.79	.93	2860	.65	.80	.95	49.0	2860	.65	.80	.95	3240	.66	.82	.98	44.0	3650	.68	.85	1.00	41.0	4120	.69	.88	1.00				
		1800	52.5	2520	.66	.82	.97	2870	.66	.84	1.00	50.0	2870	.66	.84	1.00	3240	.68	.86	1.00	45.0	3660	.70	.89	1.00	42.0	4120	.72	.92	1.00				
		1400	52.5	2530	.47	.60	.72	2870	.47	.61	.74	50.5	2870	.47	.61	.74	3250	.48	.62	.76	45.0	3660	.49	.64	.78	42.5	4120	.50	.65	.81				
71°F (21.7°C)		1600	54.0	2530	.48	.63	2870	.49	.64	.78	51.5	2870	.49	.64	.78	3250	.49	.65	.80	46.0	3670	.50	.66	.82	43.0	4120	.51	.68	.85					
		1800	55.5	2530	.49	.65	.80	2880	.50	.66	.81	52.5	2880	.50	.66	.81	3250	.50	.67	.84	47.0	3670	.51	.69	.86	44.0	4120	.52	.71	.90				

COOLING PERFORMANCE EXTENDED RATINGS

Note: Shaded area is AHRI Rating Conditions

Indoor Wet Bulb Temperature		Outdoor Air Temperature Entering Outdoor Coil																																					
		85° F (29.4° C)						95° F (35° C)						105° F (40.6° C)						115° F (46.1° C)						125° F (51.7° C)													
		Total Cooling Capacity			Sensible To Total Ratio (S/T)			Comp. Motor Watts			Total Cooling Capacity			Sensible To Total Ratio (S/T)			Comp. Motor Watts			Total Cooling Capacity			Sensible To Total Ratio (S/T)			Comp. Motor Watts			Total Cooling Capacity			Sensible To Total Ratio (S/T)			Comp. Motor Watts				
		kBTuh	80°F 26.7°C	85°F 29.4°C	75°F 23.9°C	80°F 26.7°C	85°F 29.4°C	75°F 23.9°C	80°F 26.7°C	85°F 29.4°C	kBTuh	80°F 26.7°C	85°F 29.4°C	75°F 23.9°C	80°F 26.7°C	85°F 29.4°C	kBTuh	80°F 26.7°C	85°F 29.4°C	75°F 23.9°C	80°F 26.7°C	85°F 29.4°C	kBTuh	80°F 26.7°C	85°F 29.4°C	75°F 23.9°C	80°F 26.7°C	85°F 29.4°C	kBTuh	80°F 26.7°C	85°F 29.4°C	75°F 23.9°C	80°F 26.7°C	85°F 29.4°C					
59°F (15°C)		4AC16L59P-50 - EAC4X60C																																					
		1575	55.0	3360	.92	1.00	1.00	.94	1.00	1.00	53.0	3790	.94	1.00	1.00	50.5	4290	.96	1.00	1.00	48.0	4840	.99	1.00	1.00	45.5	5420	1.00	1.00	1.00	44.0	4840	.99	1.00	1.00	41.5	5420	1.00	1.00
63°F (17.2°C)		1800	57.5	3350	.96	1.00	1.00	.98	1.00	55.0	3790	.98	1.00	1.00	53.0	4280	1.00	1.00	1.00	50.5	4840	1.00	1.00	1.00	47.5	5440	1.00	1.00	1.00	45.5	5440	1.00	1.00	1.00	43.0	5440	1.00	1.00	1.00
		2025	59.5	3350	1.00	1.00	1.00	1.00	1.00	57.0	3790	1.00	1.00	1.00	1.00	55.0	4280	1.00	1.00	1.00	52.0	4850	1.00	1.00	1.00	49.0	5440	1.00	1.00	1.00	47.0	5440	1.00	1.00	1.00	44.5	5440	1.00	1.00
67°F (19.4°C)		1575	57.0	3350	.75	.88	1.00	.77	.90	54.5	3790	.77	.90	1.00	52.0	4290	.78	.93	1.00	49.0	4850	.80	.96	1.00	45.5	5420	.83	.99	1.00	43.5	5420	.87	1.00	1.00	41.0	5420	.87	1.00	1.00
		1800	58.5	3350	.78	.93	1.00	.80	.95	56.0	3790	.80	.95	1.00	53.5	4290	.82	.97	1.00	50.5	4850	.84	.97	1.00	47.5	5420	.87	1.00	1.00	45.5	5420	.91	1.00	1.00	43.0	5420	.91	1.00	1.00
71°F (21.7°C)		2025	60.0	3340	.81	.97	1.00	.83	.99	57.5	3780	.83	.99	1.00	55.0	4290	.85	1.00	1.00	52.0	4840	.87	1.00	1.00	49.0	5450	.91	1.00	1.00	47.0	5450	.91	1.00	1.00	44.5	5450	.91	1.00	1.00
		1575	60.5	3340	.60	.73	.85	.61	.74	58.0	3780	.61	.74	.87	55.0	4290	.62	.76	.89	52.0	4850	.63	.78	.92	48.5	5430	.65	.81	.96	46.5	5430	.65	.81	.96	44.0	5430	.65	.81	.96
75°F (23.9°C)		1800	62.0	3340	.62	.76	.89	.63	.77	59.5	3780	.63	.77	.91	56.5	4290	.64	.79	.94	53.5	4840	.66	.82	.97	49.5	5430	.68	.85	1.00	47.5	5430	.68	.85	1.00	45.0	5430	.68	.85	1.00
		2025	63.5	3340	.64	.79	.93	.65	.80	60.5	3780	.65	.80	.96	57.5	4290	.66	.82	.98	54.5	4840	.68	.85	1.00	50.5	5430	.70	.89	1.00	48.5	5430	.70	.89	1.00	46.0	5430	.70	.89	1.00
79°F (26.1°C)		1575	63.5	3340	.46	.59	.70	.47	.59	61.0	3780	.47	.59	.72	58.0	4290	.47	.60	.73	55.0	4850	.48	.62	.75	51.0	5450	.49	.64	.78	49.0	5450	.49	.64	.78	46.5	5450	.49	.64	.78
		1800	65.5	3340	.47	.60	.73	.47	.61	62.5	3790	.47	.61	.75	59.5	4290	.48	.63	.77	56.5	4860	.49	.64	.79	52.5	5450	.50	.66	.82	50.5	5450	.50	.66	.82	48.0	5450	.50	.66	.82
83°F (28.3°C)		2025	67.0	3340	.48	.62	.76	.49	.64	64.0	3790	.49	.64	.78	61.0	4300	.49	.65	.80	57.5	4860	.50	.67	.83	53.5	5450	.51	.69	.86	51.5	5450	.51	.69	.86	49.0	5450	.51	.69	.86
		4AC16L60P-50 - EA(C;U)1P160C+H4TXV03+45 SEC BLOWER DELAY																																					
59°F (15°C)		1575	55.5	3510	.89	1.00	1.00	.91	1.00	53.5	3940	.91	1.00	1.00	51.5	4440	.94	1.00	1.00	49.0	5010	.96	1.00	1.00	46.0	5710	.99	1.00	1.00	44.0	5710	.99	1.00	1.00	41.5	5710	.99	1.00	1.00
		1800	58.0	3500	.93	1.00	1.00	.95	1.00	56.0	3940	.95	1.00	1.00	53.5	4430	.98	1.00	1.00	51.0	5010	1.00	1.00	1.00	48.0	5700	1.00	1.00	1.00	46.0	5700	1.00	1.00	1.00	43.5	5700	1.00	1.00	1.00
63°F (17.2°C)		2025	60.5	3500	.97	1.00	1.00	.99	1.00	58.0	3940	.99	1.00	1.00	55.5	4430	1.00	1.00	1.00	53.0	5010	1.00	1.00	1.00	50.0	5700	1.00	1.00	1.00	48.0	5700	1.00	1.00	1.00	45.5	5700	1.00	1.00	1.00
		1575	58.5	3500	.73	.86	.98	.74	.88	56.0	3940	.74	.88	1.00	53.0	4430	.76	.90	1.00	50.0	5000	.78	.93	1.00	47.0	5710	.80	.96	1.00	45.0	5710	.80	.96	1.00	42.5	5710	.80	.96	1.00
67°F (19.4°C)		1800	60.0	3500	.75	.90	1.00	.77	.92	57.5	3940	.77	.92	1.00	54.5	4430	.79	.94	1.00	51.5	5010	.81	.97	1.00	48.5	5700	.84	1.00	1.00	46.5	5700	.84	1.00	1.00	44.0	5700	.84	1.00	1.00
		2025	61.5	3500	.78	.94	1.00	.80	.96	59.0	3940	.80	.96	1.00	56.0	4440	.82	.98	1.00	53.0	5000	.84	1.00	1.00	49.5	5700	.87	1.00	1.00	47.5	5700	.87	1.00	1.00	45.0	5700	.87	1.00	1.00
71°F (21.7°C)		1575	62.0	3500	.58	.71	.83	.59	.72	59.0	3940	.59	.72	.85	56.0	4430	.60	.73	.87	53.0	5010	.61	.75	.89	49.5	5700	.62	.78	.93	47.5	5700	.62	.78	.93	45.0	5700	.62	.78	.93
		1800	63.5	3490	.60	.73	.86	.60	.75	60.5	3940	.60	.75	.89	58.0	4430	.62	.76	.91	54.5	5010	.63	.79	.94	51.0	5690	.64	.81	.97	49.0	5690	.64	.81	.97	46.5	5690	.64	.81	.97
75°F (23.9°C)		2025	65.0	3490	.61	.76	.90	.63	.78	62.0	3940	.63	.78	.93	59.0	4430	.63	.79	.95	55.5	5000	.65	.82	.98	52.0	5690	.67	.85	1.00	50.0	5690	.67	.85	1.00	47.5	5690	.67	.85	1.00
		1575	65.0	3490	.44	.57	.68	.45	.57	62.5	3940	.45	.57	.69	59.0	4430	.45	.58	.71	56.0	5010	.46	.59	.73	52.5	5690	.46	.61	.75	50.0	5690	.46	.61	.75	47.5	5690	.46	.61	.75
79°F (26.1°C)		1800	67.0	3490	.45	.58	.71	.45	.59	64.0	3930	.45	.59	.72	61.0	4430	.46	.60	.74	57.5	5010	.46	.62	.76	54.0	5690	.47	.63	.79	51.5	5690	.47	.63	.79	49.0	5690	.47	.63	.79
		2025	68.5	3480	.46	.60	.74	.46	.61	65.5	3930	.46	.61	.75	62.0	4430	.47	.62	.77	58.5	5010	.47	.64	.78	55.0	5690	.48	.66	.83	52.5	5690	.48	.66	.83	50.0	5690	.48	.66	.83



1-800-448-5872

All specifications and illustrations subject to change without notice and without incurring obligations.