

FEATURES

- Standard Efficiency cooling
- Completely self-contained heating and cooling package
 - Anti-microbial evaporator drain pan
 - No outside condensing unit
 - No external refrigerant lines
 - No separate indoor cooling coil
- Pre-wired and pre-charged
- Individually metered and controlled
- Self-contained, replaceable, slide-out cooling chassis

REFRIGERANT SYSTEM

- High efficiency compressor
- Copper tubing with enhanced fin coils

BLOWER

- Multispeed electronically commutating blower motor for wide airflow range
- Dynamically balanced blower with resilient motor mounts for smooth and quiet operation
- Internal filter is standard

CONTROLS

- Color coded wiring for easy service

INSTALLATION

- Plug & Play like features

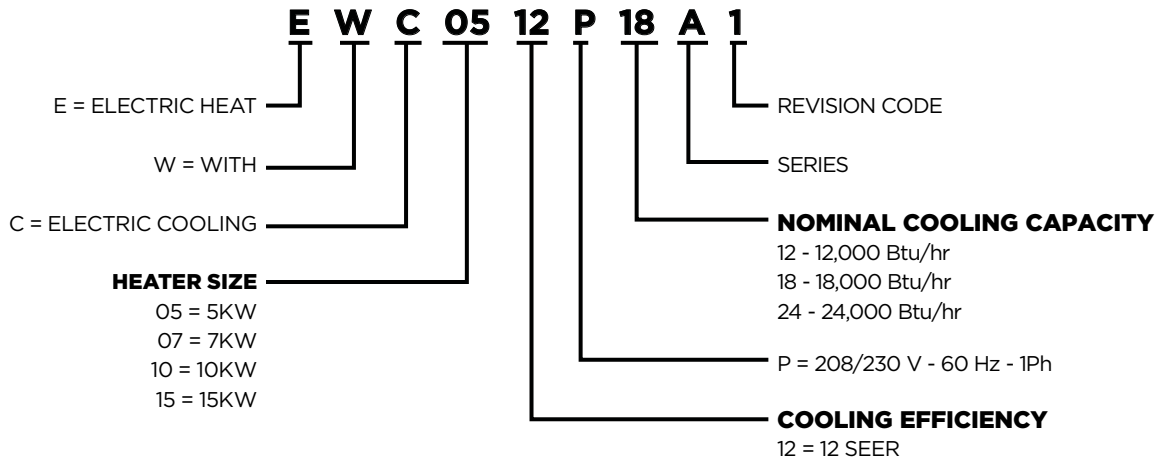
WARRANTY

- 5 year limited warranty on all parts

EWC MODEL UNITS ELECTRIC HEATING / ELECTRIC COOLING PACKAGED UNITS



MODEL NUMBER GUIDE



ELECTRICAL AND PHYSICAL DATA

Model No.	Voltage/Hz/Phase	Voltage Range	Min. Ckt. Ampacity				Maximum Fuse Size				Compressor		Outside Fan				Indoor Blower			R410A Charge	Approx. Weight (lbs.)								
			CKT1		CKT2		CKT1		CKT2		Rated Load Amps	Locked Rotor Amps	Dia	Nominal RPM	Rated Load Amps	HP	Wheel Dia x Width	Rated Load Amps	HP										
			208V	240V	208V	240V	208V	240V	208V	240V																			
EWC0512P12A	208-230/60/1	197-253	23.3	26.6	N/A	N/A	25.0	30.0	N/A	N/A	4.9	27.0	18.0	1075	0.9	1/8	10 x 4.5	1.3	1/2	58	302	45	284						
EWC0712P12A			34.1	39.1			35.0	40.0																6.7	37.5	1.8	1/4	57	333
EWC0512P18A			23.3	26.6			25.0	30.0																10.2	61.6	1100	2.8	1/3	2.4
EWC0712P18A			34.1	39.1	35.0	40.0																							
EWC1012P18A			45.0	51.6	45.0	60.0	10.2	61.6	1100	2.8	1/3	2.4	57	333															
EWC1012P24A			46.3	53.0	50.0	60.0																							
EWC1512P24A			24.7	28.0	43.3	50.0	25.0	30.0	45.0	50.0	10.2	61.6	1100	2.8	1/3	2.4	57	333											

PERFORMANCE

Model	Cooling				Heating			
	Btuh	SEER	S/T	CFM	240V		208V	
					kW/Hr	Btu/Hr	kW/Hr	Btu/Hr
EWC0512P12A	12,000	12	0.75	480	4.8	16,300	3.6	12,300
EWC0712P12A					7.2	24,600	5.4	18,400
EWC0512P18A	17,000	12	0.75	560	4.8	16,300	3.6	12,300
EWC0712P18A					7.2	24,600	5.4	18,400
EWC1012P18A					9.6	32,700	7.2	24,600
EWC1012P24A	22,800	12	0.75	770	9.6	32,700	7.2	24,600
EWC1512P24A					14.4	49,100	10.8	36,900

BLOWER PERFORMANCE

Airflow (SCFM) As a Function of External Static Pressure							
Model	Indoor Blower Speed	Unit Voltage (V)	0.1 " w.c.	0.2 " w.c.	0.3 " w.c.	0.4 " w.c.	0.5 " w.c.
EWC0512P12A	TAP 1 (HEAT) *	208 or 230	615	590	570	545	525
	TAP 2 (HEAT)	208 or 230	655	630	610	590	570
	TAP 3 (HEAT)	208 or 230	795	780	760	745	725
	TAP 4 (COOL) †	208 or 230	480	460	440	415	390
	TAP 5 (COOL)	208 or 230	530	505	485	460	430
EWC0712P12A	TAP 1 (HEAT)	208 or 230	615	590	570	545	525
	TAP 2 (HEAT) *	208 or 230	655	630	610	590	570
	TAP 3 (HEAT)	208 or 230	795	780	760	745	725
	TAP 4 (COOL) †	208 or 230	480	460	440	415	390
	TAP 5 (COOL)	208 or 230	530	505	485	460	430
EWC0512P18A EWC0712P18A	TAP 1 (HEAT)	208 or 230	805	785	770	750	730
	TAP 2 (HEAT) *	208 or 230	825	805	785	770	750
	TAP 3 (HEAT)	208 or 230	910	890	875	860	845
	TAP 4 (COOL) †	208 or 230	560	540	520	500	475
	TAP 5 (COOL)	208 or 230	610	580	560	535	505
EWC1012P18A	TAP 1 (HEAT)	208 or 230	805	785	770	750	730
	TAP 2 (HEAT)	208 or 230	825	805	785	770	750
	TAP 3 (HEAT) *	208 or 230	910	890	875	860	845
	TAP 4 (COOL) †	208 or 230	560	540	520	500	475
	TAP 5 (COOL)	208 or 230	610	580	560	535	505
EWC1012P24A	TAP 1 (HEAT)	208 or 230	805	785	770	750	730
	TAP 2 (HEAT)	208 or 230	825	805	785	770	750
	TAP 3 (HEAT) *	208 or 230	910	890	875	860	845
	TAP 4 (COOL) †	208 or 230	770	750	730	710	690
	TAP 5 (COOL)	208 or 230	820	790	770	750	730
EWC1512P24A	TAP 1 (HEAT)	208 or 230	805	785	770	750	730
	TAP 2 (HEAT)	208 or 230	825	805	785	770	750
	TAP 3 (HEAT) *	208 or 230	910	890	875	860	845
	TAP 4 (COOL) †	208 or 230	770	750	730	710	690
	TAP 5 (COOL)	208 or 230	820	790	770	750	730

* As shipped for Heating operation
 † As shipped for Cooling operation

COOLING PERFORMANCE EXTENDED RATINGS

Model	Indoor Temp DB/WB °F	Outdoor Temperature - DB °F														
		65			85			95			105			115		
		Btuh	S/T	kW	Btuh	S/T	kW	Btuh	S/T	kW	Btuh	S/T	kW	Btuh	S/T	kW
EWC**12P12A	85/72	16,600	0.62	0.91	15,100	0.65	1.08	13,800	0.68	1.22	12,400	0.73	1.32	11,100	0.77	1.46
	80/67	15,400	0.69	0.92	13,900	0.74	1.07	12,500	0.77	1.21	11,300	0.84	1.31	9,700	0.89	1.45
	75/63	14,400	0.71	0.92	12,700	0.78	1.06	11,300	0.81	1.21	10,100	0.88	1.31	8,500	0.94	1.44
	75/57	13,100	1.00	0.92	11,900	1.00	1.06	10,800	1.00	1.20	9,600	1.00	1.30	8,200	1.00	1.43
EWC**12P18A	85/72	21,200	0.58	1.22	19,900	0.60	1.50	18,600	0.63	1.59	17,100	0.65	1.73	15,700	0.69	1.87
	80/67	20,000	0.66	1.22	18,600	0.72	1.49	17,200	0.73	1.59	15,700	0.79	1.72	14,100	0.80	1.86
	75/63	19,100	0.69	1.22	17,400	0.73	1.49	15,700	0.76	1.58	14,300	0.78	1.71	12,600	0.83	1.85
	75/57	16,800	1.00	1.22	15,600	1.00	1.48	14,300	1.00	1.57	13,100	1.00	1.70	11,500	1.00	1.84
EWC**12P24A	85/72	31,100	0.61	1.73	28,300	0.62	2.01	25,600	0.65	2.28	23,400	0.67	2.53	21,100	0.71	2.76
	80/67	28,400	0.67	1.71	25,700	0.69	2.00	23,000	0.73	2.27	20,900	0.75	2.52	19,100	0.79	2.74
	75/63	26,100	0.70	1.70	23,700	0.73	1.97	21,300	0.76	2.25	19,500	0.78	2.51	17,400	0.82	2.74
	75/57	22,500	1.00	1.69	21,200	1.00	1.95	19,800	1.00	2.23	18,500	1.00	2.51	16,800	1.00	2.72

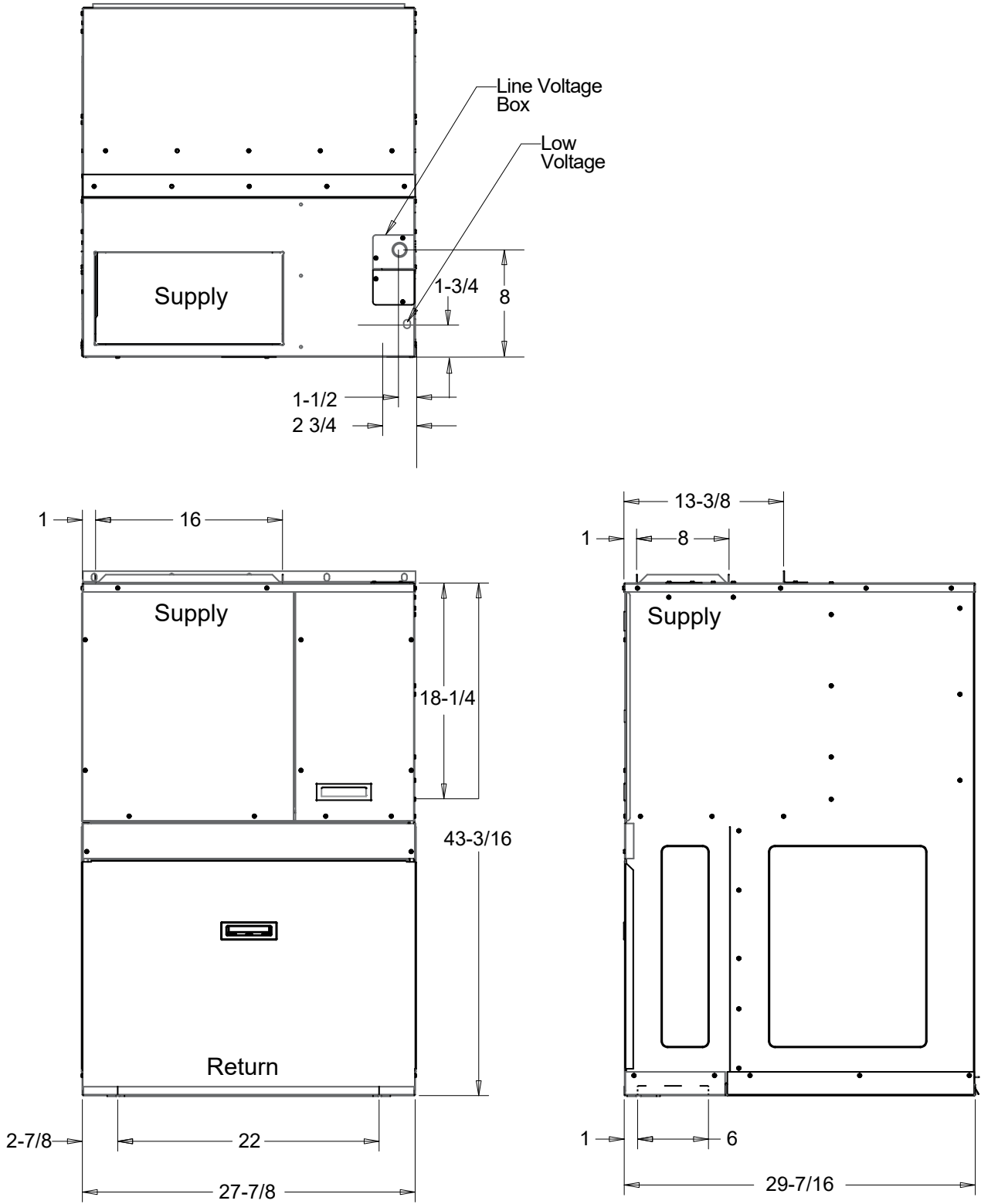
OUTDOOR SOUND RATINGS

Model	Sound Rating (dBA)
EWC0512P12A	76
EWC0712P12A	
EWC0512P18A	80
EWC0712P18A	
EWC1012P18A	
EWC1012P24A	80
EWC1512P24A	

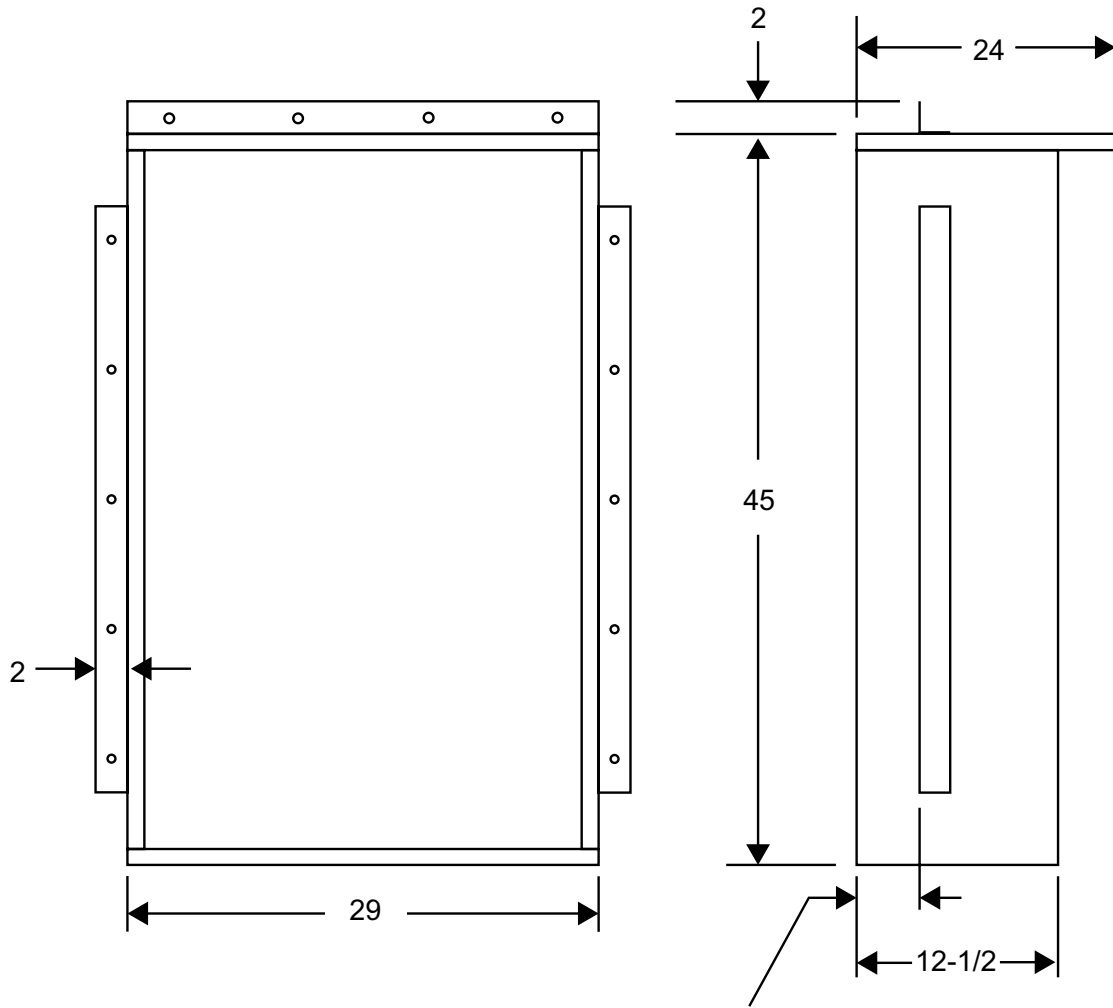
ACCESSORIES

Description	Kit #	Where Used
Wall Sleeve	CA239	All EWCs
Decorative External Louver Clear Anod. Al	ALVR42	
Decorative External Louver Custom Painted	ALVR42P	

UNIT DIMENSIONS



WALL SLEEVE DIMENSIONS



Flange may be assembled
1" or 3-3/4" from front of sleeve



215 Metropolitan Drive | West Columbia, SC 29170
800-448-5872
Product Support 866-282-7257
www.magic-pak.com

All specifications and illustrations subject to change
without notice and without incurring obligations.