



9 EER final order deadline: June 28, 2019  
All V-Series models below 11 EER will be out  
of production by September 20, 2019

# V-SERIES™ EWC

FORM NO. EWC-100 (08/2018)

## **FEATURES**

- Standard and High Efficiency cooling
- Completely self-contained heating and cooling package
  - Microban® Anti-microbial evaporator drain pan
  - No outside condensing unit
  - No external refrigerant lines
  - No separate indoor cooling coil
- Pre-wired and pre-charged
- Individually metered and controlled
- Self-contained, replaceable, slide-out cooling chassis

## **REFRIGERANT SYSTEM**

- High efficiency compressor
- Copper tubing with enhanced fin coils

## **BLOWER**

- Multispeed motor for wide airflow range
- ECM blower motor in high efficiency units, PSC blower motor in standard efficiency models
- Dynamically balanced blower with resilient motor mounts for smooth and quiet operation
- Internal filter is standard (optional MERV8)

## **CONTROLS**

- Color coded wiring for easy service

## **INSTALLATION**

- Plug & Play like features

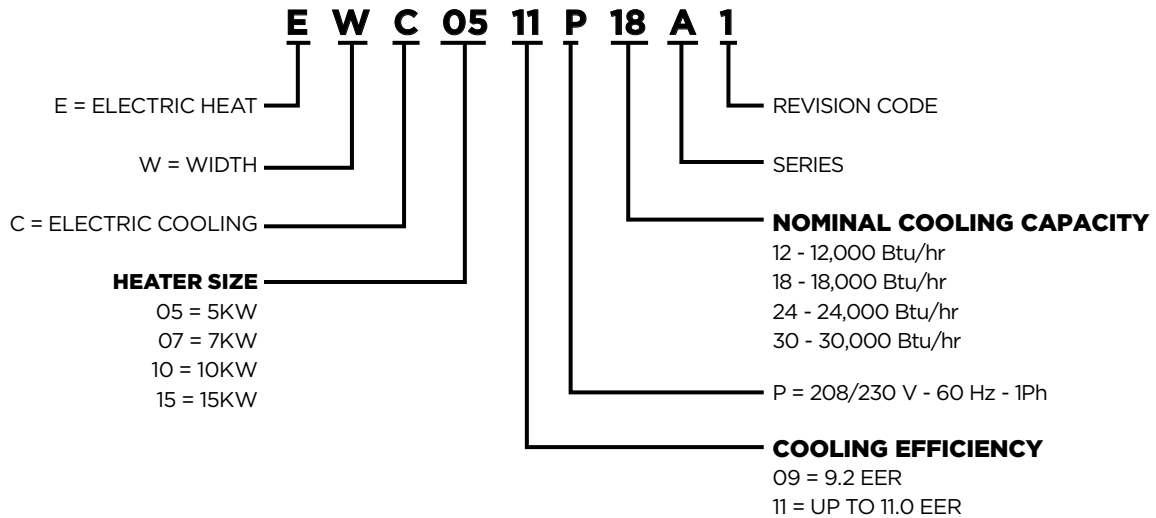
## **WARRANTY**

- 5 year limited warranty on all parts

## EWC MODEL UNITS ELECTRIC HEATING / ELECTRIC COOLING PACKAGED UNITS



### MODEL NUMBER GUIDE



### ELECTRICAL AND PHYSICAL DATA

Model No.	Voltage/Hz/Phase	Voltage Range		Min. Ckt. Ampacity		Maximum Fuse Size				Compressor		Outside Fan				Indoor Blower		R410A CHARGE									
				CKT1		CKT2		CKT1		CKT2		Rated Load Amps	Locked Rotor Amps	Dia	Nominal RPM	Rated Load Amps	HP		Wheel Dia x Width	Rated Load Amps	HP						
		208V	240V	208V	240V	208V	240V	208V	240V																		
EWC0509P12	208-230/60/1	197-253	23.3	26.6	N/A	N/A	25	30	N/A	N/A	4.9	27.0	18.0	1075	0.9	1/8	10 x 4.5	1.3	1/6	43							
EWC0709P12			34.1	39.1			35	40										1.3		43							
EWC0509P18			24.2	27.5			25	30										2	1/3	51							
EWC0709P18			35.0	40.0			35	45																			
EWC1009P18			45.8	52.5			50	60																			
EWC1009P24			45.8	52.5			50	60																			
EWC1509P24			24.2	27.5			45.8	53.1			25	30									50	60	8.5	38.0	1.6	1/4	56
EWC1009P30			45.1	51.8			N/A	N/A			50	60									N/A	N/A	13.1	74.0	1.4	63	
EWC1509P30			23.4	26.8			45.1	51.8			25	30									50	60					
EWC0511P12			208-230/60/1	197-253			22.1	25.5			N/A	N/A									25	30	N/A	N/A	4.9	27.0	18.0
EWC0711P12	33.0	38.0			35	40																					
EWC0511P18	22.5	25.9			25	30	6.7	37.5	18.0	1075			1.6	1/4	0.7	54											
EWC0711P18	33.4	38.4			35	40																					
EWC1011P18	44.3	50.9			45	60																					
EWC1011P24	45.1	51.8			50	60																					
EWC1511P24	23.4	26.8			45.1	51.8	25	30	50	60			8.5	38.0	1.4	66											

**PERFORMANCE**

Model	Cooling				Heating			
	Btuh	EER	S/T	CFM	240V		208V	
					kW/Hr	Btu/Hr	kW/Hr	Btu/Hr
EWC0509P12	11,800	9.2	0.72	425	4.8	16,300	3.6	12,300
EWC0709P12					7.2	24,600	5.4	18,400
EWC0509P18	17,000	9.2	0.75	625	4.8	16,300	3.6	12,300
EWC0709P18					7.2	24,600	5.4	18,400
EWC1009P18					9.6	32,700	7.2	24,600
EWC1009P24	22,000	9.2	0.74	800	9.6	32,700	7.2	24,600
EWC1509P24					14.4	49,100	10.8	36,900
EWC1009P30	27,600	9.2	0.68	800	9.6	32,700	7.2	24,600
EWC1509P30					14.4	49,100	10.8	36,900
EWC0511P12	11,800	11.0	0.70	425	4.8	16,300	3.6	12,300
EWC0711P12					7.2	24,600	5.4	18,400
EWC0511P18	17,400	11.0	0.74	625	4.8	16,300	3.6	12,300
EWC0711P18					7.2	24,600	5.4	18,400
EWC1011P18					9.6	32,700	7.2	24,600
EWC1011P24	22,000	10.0	0.73	800	9.6	32,700	7.2	24,600
EWC1511P24					14.4	49,100	10.8	36,900

**OUTDOOR SOUND RATINGS**

Model	Sound Rating (dBA)
EWC0509P12	76
EWC0709P12	
EWC0509P18	76
EWC0709P18	
EWC1009P18	
EWC1009P24	80
EWC1509P24	
EWC1009P30	80
EWC1509P30	
EWC0511P12	76
EWC0711P12	
EWC0511P18	80
EWC0711P18	
EWC1011P18	
EWC1011P24	80
EWC1511P24	

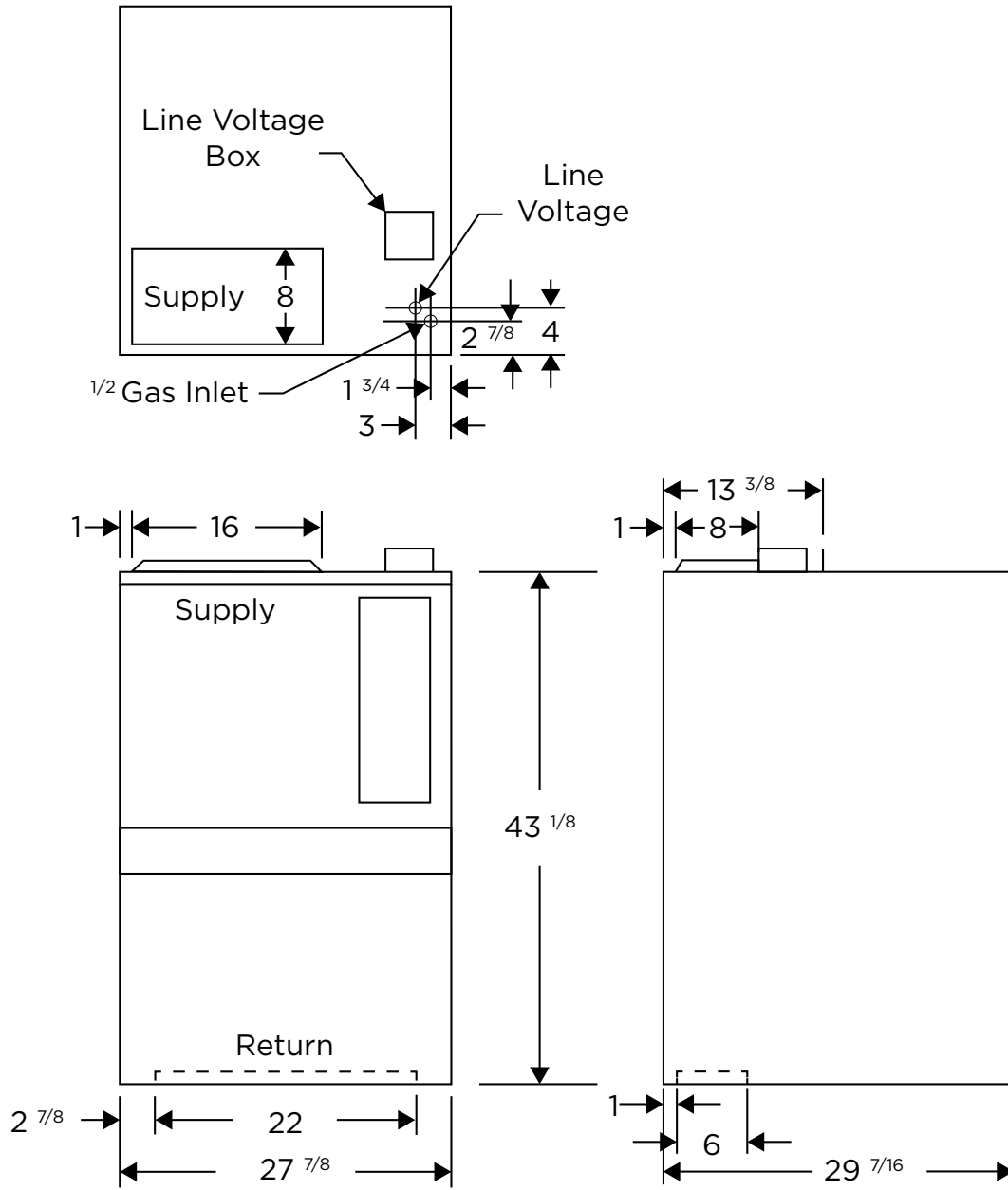
**ACCESSORIES**

Description	Kit #	Where Used
Wall Sleeve	CA239	All EWC's
DECORATIVE EXTERNAL LOUVER CLEAR ANOD. AL	ALVR42	
Decorative External Louver Custom Painted	ALVR42P	
MERV5 Filter (36 per box)	VSM5-1	
MERV8 Filter (24 per box)	VSM8-1	

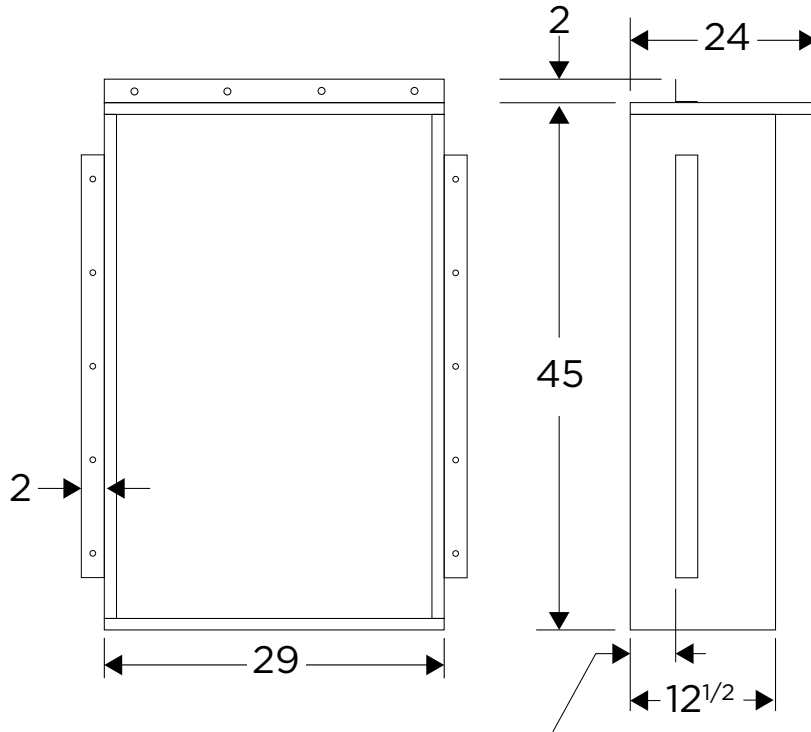
### COOLING PERFORMANCE EXTENDED RATINGS

Model	Indoor Temp DB/ WB °F	Outdoor Temperature - DB °F														
		65			85			95			105			115		
		Btuh	S/T	kW	Btuh	S/T	kW	Btuh	S/T	kW	Btuh	S/T	kW	Btuh	S/T	kW
EWC8R24/3609P12A	85/72	16800	0.54	1.00	15400	0.57	1.13	13900	0.61	1.25	12500	0.64	1.38	11000	0.67	1.50
	80/67	15500	0.62	1.00	13800	0.67	1.13	12100	0.72	1.26	10500	0.76	1.37	8800	0.80	1.48
	75/63	14400	0.66	1.00	12800	0.69	1.13	11100	0.72	1.26	9600	0.78	1.37	8100	0.84	1.47
	75/57	12300	1.00	1.00	11000	1.00	1.13	9900	0.99	1.26	8800	0.99	1.37	7600	0.99	1.47
EWC8R36/48/6009P18A	85/72	22400	0.56	1.41	21000	0.60	1.60	19600	0.63	1.78	18000	0.67	1.89	16400	0.70	1.99
	80/67	21200	0.64	1.40	19300	0.70	1.72	17300	0.75	2.04	15600	0.80	2.04	13900	0.85	2.04
	75/63	19600	0.69	1.40	17900	0.74	1.58	16200	0.79	1.76	14400	0.84	1.90	12600	0.88	2.03
	75/57	16800	1.00	1.40	15600	1.00	1.58	14300	1.00	1.75	13000	1.00	1.90	11600	1.00	2.05
EWC8R36/48/6009P24A	85/72	28000	0.57	1.81	25900	0.62	2.07	23700	0.66	2.32	21700	0.70	2.52	19600	0.74	2.72
	80/67	26500	0.66	1.81	24500	0.70	2.08	22500	0.74	2.34	19800	0.80	2.52	17000	0.86	2.70
	75/63	24700	0.71	1.82	22300	0.76	2.06	19900	0.80	2.29	17600	0.86	2.48	15300	0.91	2.67
	75/57	22400	1.00	1.84	20500	1.00	2.09	18500	1.00	2.33	16700	1.00	2.53	14800	1.00	2.73
EWC8R48/6009P30A	85/72	38500	0.55	2.56	35100	0.57	2.82	31700	0.58	3.08	28800	0.61	3.23	25900	0.63	3.37
	80/67	36000	0.62	2.50	32000	0.64	2.74	28000	0.66	2.98	25300	0.69	3.10	22500	0.72	3.22
	75/63	33200	0.65	2.46	29300	0.68	2.67	25400	0.70	2.88	22500	0.74	3.01	19600	0.77	3.13
	75/57	30600	1.00	2.50	24200	1.00	2.67	21900	1.00	2.81	19700	1.00	2.95	17400	1.00	3.08
EWC9N22/3311P12A	85/72	17200	0.57	0.93	16100	0.60	1.07	14900	0.62	1.21	14000	0.64	1.33	13000	0.66	1.44
	80/67	16100	0.65	0.93	14600	0.68	1.06	13000	0.70	1.18	12400	0.73	1.30	11700	0.75	1.42
	75/63	15100	0.68	0.93	14000	0.71	1.06	12800	0.73	1.19	11600	0.77	1.30	10300	0.81	1.40
	75/57	12400	1.00	0.91	12000	1.00	1.05	11600	0.99	1.18	11200	0.98	1.32	9700	0.97	1.45
EWC9N33/44/5511P18A	85/72	24000	0.58	1.31	22100	0.60	1.49	20100	0.62	1.67	18500	0.65	1.81	16900	0.67	1.95
	80/67	22200	0.65	1.31	20300	0.69	1.49	18400	0.72	1.66	16900	0.75	1.80	15300	0.77	1.93
	75/63	20600	0.70	1.31	18800	0.73	1.48	17000	0.75	1.64	15500	0.79	1.78	14000	0.82	1.91
	75/57	18000	1.00	1.30	16700	1.00	1.47	15300	1.00	1.63	14000	1.00	1.76	12700	1.00	1.89
EWC9N33/44/5511P24A	85/72	29400	0.58	1.76	27300	0.60	2.01	25200	0.62	2.25	23200	0.65	2.43	21200	0.67	2.60
	80/67	27600	0.65	1.76	24800	0.71	1.96	22000	0.76	2.16	20600	0.77	2.37	19100	0.78	2.57
	75/63	26000	0.68	1.77	23800	0.72	2.00	21500	0.76	2.22	19000	0.80	2.39	16400	0.84	2.55
	75/57	22300	1.00	1.76	20400	1.00	1.98	18500	1.00	2.20	17000	1.00	2.36	15400	1.00	2.52
EWC9N44/5511P30A	85/72	38500	0.55	2.56	35100	0.57	2.82	31700	0.58	3.08	28800	0.61	3.23	25900	0.63	3.37
	80/67	36000	0.62	2.50	32100	0.65	2.76	28100	0.68	3.01	25300	0.70	3.12	22500	0.72	3.22
	75/63	33200	0.65	2.46	29300	0.68	2.67	25400	0.70	2.88	22500	0.74	3.01	19600	0.77	3.13
	75/57	30600	1.00	2.50	24200	1.00	2.67	21900	1.00	2.81	19700	1.00	2.95	17400	1.00	3.08

**UNIT DIMENSIONS**



### WALL SLEEVE DIMENSIONS



Flange may be assembled  
1" or 3<sup>3</sup>/<sub>4</sub>" from front of sleeve



215 Metropolitan Drive | West Columbia, SC 29170  
800-448-5872  
Product Support 866-282-7257

All specifications and illustrations subject to change  
without notice and without incurring obligations.