

FEATURES

- 10.6 SEER cooling efficiency
- Completely self-contained heating and cooling package
 - No outside condensing unit
 - No external refrigerant lines
 - No separate cooling coil
- Pre-wired and pre-charged
- Individually metered and controlled
- Slide-out cooling chassis

REFRIGERANT SYSTEM

- High efficiency compressor
- Copper tubing with enhanced fin coils

HEAT EXCHANGER

- Aluminized steel tubular heat exchanger
- Optional 409 stainless steel heat exchanger

CABINET

- Attractive, neutral-toned finish

BLOWER

- Multispeed motor for wide airflow range
- PSC permanently lubricated motor for low maintenance and maximum efficiency
- Dynamically balanced blower with resilient motor mounts for smooth and quiet operation
- Internal filter

CONTROLS

- Trade available components
- Color coded wiring for easy service

INSTALLATION

- Easy to install and service
- Mounts flush with any outside wall

HWC



**5 year limited warranty
on all parts**

**20 year pro-rated warranty
on stainless steel
heat exchanger**

**10 year non-pro-rated on
aluminized heat
exchanger**



Model Number Guide

51	H	W	C	18	4	L	-	A	1A
Rated Input BTU/Hr x 1000	H - Gas Heat	W - Thru-the-Wall	C - Cooling	Nominal Cooling Btu/Hr x 1000		L - Low Nox		A-208/230v/60hz/1ph	Revision Code
						H - High Altitude			
						S - Low Ambient (cooling)			
						N - 409 Stainless Steel Heat Exchanger			
									Series

Physical and Electrical

Model	Voltage/ Hz/Phase	Normal Voltage Range	Min. Circuit Ampacity (amps)	Max. Fuse/HACR Brkr. (amps)	Compressor		Outside Fan			Indoor Blower		Refrig. Charge R22 (oz.)	Weight (lbs)	
					Rated Load (amps)	Locked Rotor (amps)	Dia. (in.)	Nom. RPM	Rated Load (amps)	Rated HP	Wheel dia. x wid. (in.)			Rated HP
26HWC124	208-230/60/1	197-253	7.9	15	4.7	27.0	18	1075	0.9	1/8	10 x 4	1/6	39	325
38HWC124	208-230/60/1	197-253	7.9	15	4.7	27.0	18	1075	0.9	1/8	10 x 4	1/6	39	325
38HWC184	208-230/60/1	197-253	14.4	20	9.0	41.0	18	1075	0.9	1/8	10 x 4	1/3	48	350
51HWC184	208-230/60/1	197-253	14.4	20	9.0	41.0	18	1075	0.9	1/8	10 x 4	1/3	48	350
64HWC184	208-230/60/1	197-253	14.4	20	9.0	41.0	18	1075	0.9	1/8	10 x 4	1/3	48	350
38HWC244	208-230/60/1	197-253	17.5	25	10.9	54.0	18	1075	1.6	1/4	10 x 4	1/3	50	360
51HWC244	208-230/60/1	197-253	17.5	25	10.9	54.0	18	1075	1.6	1/4	10 x 4	1/3	50	360
64HWC244	208-230/60/1	197-253	17.5	25	10.9	54.0	18	1075	1.6	1/4	10 x 4	1/3	50	360

Blower Performance

Model	Blower Speed	CFM @ ext. static pressure - in. w.c. with filter(s)			
		0.2	0.3	0.4	0.5
HWC124	Hi	650	615	575	540
	Med	475	450	425	400
	Low	415	405	390	380
HWC184,244	Hi	875	825	775	725
	Med	850	805	760	710
	Low	630	605	575	550

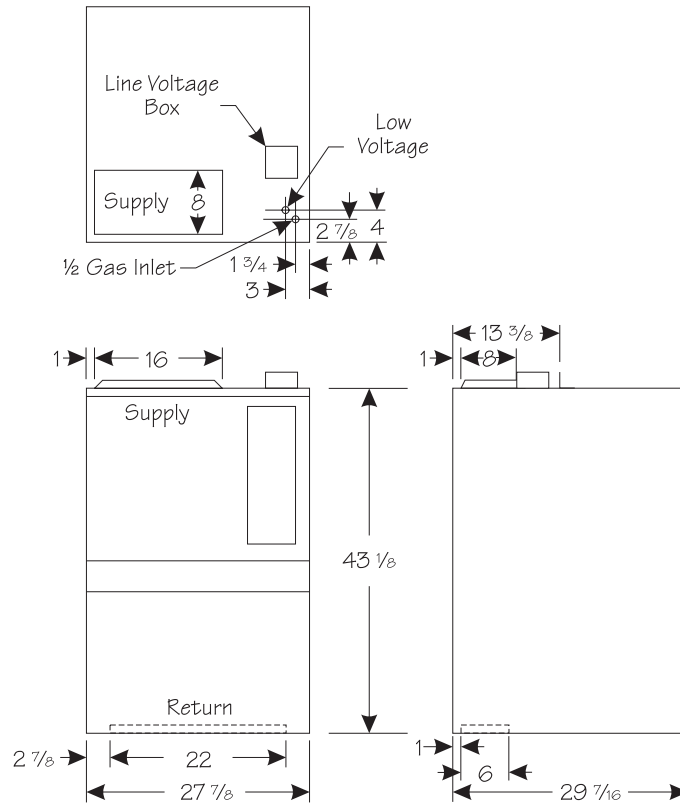
Performance

Model	Cooling					Heating			
	Btuh	SEER	EER	S/T	CFM	Input Btuh	Output Btuh	AFUE	Temp. Rise Range °F
26HWC124	11,200	10.6	9.7	.72	400	26,000	20,000	80%	40-70
38HWC124	11,200	10.6	9.7	.72	400	38,000	30,000	80%	40-70
38HWC184	17,000	10.6	9.3	.72	600	38,000	30,000	80%	40-70
51HWC184	17,000	10.6	9.3	.72	600	51,000	40,000	80%	40-70
64HWC184	17,000	10.6	9.3	.72	600	64,000	50,000	80%	50-80
38HWC244	23,200	10.6	9.2	.74	800	38,000	30,000	80%	40-70
51HWC244	23,200	10.6	9.2	.74	800	51,000	40,000	80%	40-70
64HWC244	23,200	10.6	9.2	.74	800	64,000	50,000	80%	50-80

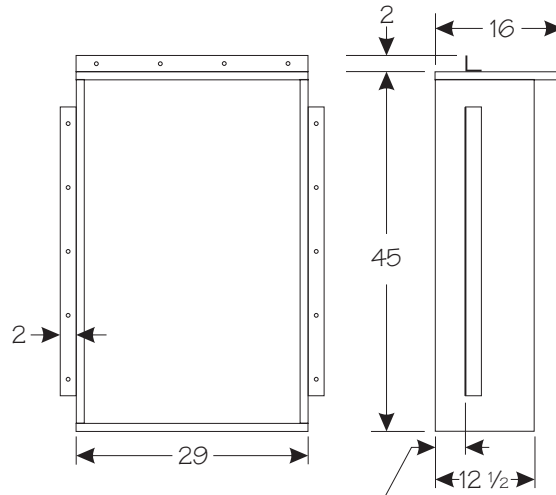
Accessories

Kit Number	Description	Used with
CA-239	Wall Sleeve	All HWC's
ALVR42-1	Decorative External Louver	All HWC's
ADAPT420	Chassis Adapter Kit	All HWC's
A242	Wall Sleeve Adapter Kit	All HWC's
ALPKT389-2	LP Kit	All HWC's

Dimensions (in.)



Wall Sleeve (in.)



Flange may be assembled
1" or 3 3/4" from front of sleeve

All specifications and illustrations
subject to change without notice and
without incurring obligations..

MagicPak® products are manufactured by
Armstrong Air Conditioning Inc.,
a Lennox International Inc. Company
421 Monroe Street • Bellevue, OH 44811
(419) 483-4840
Magic-Pak Product Support (866) 282-7257

