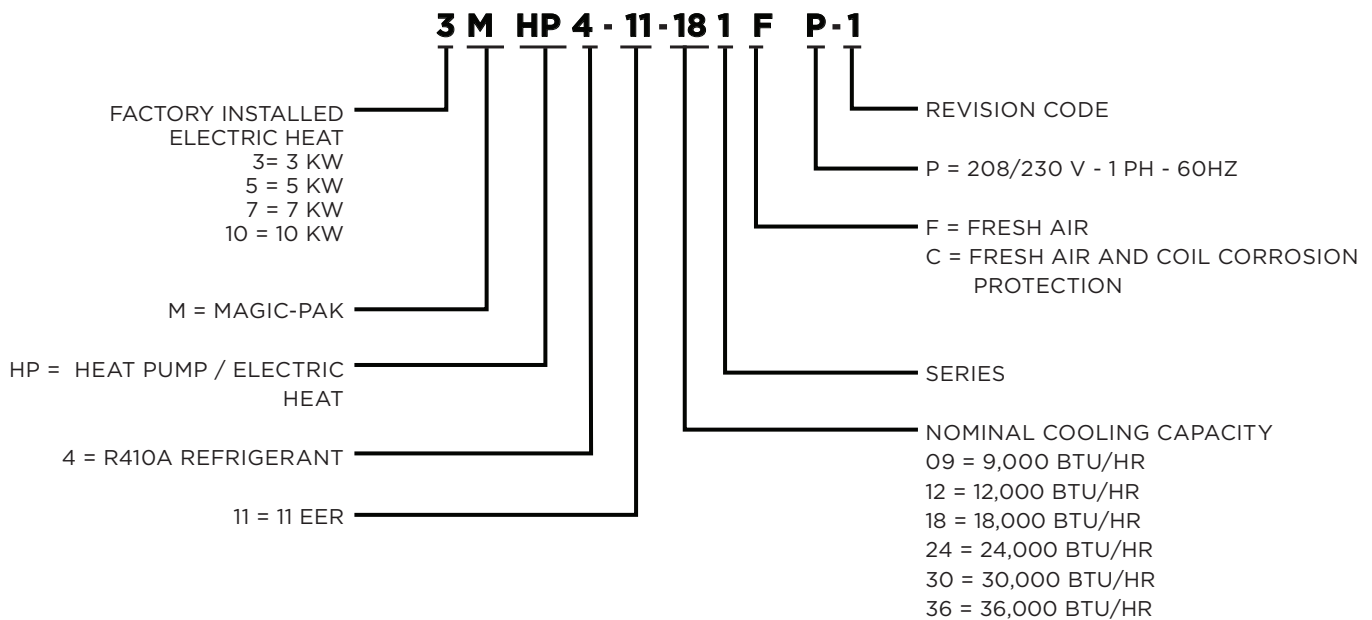


MODEL NUMBER GUIDE



FEATURES AND BENEFITS

WARRANTY

Compressor

Five year limited warranty in all residential and commercial applications.

All other covered components

Five year limited warranty in all residential and commercial applications.

APPROVALS

Units are designed and tested to latest edition of UL 1995 and ANSI Z21.47.

Developed in accordance with AHRI Standard 390 for Single Packaged Vertical units (SPVAC & SPVHP).

Cooling system rated according to DOE test procedures.

Units are certified for the U.S. and Canada.

Units achieve less than 1.4% cabinet air leakage using ASHRAE Standard 193.

Factory installed electric heaters are rated and tested according to DOE test procedures and FTC labeling regulations.

Each unit undergoes a full run test operated at the factory before shipment ensuring dependable operation at start-up.

Products using impact resistant louvers are certified to Miami-Dade County standards (TAS 201, TAS 202, and TAS 203) and carry a Notice of Acceptance (N.O.A.) number of 18-0522.03.

Equipment is wind load certified in accordance with the 2017 Florida Building Code wind load calculations up to 186 MPH, risk categories III and IV, and wind exposures C and D.

APPLICATIONS

Designed for installation in conditioned and non-conditioned mechanical spaces within residential and commercial multifamily structures including apartments, condominiums, student and senior housing, and hotels.

REFRIGERATION SYSTEM

R-410A Refrigerant

Optimized design with 11 EER cooling efficiency/3.3 COP heat pump efficiency. Factory charged with refrigerant.

See Specifications table.

Indoor and Outdoor Coils

Copper tube with aluminum fin coils.

Available with Climate Guard™ epoxy coated indoor and outdoor coils.

Anti-Microbial Indoor Coil Drain Pan

Anti-Microbial additive resists growth of mold and mildew on drain pan which improves indoor air quality and reduces drain line blockage.

Overflow Protection

Includes an evaporator drain pan overflow switch. Monitors condensate level in drain pan, shuts down unit if drain becomes clogged.

Outdoor Coil Fan

Weather protected heavy duty outdoor coil fan motor with aluminum fan blades for long life. Internally mounted. Totally enclosed weatherproof motor.

Reversing Valve (heat pump only)

4-way interchange reversing valve effects a rapid change in direction of refrigerant flow resulting in quick changeover from cooling to heating and vice versa.

Quiet Shift™ Technology

Quiet Shift allows the pressures in the refrigerant system to equalize before shifting into the reverse cycle. This prevents the excessive noise during normal operation. (field enabled)

High Pressure Switch

Shuts off unit if abnormal operating conditions cause the refrigerant discharge pressure to rise above setting.

Loss of Charge Switch

Provides loss of charge protection by shutting off unit if refrigerant liquid pressure falls below setting.

Secondary Drain Pan

Polypropylene unit base provides redundant overflow protection.

SUPPLY AIR BLOWER

ECM Constant Torque Blower Motor

Electrically efficient motor for reduced electrical consumption. Motor provides specified air volume delivery from 0 through 0.50 in. w.g. duct static range. Blower speed adjustment is easily accomplished by speed tap wiring selection. Motor is resiliently mounted for quiet operation. Blower assembly is easily removed for servicing. See Blower Performance tables.

INDOOR AIR QUALITY**Ventilation Air (MHP and MCE only)**

All units come with ventilation air capabilities meeting the volume requirements as shown in the latest edition of ASHRAE 62.2

Units are shipped with ventilation air closed and are manually adjusted during installation.

Optional Motorized Damper (MHP and MCE only)

Optional motorized ventilation air dampers automatically open and close when the blower runs.

Optional Ventilation Air Control

Controls offer the ability to schedule the amount of ventilation air and ensures the operation meets ASHRAE 62.2 requirements for intermittent ventilation air. See Ventilation Air tables.

Internal Filter

Units ship with a 1 in. thick filter from the factory and units have a factory installed 1 in. filter rack. Factory filters are washable.

ELECTRIC HEAT (3 TO 10KW)

Factory installed and internal to unit cabinet.

Multiple kW sizes available.

Compatible with 208 thru 230 voltages.

Helix wound nichrome heating elements exposed directly in air stream resulting in instant heat transfer, low element temperatures and long service life.

Cutoff limit control provides positive protection in case of excessive temperatures.

CONTROLS**Electronic Blower Control**

Dedicated blower speed taps for continuous fan, cooling, and heating operation are programmed for optimal airflow and controlled by 24V thermostat signals. Fixed blower delays have been selected to enhance comfort.

Defrost Control

Defrost control furnished as standard equipment.

Gives a defrost cycle for every 30, 60 or 90 minutes (adjustable) of compressor "on" time at outdoor coil temperatures below freezing.

Units are Quiet Shift™ capable. The compressor is de-energized entering and exiting the defrost cycle, reducing system sounds.

Remote mounted sensor determines when defrost cycle is required and also when to terminate cycle.

Anti-short cycle, timed-off control incorporated into the board.

24 Volt Transformer

40VA transformer furnished and factory installed in control area. Factory wired for 230V applications, optional terminal for 208V applications.

CABINET

Conditioned areas insulated with 0.5 in. insulation to minimize heat loss and reduce operating sound levels. Polystyrene insulation in outdoor section of cabinet is weather resistant and provides reduced sound levels. Embossed steel cabinet for maximum durability.

Easy forward-facing service access.

Pre-bent duct flange connections.

Tool-less filter access.

Airflow Choice

Units are factory shipped ready for top supply and return duct connections.

Heat pump and cooling only models have the option of a free return configuration which may utilize the top return duct connection point, or the optional front return.

Electrical Inlets and Service Valves

Field wiring inlets are located on the top of the cabinet. See Dimension drawing.

Gauge ports located inside compressor service compartment of the cabinet.

OTHER ACCESSORIES**Wall Sleeves**

Required for all installations. Wall sleeves penetrate the building envelope and create a path for condenser air intake and exhaust, as well as flue gas exhaust on gas heating models. The wall sleeves complete the building envelope by creating a seal to the equipment and provides a secure attachment foundation for external louvers. Wall sleeves are available in a minimum depth of 6 in. and a maximum depth of 18 in.

Wall sleeve bases are polypropylene and specifically designed to act as a drain pan to direct rain water out of the building as well as handle any overflow from condensation generated by the condensing section of the system (in the event of a clogged primary drain). Larger height wall sleeves may be used on smaller tonnage equipment to maintain a consistent louver size on the building's façade. No tools required for wall sleeve assembly. Refer to the application guide and wall sleeve installation instructions.

Architectural Aluminum Louver

Louvers are required for all installations. Aluminum louvers offer a more robust grill on the building's façade and a wider range of standard colors. Louvers are painted with 70% fluoropolymer and meets AAMA 2605 specifications, and carry a 20 year paint warranty*. Custom color matching is also available. 6063-T6 grade aluminum is used.

Architectural Polypropylene Louver

Louvers are required for all installations. Polypropylene louvers are constructed from durable, corrosion resistant plastic and are available in four colors to compliment any architectural design.

Impact Resistant Aluminum Louver

Impact resistant aluminum louvers offer the most protection for a structure and used for areas that will experience extreme winds. Certified to Miami-Dade County building standards, the louvers are ideal for hurricane prone areas. Impact louvers are available in a wide range of standard colors. Louvers are painted with 70% fluoropolymer and meets AAMA 2605 specifications, and carry a 20 year paint warranty. Custom color matching is also available. 6063-T6 grade aluminum is used. Miami-Dade NOA# 18-0522.03. See application guide for details.

Crank Case Heater

Available field installed accessory provides additional compressor start up protection by reducing off cycle liquid refrigerant migration during low ambient conditions.

** Certain exclusions apply. Refer to louver manufacture's warranty documentation.*

ELECTRICAL AND PHYSICAL DATA (208/230V - 1 PHASE - 60 HZ)¹

Model	Minimum Circuit Ampacity				MOCP ²				Compressor		Outside Fan			Indoor Blower			R410A Refrigerant Charge (oz)	Approx. Shipping Weight (lbs)	
	Circuit 1		Circuit 2		Circuit 1		Circuit 2		Rated Load Amps	Locked Rotor Amps	Dia. (in.)	Nominal RPM	Rated Load Amps	Rated HP	Wheel D x W (in.)	Rated Load Amps			Rated HP
	208V	230V	208V	230V	208V	230V	208V	230V											
3MHP4-11-091*P	23.0	25.5	--	--	25	30	--	--	3.5	21.0	16	1,100	0.9	1/8	9 x 6	2.8	1/3	44	192
5MHP4-11-091*P	28.4	31.8	--	--	30	35	--	--											
3MHP4-11-121*P	24.2	26.7	--	--	25	30	--	--	5.0	27.0	16	1,125	0.9	1/8	9 x 6	2.8	1/3	52	202
5MHP4-11-121*P	29.6	32.9	--	--	30	35	--	--											
3MHP4-11-181*P	26.6	29.1	--	--	30	30	--	--	6.5	37.5	16	1,125	0.9	1/8	9 x 6	2.8	1/3	80	219
5MHP4-11-181*P	32.0	35.3	--	--	35	40	--	--											
7MHP4-11-181*P	42.8	47.8	--	--	45	50	--	--											
10MHP4-11-181*P	10.3	10.3	43.3	50.0	15	15	45	50											
5MHP4-11-241*P	37.4	40.8	--	--	40	45	--	--	10.1	52.0	18	1,100	0.9	1/4	9 x 6	4.1	1/3	82	268
7MHP4-11-241*P	48.3	53.3	--	--	50	60	--	--											
10MHP4-11-241*P	15.8	15.8	43.3	50.0	25	25	45	50											
5MHP4-11-301*P	41.9	45.2	--	--	50	50	--	--	15.0	72.5	18	1,100	1.6	1/4	10 x 8	4.1	1/2	60	271
7MHP4-11-301*P	20.2	20.2	32.5	37.5	30	30	35	40											
10MHP4-11-301*P	20.2	20.2	43.3	50.0	30	30	45	50											
5MHP4-11-361*P	44.4	47.7	--	--	50	50	--	--	14.7	75.0	18	1,100	1.6	1/4	10 x 8	4.1	1/2	102	298
7MHP4-11-361*P	22.7	22.7	32.5	37.5	35	35	35	40											
10MHP4-11-361*P	22.7	22.7	43.3	50.0	35	35	45	50											

¹ Acceptable voltage range 197-253 V² MOCP = Maximum Overcurrent Protection

PERFORMANCE

Model	Electric Heat @ 240V		Cooling				Heating				
	kW	Btu/hr	Btu/hr	EER	S/T	CFM	47°F		17°F		CFM
							Btu/hr	COP	Btu/hr	COP	
3MHP4-11-091*P	3.6	12,200	8,600	11.0	0.79	350	8,600	3.3	5,200	2.0	350
5MHP4-11-091*P	4.8	16,300									
3MHP4-11-121*P	3.6	12,200	12,000	11.0	0.79	475	11,400	3.3	6,800	2.0	475
5MHP4-11-121*P	4.8	16,300									
3MHP4-11-181*P	3.6	12,200	16,500	11.0	0.77	600	16,200	3.3	9,200	2.0	600
5MHP4-11-181*P	4.8	16,300									
7MHP4-11-181*P	7.2	24,500									
10MHP4-11-181*P	9.6	32,700									
5MHP4-11-241*P	4.8	16,300	22,800	11.0	0.76	800	22,800	3.3	14,000	2.0	800
7MHP4-11-241*P	7.2	24,500									
10MHP4-11-241*P	9.6	32,700									
5MHP4-11-301*P	4.8	16,300	28,200	11.0	0.75	1,025	26,200	3.3	16,400	2.0	1,025
7MHP4-11-301*P	7.2	24,500									
10MHP4-11-301*P	9.6	32,700									
5MHP4-11-361*P	4.8	16,300	34,600	11.0	0.75	1,200	32,400	3.3	20,400	2.0	1,200
7MHP4-11-361*P	7.2	24,500									
10MHP4-11-361*P	9.6	32,700									

ELECTRIC HEAT DATA

Model	Input Voltage								
	240			230			208		
	kW/Hr	Btuh	Amps	kW/Hr	Btuh	Amps	kW/Hr	Btuh	Amps
3kW	3.60	12,284	15.00	3.31	11,281	14.38	2.70	9,226	13.00
5kW	4.80	16,378	20.00	4.41	15,042	19.17	3.61	12,302	17.33
7kW	7.20	24,567	30.00	6.61	22,563	28.75	5.41	18,453	26.00
10kW	9.60	32,757	40.00	8.82	30,084	38.33	7.21	24,604	34.67

BLOWER PERFORMANCE (208 OR 230V)

AIRFLOW PERFORMANCE AS A FUNCTION OF EXTERNAL STATIC PRESSURE																	
Model	Indoor Blower Speed	0.1" w.c.			0.2" w.c.			0.3" w.c.			0.4 "w.c.			0.5" w.c.			
		SCFM	Watts	HP	SCFM	Watts	HP	SCFM	Watts	HP	SCFM	Watts	HP	SCFM	Watts	HP	
*MHP4-11-091*P	TAP 1 (FAN)	365	28	0.04	330	31	0.04	275	35	0.05	225	38	0.05	180	41	0.05	
	TAP 2 (COOL) [†]	375	28	0.04	325	32	0.04	275	35	0.05	N/A	N/A	N/A	N/A	N/A	N/A	
	TAP 3 (COOL)	N/A	N/A	N/A	N/A	N/A	N/A	395	54	0.07	370	58	0.08	330	62	0.08	
	3 kW	TAP 4 (HEAT) [*]	515	55	0.07	485	58	0.08	450	62	0.08	N/A	N/A	N/A	N/A	N/A	N/A
		TAP 5 (HEAT)	600	73	0.10	570	78	0.10	545	84	0.11	515	88	0.12	475	92	0.12
	5 kW	TAP 4 (HEAT) [*]	570	69	0.09	545	73	0.10	515	77	0.10	N/A	N/A	N/A	N/A	N/A	N/A
		TAP 5 (HEAT)	660	92	0.12	635	98	0.13	605	104	0.14	580	109	0.15	550	114	0.15
*MHP4-11-121*P	TAP 1 (FAN)	365	28	0.04	330	31	0.04	275	35	0.05	225	38	0.05	180	41	0.05	
	TAP 2 (COOL) [†]	490	50	0.07	460	55	0.07	420	59	0.08	N/A	N/A	N/A	N/A	N/A	N/A	
	TAP 3 (COOL)	N/A	N/A	N/A	555	77	0.10	525	82	0.11	495	86	0.12	460	91	0.12	
	3 kW	TAP 4 (HEAT) [*]	515	55	0.07	485	58	0.08	450	62	0.08	N/A	N/A	N/A	N/A	N/A	N/A
		TAP 5 (HEAT)	600	73	0.10	570	78	0.10	545	84	0.11	515	88	0.12	475	92	0.12
	5 kW	TAP 4 (HEAT) [*]	570	69	0.09	545	73	0.10	515	77	0.10	N/A	N/A	N/A	N/A	N/A	N/A
		TAP 5 (HEAT)	660	92	0.12	635	98	0.13	605	104	0.14	580	109	0.15	550	114	0.15
*MHP4-11-181*P	TAP 1 (FAN)	365	32	0.04	335	35	0.05	280	39	0.05	235	42	0.06	175	46	0.06	
	TAP 2 (COOL) [†]	615	103	0.14	590	108	0.14	555	112	0.15	530	117	0.16	500	121	0.16	
	TAP 3 (COOL)	700	135	0.18	670	141	0.19	640	146	0.20	615	151	0.20	590	157	0.21	
	3 kW	TAP 4 (HEAT) [*]	615	93	0.12	590	97	0.13	555	101	0.14	N/A	N/A	N/A	N/A	N/A	N/A
		TAP 5 (HEAT)	715	127	0.17	685	134	0.18	655	140	0.19	630	146	0.20	600	151	0.20
	5 kW	TAP 4 (HEAT) [*]	665	110	0.15	635	114	0.15	605	118	0.16	N/A	N/A	N/A	N/A	N/A	N/A
		TAP 5 (HEAT)	750	148	0.20	725	154	0.21	700	160	0.21	675	166	0.22	650	171	0.23
	7 kW	TAP 4 (HEAT) [*]	725	137	0.18	705	144	0.19	675	150	0.20	N/A	N/A	N/A	N/A	N/A	N/A
		TAP 5 (HEAT)	825	194	0.26	800	200	0.27	780	205	0.27	755	209	0.28	725	213	0.29
	10 kW	TAP 4 (HEAT) [*]	750	148	0.20	725	154	0.21	700	161	0.22	N/A	N/A	N/A	N/A	N/A	N/A
TAP 5 (HEAT)		860	213	0.29	832	219	0.29	805	224	0.30	780	228	0.31	750	232	0.31	
*MHP4-11-241*P	TAP 1 (FAN)	460	43	0.06	420	47	0.06	380	51	0.07	350	54	0.07	290	59	0.08	
	TAP 2 (COOL) [†]	815	150	0.20	785	161	0.22	760	165	0.22	740	172	0.23	715	178	0.24	
	TAP 3 (COOL)	885	201	0.27	860	208	0.28	835	213	0.29	805	217	0.29	785	220	0.30	
	5 kW	TAP 4 (HEAT) [*]	800	146	0.20	775	152	0.20	750	157	0.21	N/A	N/A	N/A	N/A	N/A	N/A
		TAP 5 (HEAT)	905	201	0.27	880	207	0.28	855	212	0.28	825	216	0.29	800	219	0.29
	7 kW	TAP 4 (HEAT) [*]	855	174	0.23	830	179	0.24	800	183	0.25	N/A	N/A	N/A	N/A	N/A	N/A
		TAP 5 (HEAT)	955	227	0.30	930	231	0.31	900	235	0.32	875	239	0.32	850	243	0.33
	10 kW	TAP 4 (HEAT) [*]	855	174	0.23	830	179	0.24	800	183	0.25	N/A	N/A	N/A	N/A	N/A	N/A
		TAP 5 (HEAT)	955	227	0.30	930	231	0.31	900	235	0.32	875	239	0.32	850	243	0.33

N/A: Do not operate unit using this blower speed at this external static pressure.

[†] As shipped speed for Cooling operation. Blower speed must be field adjusted to Speed Tap 3 for higher duct static applications.

^{*} As shipped speed for Heating operation. Blower speed must be field adjusted to Speed Tap 5 for higher duct static applications.

BLOWER PERFORMANCE CONTINUED (208 OR 230V)

AIRFLOW PERFORMANCE AS A FUNCTION OF EXTERNAL STATIC PRESSURE																	
Model	Indoor Blower Speed	0.1" w.c.			0.2" w.c.			0.3" w.c.			0.4" w.c.			0.5" w.c.			
		SCFM	Watts	HP	SCFM	Watts	HP	SCFM	Watts	HP	SCFM	Watts	HP	SCFM	Watts	HP	
*MHP4-11-301*P	TAP 1 (FAN)	590	43	0.06	535	48	0.06	430	55	0.07	380	60	0.08	315	65	0.09	
	TAP 2 (COOL)†	1040	161	0.22	1005	169	0.23	970	177	0.24	935	185	0.25	900	193	0.26	
	TAP 3 (COOL)	1135	201	0.27	1105	211	0.28	1070	220	0.30	1040	229	0.31	1010	237	0.32	
	5 kW	TAP 4 (HEAT)*	1075	151	0.20	1040	159	0.21	1005	168	0.23	N/A	N/A	N/A	N/A	N/A	N/A
		TAP 5 (HEAT)	1165	181	0.24	1135	193	0.26	1100	205	0.27	1065	216	0.29	1025	225	0.30
	7 kW	TAP 4 (HEAT)*	1075	151	0.20	1040	159	0.21	1005	168	0.23	N/A	N/A	N/A	N/A	N/A	N/A
		TAP 5 (HEAT)	1165	181	0.24	1135	193	0.26	1100	205	0.27	1065	216	0.29	1025	225	0.30
	10 kW	TAP 4 (HEAT)*	1075	151	0.20	1040	159	0.21	1005	168	0.23	N/A	N/A	N/A	N/A	N/A	N/A
		TAP 5 (HEAT)	1165	181	0.24	1135	193	0.26	1100	205	0.27	1065	216	0.29	1025	225	0.30
*MHP4-11-361*P	TAP 1 (FAN)	680	61	0.08	630	68	0.09	575	74	0.10	525	79	0.11	460	86	0.12	
	TAP 2 (COOL)†	1235	260	0.35	1200	272	0.36	1165	284	0.38	1135	295	0.40	1100	305	0.41	
	TAP 3 (COOL)	1315	304	0.41	1280	316	0.42	1250	330	0.44	1215	342	0.46	1180	354	0.47	
	5 kW	TAP 4 (HEAT)*	1240	232	0.31	1205	248	0.33	1170	262	0.35	N/A	N/A	N/A	N/A	N/A	N/A
		TAP 5 (HEAT)	1340	283	0.38	1290	300	0.40	1260	315	0.42	1230	328	0.44	1200	338	0.45
	7 kW	TAP 4 (HEAT)*	1240	232	0.31	1205	248	0.33	1170	262	0.35	N/A	N/A	N/A	N/A	N/A	N/A
		TAP 5 (HEAT)	1340	283	0.38	1290	300	0.40	1260	315	0.42	1230	328	0.44	1200	338	0.45
	10 kW	TAP 4 (HEAT)*	1240	232	0.31	1205	248	0.33	1170	262	0.35	N/A	N/A	N/A	N/A	N/A	N/A
		TAP 5 (HEAT)	1340	283	0.38	1290	300	0.40	1260	315	0.42	1230	328	0.44	1200	338	0.45

N/A: Do not operate unit using this blower speed at this external static pressure.

† As shipped speed for Cooling operation. Blower speed must be field adjusted to Speed Tap 3 for higher duct static applications.

* As shipped speed for Heating operation. Blower speed must be field adjusted to Speed Tap 5 for higher duct static applications.

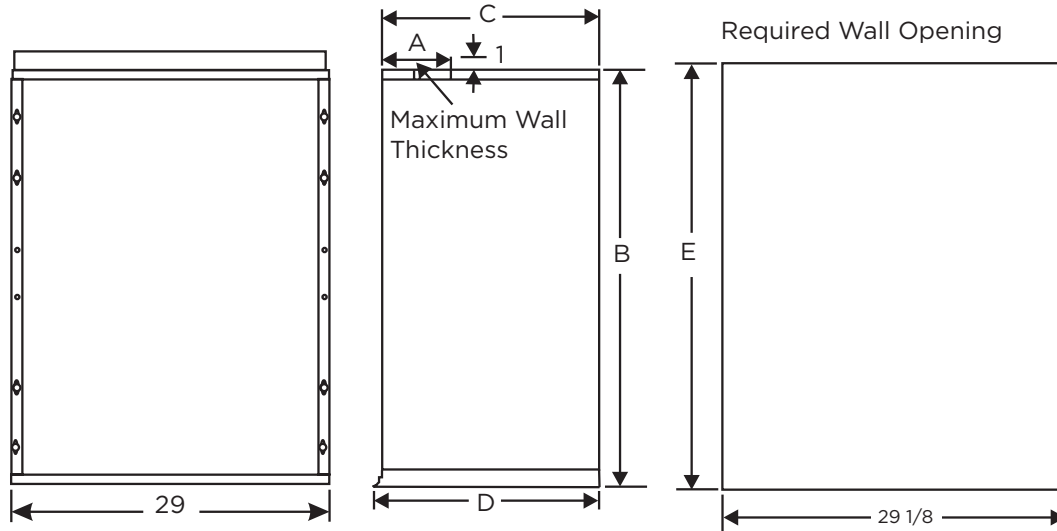
HEATING PERFORMANCE EXTENDED RATINGS

Model	Outdoor Temperature - DB / WB (°F)									
	0 / 0		17 / 15		35 / 33		47 / 43		62 / 56	
	Btu/hr	kW	Btu/hr	kW	Btu/hr	kW	Btu/hr	kW	Btu/hr	kW
*MHP4-11-091*P	N/A	N/A	5,100	0.71	7,200	0.74	8,600	0.76	10,300	0.79
*MHP4-11-121*P	N/A	N/A	6,600	0.93	9,500	0.98	11,400	1.01	13,800	1.05
*MHP4-11-181*P	N/A	N/A	9,400	1.28	13,500	1.38	16,200	1.44	19,600	1.52
*MHP4-11-241*P	N/A	N/A	14,200	1.95	19,300	2.00	22,800	2.02	27,100	2.06
*MHP4-11-301*P	N/A	N/A	16,000	2.18	22,100	2.27	26,200	2.33	31,300	2.40
*MHP4-11-361*P	N/A	N/A	20,400	2.69	27,600	2.80	32,400	2.88	38,400	2.97

COOLING PERFORMANCE EXTENDED RATINGS

Model	Indoor Temp DB/WB (°F)	Outdoor Temperature - DB (°F)														
		65			85			95			105			115		
		Btu/hr	S/T	kW	Btu/hr	S/T	kW	Btu/hr	S/T	kW	Btu/hr	S/T	kW	Btu/hr	S/T	kW
*MHP4-11-091*P	85/72	10,800	0.64	0.62	9,900	0.68	0.72	9,400	0.70	0.77	8,700	0.74	0.85	8,000	0.77	0.94
	80/67	10,200	0.70	0.61	9,100	0.76	0.72	8,600	0.79	0.77	7,900	0.82	0.84	7,200	0.85	0.91
	75/63	9,500	0.74	0.61	8,400	0.79	0.72	7,900	0.82	0.77	7,100	0.86	0.83	6,400	0.90	0.89
	75/57	8,800	1.00	0.61	7,700	1.00	0.71	7,200	1.00	0.76	6,700	1.00	0.83	6,100	1.00	0.89
*MHP4-11-121*P	85/72	15,100	0.64	0.82	13,700	0.67	1.01	13,000	0.69	1.10	12,000	0.73	1.21	11,000	0.76	1.32
	80/67	14,100	0.72	0.82	12,700	0.77	1.00	12,000	0.79	1.09	11,000	0.83	1.19	9,900	0.86	1.29
	75/63	13,300	0.74	0.82	11,800	0.79	0.99	11,000	0.81	1.07	9,900	0.86	1.17	8,800	0.90	1.27
	75/57	12,100	1.00	0.81	10,800	1.00	0.98	10,200	1.00	1.06	9,300	1.00	1.16	8,500	1.00	1.26
*MHP4-11-181*P	85/72	20,500	0.60	1.14	18,800	0.65	1.38	17,900	0.67	1.50	16,400	0.72	1.64	14,900	0.77	1.78
	80/67	19,300	0.67	1.13	17,400	0.74	1.38	16,500	0.77	1.50	14,900	0.82	1.63	13,200	0.86	1.77
	75/63	18,300	0.72	1.13	16,300	0.77	1.36	15,300	0.80	1.48	13,600	0.85	1.61	11,800	0.90	1.74
	75/57	16,600	1.00	1.13	14,900	1.00	1.36	14,000	1.00	1.47	12,900	1.00	1.60	11,700	1.00	1.74
*MHP4-11-241*P	85/72	27,900	0.60	1.54	25,800	0.65	1.89	24,700	0.67	2.06	23,000	0.70	2.28	21,400	0.73	2.50
	80/67	26,200	0.67	1.55	23,900	0.73	1.90	22,800	0.76	2.07	20,900	0.80	2.29	19,000	0.84	2.50
	75/63	24,800	0.71	1.55	22,400	0.76	1.88	21,200	0.79	2.05	19,100	0.84	2.26	17,100	0.88	2.48
	75/57	22,700	1.00	1.55	20,300	1.00	1.88	19,200	1.00	2.04	17,700	1.00	2.26	16,200	1.00	2.49
*MHP4-11-301*P	85/72	33,000	0.64	1.92	31,700	0.66	2.37	31,100	0.67	2.59	29,200	0.69	2.90	27,300	0.71	3.20
	80/67	32,000	0.70	1.91	29,500	0.73	2.35	28,200	0.75	2.56	26,600	0.78	2.85	25,100	0.80	3.13
	75/63	31,100	0.72	1.90	28,800	0.76	2.33	27,700	0.78	2.54	25,400	0.81	2.83	23,200	0.84	3.11
	75/57	27,900	1.00	1.87	26,600	1.00	2.30	25,900	1.00	2.51	24,000	1.00	2.80	22,100	1.00	3.10
*MHP4-11-361*P	85/72	41,300	0.63	2.27	38,400	0.66	2.80	36,900	0.67	3.06	34,500	0.70	3.37	32,200	0.72	3.68
	80/67	39,200	0.69	2.25	36,100	0.73	2.77	34,600	0.75	3.04	32,000	0.78	3.34	29,500	0.81	3.64
	75/63	37,300	0.72	2.25	33,800	0.76	2.75	32,100	0.78	2.99	29,500	0.81	3.29	27,000	0.84	3.59
	75/57	33,900	1.00	2.25	31,100	1.00	2.73	29,700	1.00	2.97	27,600	1.00	3.27	25,500	1.00	3.58

ACCESSORIES DIMENSIONS (IN.)



ACCESSORIES

Accessory		Nomenclature	Magic-Pak Unit						Dimensions (in)				
			*MHP4-11-091*P	*MHP4-11-121*P	*MHP4-11-181*P	*MHP4-11-241*P	*MHP4-11-301*P	*MHP4-11-361*P	A	B	C	D	E
6" Wall Sleeve Kit	for 29" Louver	WSLEEVE6-1	•	•	•			6	29	16	16-5/8	29-1/8	
	for 33" Louver	WSLEEVE6-2	•	•	•	•	•	6	32-3/4	16	16-5/8	32-7/8	
	for 45" Louver	WSLEEVE6-3	•	•	•	•	•	•	6	45	16	16-5/8	45-1/8
8" Wall Sleeve Kit	for 29" Louver	WSLEEVE8-1	•	•	•			8	29	16	16-5/8	29-1/8	
	for 33" Louver	WSLEEVE8-2	•	•	•	•	•	8	32-3/4	16	16-5/8	32-7/8	
	for 45" Louver	WSLEEVE8-3	•	•	•	•	•	•	8	45	16	16-5/8	45-1/8
10" Wall Sleeve Kit	for 29" Louver	WSLEEVE10-1	•	•	•			10	29	16	16-5/8	29-1/8	
	for 33" Louver	WSLEEVE10-2	•	•	•	•	•	10	32-3/4	16	16-5/8	32-7/8	
	for 45" Louver	WSLEEVE10-3	•	•	•	•	•	•	10	45	16	16-5/8	45-1/8
12" Wall Sleeve Kit	for 29" Louver	WSLEEVE12-1	•	•	•			12	29	16	16-5/8	29-1/8	
	for 33" Louver	WSLEEVE12-2	•	•	•	•	•	12	32-3/4	16	16-5/8	32-7/8	
	for 45" Louver	WSLEEVE12-3	•	•	•	•	•	•	12	45	16	16-5/8	45-1/8
14" Wall Sleeve Kit	for 29" Louver	WSLEEVE14-1	•	•	•			14	29	22	22-5/8	29-1/8	
	for 33" Louver	WSLEEVE14-2	•	•	•	•	•	14	32-3/4	22	22-5/8	32-7/8	
	for 45" Louver	WSLEEVE14-3	•	•	•	•	•	•	14	45	22	22-5/8	45-1/8
16" Wall Sleeve Kit	for 29" Louver	WSLEEVE16-1	•	•	•			16	29	22	22-5/8	29-1/8	
	for 33" Louver	WSLEEVE16-2	•	•	•	•	•	16	32-3/4	22	22-5/8	32-7/8	
	for 45" Louver	WSLEEVE16-3	•	•	•	•	•	•	16	45	22	22-5/8	45-1/8
18" Wall Sleeve Kit	for 29" Louver	WSLEEVE18-1	•	•	•			18	29	22	22-5/8	29-1/8	
	for 33" Louver	WSLEEVE18-2	•	•	•	•	•	18	32-3/4	22	22-5/8	32-7/8	
	for 45" Louver	WSLEEVE18-3	•	•	•	•	•	•	18	45	22	22-5/8	45-1/8
Thru-The-Wall-Sleeve-Kit		ASLEEVE-3	•	•				N/A	45	16	16-5/8	45-1/8	

ACCESSORIES CONTINUED

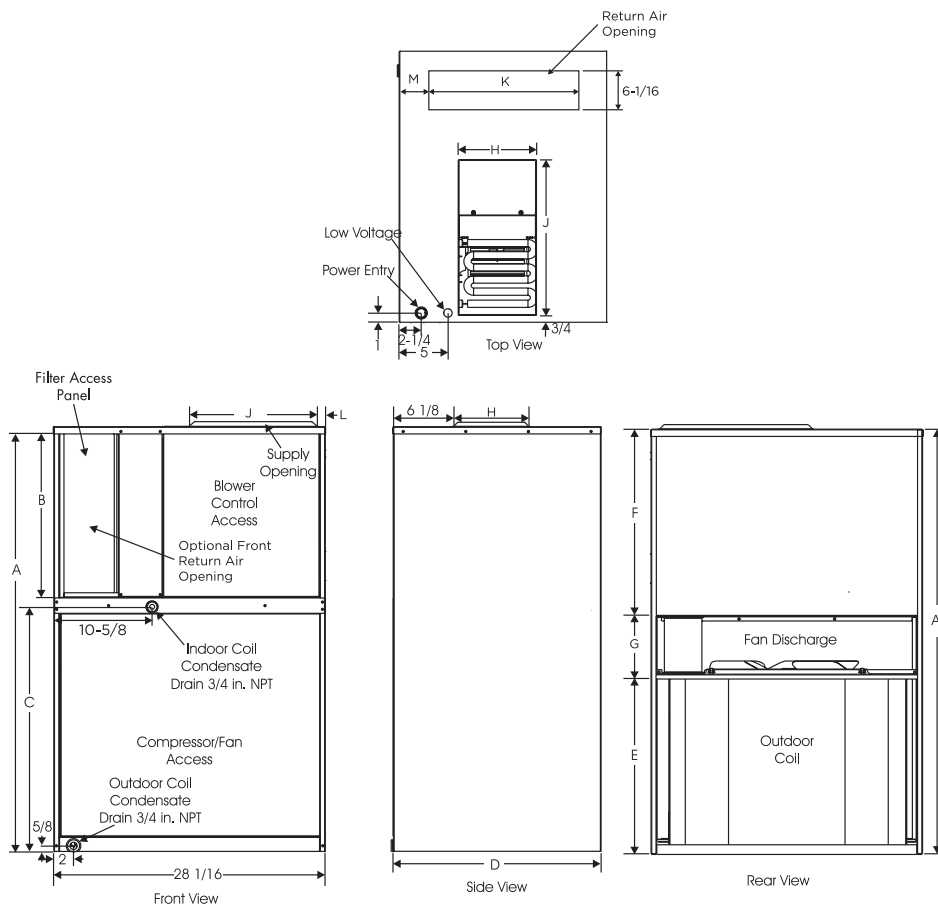
	Accessory	Nomenclature	Magic-Pak Unit					
			*MHP4-11-091*P	*MHP4-11-121*P	*MHP4-11-181*P	*MHP4-11-241*P	*MHP4-11-301*P	*MHP4-11-361*P
Polypropylene Louvers	Polypropylene Louver Kit - White (29" Height)	ALVRPWHT-1	•	•	•			
	Polypropylene Louver Kit - White (33" Height)	ALVRPWHT-2	•	•	•	•	•	
	Polypropylene Louver Kit - White (45" Height)	ALVRPWHT-3	•	•	•			
	Polypropylene Louver Kit - White (45" Height)	ALVRPWHT-4				•	•	•
	Polypropylene Louver Kit - Sandstone (29" Height)	ALVRPSAN-1	•	•	•			
	Polypropylene Louver Kit - Sandstone (33" Height)	ALVRPSAN-2	•	•	•	•	•	
	Polypropylene Louver Kit - Sandstone (45" Height)	ALVRPSAN-3	•	•	•			
	Polypropylene Louver Kit - Sandstone (45" Height)	ALVRPSAN-4				•	•	•
	Polypropylene Louver Kit - Beige (29" Height)	ALVRPBGE-1	•	•	•			
	Polypropylene Louver Kit - Beige (33" Height)	ALVRPBGE-2	•	•	•	•	•	
	Polypropylene Louver Kit - Beige (45" Height)	ALVRPBGE-3	•	•	•			
	Polypropylene Louver Kit - Beige (45" Height)	ALVRPBGE-4				•	•	•
	Polypropylene Louver Kit - Taupestone (29" Height)	ALVRPTPST-1	•	•	•			
	Polypropylene Louver Kit - Taupestone (33" Height)	ALVRPTPST-2	•	•	•	•	•	
	Polypropylene Louver Kit - Taupestone (45" Height)	ALVRPTPST-3	•	•	•			
	Polypropylene Louver Kit - Taupestone (45" Height)	ALVRPTPST-4				•	•	•
Aluminum Louvers	Extruded Aluminum Louver Kit (29" Height)	ALVRAL-1	•	•	•			
	Extruded Aluminum Louver Kit - Custom Color (29" Height)	ALVRAL-1P	•	•	•			
	Extruded Aluminum Louver Kit (33" Height)	ALVRAL-2	•	•	•	•	•	
	Extruded Aluminum Louver Kit - Custom Color (33" Height)	ALVRAL-2P	•	•	•	•	•	
	Extruded Aluminum Louver Kit (45" Height)	ALVRAL-3	•	•	•			
	Extruded Aluminum Louver Kit - Custom Color (45" Height)	ALVRAL-3P	•	•	•			
	Extruded Aluminum Louver Kit (45" Height)	ALVRAL-4				•	•	•
Impact Rated Louvers	Extruded Aluminum Louver Kit - Impact Rated (29" Height)	ALVRALC-1	•	•	•			
	Extruded Aluminum Louver Kit - Impact Rated / Custom Color (29" Height)	ALVRALC-1P	•	•	•			
	Extruded Aluminum Louver Kit - Impact Rated (33" Height)	ALVRALC-2	•	•	•	•	•	
	Extruded Aluminum Louver Kit - Impact Rated / Custom Color (33" Height)	ALVRALC-2P	•	•	•	•	•	
	Extruded Aluminum Louver Kit - Impact Rated (45" Height)	ALVRALC-3	•	•	•			
	Extruded Aluminum Louver Kit - Impact Rated / Custom Color (45" Height)	ALVRALC-3P	•	•	•			
	Extruded Aluminum Louver Kit - Impact Rated (45" Height)	ALVRALC-4				•	•	•
	Extruded Aluminum Louver Kit - Impact Rated / Custom Color (45" Height)	ALVRALC-4P				•	•	•
Other	Crank Case Heater	ACASE841				•	•	•

UNIT FILTER SIZE

Model	Filter Dimensions
*MHP4-11-091*P *MHP4-11-121*P	18 X 20 X 1
*MHP4-11-181*P	20 X 20 X 1
*MHP4-11-241*P *MHP4-11-301*P	24 X 22 X 1
*MHP4-11-361*P	28 X 22 X 1

DIMENSIONS (IN.)

Model	A	B	C	D	E	F	G	H	J	K	L	M
*MHP4-11-091*P *MHP4-11-121*P	43-7/8	16-7/8	25-1/4	21-1/2	18-5/8	19-1/4	6	8	16	17-1/16	3/4	2-1/4
*MHP4-11-181*P	47-7/8	18-7/8	27-1/4	21-1/2	20-5/8	21-1/4	6	8	16	19-1/16	3/4	2-1/4
*MHP4-11-241*P *MHP4-11-301*P	55-7/8	22-7/8	31-1/4	24-1/2	24-5/8	25-1/4	6	11-3/8	10-7/16	22-7/16	3-3/4	1
*MHP-11-361*P	67-7/8	26-7/8	35-1/4	24-1/2	28-5/8	29-1/4	10	11-3/8	10-7/16	22-7/16	3-3/4	1



215 Metropolitan Drive | West Columbia, SC 29170
800-448-5872
Product Support 866-282-7257

All specifications and illustrations subject to change without notice and without incurring obligations.