



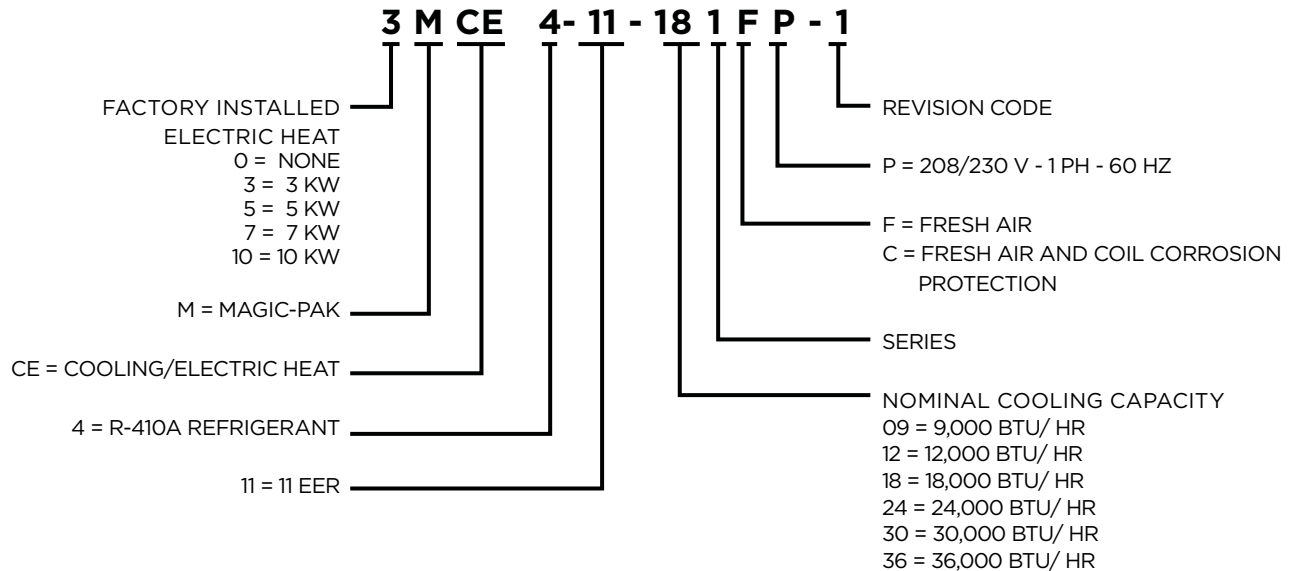
ELECTRIC COOLING / ELECTRIC HEATING
PACKAGED UNITS

M-SERIES™
MCE4

FORM NO. MCE4-100 (09/2019)



MODEL NUMBER GUIDE



FEATURES AND BENEFITS

WARRANTY

Compressor

Five year limited warranty in all residential and commercial applications.

All other covered components

Five year limited warranty in all residential and commercial applications.

APPROVALS

Units are design certified by ETL Intertek to latest edition of UL 1995 and ANSI Z21.47.

AHRI Certified to AHRI Standard 390 for Single Packaged Vertical units (SPVAC & SPVHP).

Cooling system rated according to DOE test procedures, and are certified by AHRI.

Units are ETL certified for the U.S. and Canada.

Units are ETL Intertek certified for less than 1.4% cabinet air leakage using ASHRAE Standard 193.

Factory installed electric heaters are ETL listed for the U.S. and Canada and are rated and tested according to DOE test procedures and FTC labeling regulations.

Each unit undergoes a full run test operated at the factory before shipment ensuring dependable operation at start-up.

Products using impact resistant louvers are certified to Miami-Dade County standards (TAS 201, TAS 202, and TAS 203) and carry a Notice of Acceptance (N.O.A.) number of 18-0522.03.

Equipment is wind load certified in accordance with the 2017 Florida Building Code wind load calculations up to 186 MPH, risk categories III and IV, and wind exposures C and D.

APPLICATIONS

Designed for installation in conditioned and non-conditioned mechanical spaces within residential and commercial multifamily structures including apartments, condominiums, student and senior housing, and hotels.

REFRIGERATION SYSTEM

R-410A Refrigerant

Optimized design with 11 EER cooling efficiency. Factory charged with refrigerant. See Specifications table.

Indoor and Outdoor Coils

Copper tube with aluminum fin coils.

Available with Climate Guard™ epoxy coated indoor and outdoor coils.

Anti-Microbial Indoor Coil Drain Pan

Anti-Microbial additive resists growth of mold and mildew on drain pan which improves indoor air quality and reduces drain line blockage.

Overflow Protection

Includes an evaporator drain pan overflow switch. Monitors condensate level in drain pan, shuts down unit if drain becomes clogged.

Outdoor Coil Fan

Weather protected heavy duty outdoor coil fan motor with aluminum fan blades for long life. Internally mounted. Totally enclosed weatherproof motor.

High Pressure Switch

Shuts off unit if abnormal operating conditions cause the refrigerant discharge pressure to rise above setting.

Loss of Charge Switch

Provides loss of charge protection by shutting off unit if refrigerant liquid pressure falls below setting.

Secondary Drain Pan

Polypropylene unit base provides redundant overflow protection.

SUPPLY AIR BLOWER

ECM Constant Torque Blower Motor

Electrically efficient motor for reduced electrical consumption. Motor provides specified air volume delivery from 0 through 0.50 in. w.g. duct static range. Blower speed adjustment is easily accomplished by speed tap wiring selection. Motor is resiliently mounted for quiet operation. Blower assembly is easily removed for servicing. See Blower Performance tables.

INDOOR AIR QUALITY**Ventilation Air (MHP and MCE only)**

All units come with ventilation air capabilities meeting the volume requirements as shown in the latest edition of ASHRAE 62.2

Units are shipped with ventilation air closed and are manually adjusted during installation.

Optional Motorized Damper (MHP and MCE only)

Optional motorized ventilation air dampers automatically open and close when the blower runs.

Optional Ventilation Air Control

Controls offer the ability to schedule the amount ventilation air and ensures the operation meets ASHRAE 62.2 requirements for intermittent ventilation air. See Ventilation Air tables

Internal Filter

Units ship with a 1 in. thick filter from the factory and units have a factory installed 1 in. filter rack. Factory filters are washable.

ELECTRIC HEAT (3 TO 10KW)

Factory installed and internal to unit cabinet.

Multiple kW sizes available.

Compatible with 208 thru 230 voltages.

Helix wound nichrome heating elements exposed directly in air stream resulting in instant heat transfer, low element temperatures and long service life.

Cutoff limit control provides positive protection in case of excessive temperatures.

CONTROLS**Electronic Blower Control**

Dedicated blower speed taps for continuous fan, cooling, and heating operation are programmed for optimal airflow and controlled by 24V thermostat signals. Fixed blower delays have been selected to enhance comfort.

24 Volt Transformer

40VA transformer furnished and factory installed in control area. Factory wired for 230V applications, optional terminal for 208V applications.

CABINET

Conditioned areas insulated with 0.5 in. insulation to minimize heat loss and reduce operating sound levels. Polystyrene insulation in outdoor section of cabinet is weather resistant and provides reduced sound levels. Embossed steel cabinet for maximum durability.

Easy forward-facing service access.

Pre-bent duct flange connections.

Tool-less filter access.

Airflow Choice

Units are factory shipped ready for top supply and return duct connections.

Heat pump and cooling only models have the option of a free return configuration which may utilize the top return duct connection point, or the optional front return.

Electrical Inlets and Service Valves

Field wiring inlets are located on the top of the cabinet. See Dimension drawing.

Gauge ports located inside compressor service compartment of the cabinet.

OTHER ACCESSORIES**Wall Sleeves**

Required for all installations. Wall sleeves penetrate the building envelope and create a path for condenser air intake and exhaust, as well as flue gas exhaust on gas heating models. The wall sleeves complete the building envelope by creating a seal to the equipment and provides a secure attachment foundation for external louvers. Wall sleeves are available in a minimum depth of 6 in. and a maximum depth of 12 in.

Wall sleeve bases are polypropylene and specifically designed to act as a drain pan to direct rain water out of the building as well as handle any overflow from condensation generated by the condensing section of the system (in the event of a clogged primary drain). Larger height wall sleeves may be used on smaller tonnage equipment to maintain a consistent louver size on the building's façade. Refer to the application guide and wall sleeve installation instructions.

Architectural Aluminum Louver

Louvers are required for all installations. Aluminum louvers offer a more robust grill on the building's façade and a wider range of standard colors. Louvers are painted with 70% flouropolymer and meets AAMA 2605 specifications, and carry a 20 year paint warranty. Custom color matching is also available. 6063-T6 grade aluminum is used.

See application guide for details.

* Certain exclusions apply. Refer to louver manufacture's warranty documentation.

Architectural Polypropylene Louver (³/₄ thru 2¹/₂ ton)

Louvers are required for all installations. Polypropylene louvers are constructed from durable, corrosion resistant plastic and are available in four colors to compliment any architectural design.

Impact Resistant Aluminum Louver

Impact resistant aluminum louvers offer the most protection for a structure and used for areas that will experience extreme winds. Certified to Miami-Dade County building standards, the louvers are ideal for hurricane prone areas. Impact louvers are available in a wide range of standard colors. Louvers are painted with 70% flouropolymer and meets AAMA 2605 specifications, and carry a 20 year paint warranty. Custom color matching is also available. 6063-T6 grade aluminum is used. Miami-Dade NOA# 18-0522.03. See application guide for details.

** Certain exclusions apply. Refer to louver manufacture's warranty documentation.*

ELECTRICAL AND PHYSICAL DATA (208/230V - 1 PHASE - 60 HZ)¹

Model	Minimum Circuit Ampacity		MOCP ²		Compressor		Outside Fan				Indoor Blower			R410A Refrigerant Charge (oz)	Approx. Shipping Weight (lbs)
	208V	230V	208V	230V	Rated Load Amps	Locked Rotor Amps	Dia. (in)	Nominal RPM	Rated Load Amps	Rated HP	Wheel D x W (in.)	Rated Load Amps	Rated HP		
0MCE4-11-091*P	6.3	6.3	15	15	3.5	21	16	1125	0.9	1/8	9 x 6	2.8	1/3	40	185
3MCE4-11-091*P	17.0	19.5	20	20											
5MCE4-11-091*P	22.9	26.3	25	30											
0MCE4-11-121*P	7.6	7.6	15	15	5.0	27	16	1125	0.9	1/8	9 x 6	2.8	1/3	47	193
3MCE4-11-121*P	17.0	19.5	20	20											
5MCE4-11-121*P	22.9	26.3	25	30											
0MCE4-11-181*P	10.3	10.3	15	15	6.5	37.5	16	1125	0.9	1/8	9 x 6	2.8	1/3	60	207
3MCE4-11-181*P	17.0	19.5	20	20											
5MCE4-11-181*P	22.9	26.3	25	30											
7MCE4-11-181*P	34.3	39.3	35	40											
10MCE4-11-181*P	45.5	52.1	50	60											
0MCE4-11-241*P	13.1	13.1	20	20	8.4	38	18	1050	0.9	1/8	9 x 6	2.8	1/3	76	230
5MCE4-11-241*P	22.8	26.1	25	30											
7MCE4-11-241*P	34.8	39.8	35	40											
10MCE4-11-241*P	46.2	52.9	50	60											
0MCE4-11-301*P	19.8	19.8	30	30	15.0	72.5	18	1100	1.6	1/4	10 x 8	4.1	1/2	79	256
5MCE4-11-301*P	22.9	26.3	30	30											
7MCE4-11-301*P	34.0	39.0	35	40											
10MCE4-11-301*P	45.2	51.9	50	60											
0MCE4-11-361*P	21.8	21.8	35	35	14.7	75	18	1100	1.6	1/4	10 x 8	4.1	1/2	94	286
5MCE4-11-361*P	22.9	26.3	35	35											
7MCE4-11-361*P	34.1	39.1	35	40											
10MCE4-11-361*P	45.6	52.3	50	60											

1. Acceptable voltage range: 197 - 235V

2. MOCP = Maximum Over Current Protection

PERFORMANCE

Model	Electric Heat @ 240V		Cooling				
	kW	Btu/hr	Net Capacity (Btu/hr)	Efficiency (EER)	S/T	Airflow (SCFM)	Outdoor Sound Rating (dBa) ¹
0MCE4-11-091*P	N/A	N/A	8,600	11.3	0.74	350	73
3MCE4-11-091*P	3.6	12,275					
5MCE4-11-091*P	4.8	16,375					
0MCE4-11-121*P	N/A	N/A	12,000	11.0	0.71	400	73
3MCE4-11-121*P	3.6	12,275					
5MCE4-11-121*P	4.8	16,375					
0MCE4-11-181*P	N/A	N/A	17,100	11.0	0.76	650	73
3MCE4-11-181*P	3.6	12,275					
5MCE4-11-181*P	4.8	16,375					
7MCE4-11-181*P	7.2	24,550					
10MCE4-11-181*P	9.6	32,750					
0MCE4-11-241*P	N/A	N/A	22,800	11.1	0.75	800	75
5MCE4-11-241*P	4.8	16,375					
7MCE4-11-241*P	7.2	24,550					
10MCE4-11-241*P	9.6	32,750					
0MCE4-11-301*P	N/A	N/A	28,400	11.0	0.75	1,000	79
5MCE4-11-301*P	4.8	16,375					
7MCE4-11-301*P	7.2	24,550					
10MCE4-11-301*P	9.6	32,750					
0MCE4-11-361*P	N/A	N/A	34,600	11.3	0.73	1,200	79
5MCE4-11-361*P	4.8	16,375					
7MCE4-11-361*P	7.2	24,550					
10MCE4-11-361*P	9.6	32,750					

¹ Per ANSI / AHRI Standard 270

ELECTRIC HEAT DATA

Model	Input Voltage								
	240			230			208		
	kW	Btu/hr	Amps	kW	Btu/hr	Amps	kW	Btu/hr	Amps
3kW	3.60	12,284	15.00	3.31	11,281	14.38	2.70	9,226	13.00
5kW	4.80	16,378	20.00	4.41	15,042	19.17	3.61	12,302	17.33
7kW	7.20	24,567	30.00	6.61	22,563	28.75	5.41	18,453	26.00
10kW	9.60	32,757	40.00	8.82	30,084	38.33	7.21	24,604	34.67

BLOWER PERFORMANCE (208 OR 230V)

AIRFLOW PERFORMANCE AS A FUNCTION OF EXTERNAL STATIC PRESSURE																	
Model	Indoor Blower Speed	0.1" w.c.			0.2" w.c.			0.3" w.c.			0.4" w.c.			0.5" w.c.			
		SCFM	Watts	HP	SCFM	Watts	HP	SCFM	Watts	HP	SCFM	Watts	HP	SCFM	Watts	HP	
*MCE4-11-091*P	TAP 1 (FAN)	355	28	0.04	320	31	0.04	275	35	0.05	230	38	0.05	160	42	0.06	
	TAP 2 (COOL)*	375	31	0.04	330	33	0.04	285	37	0.05	N/A	N/A	N/A	N/A	N/A	N/A	
	TAP 3 (COOL)	N/A	N/A	N/A	N/A	N/A	N/A	390	55	0.07	370	58	0.08	330	62	0.08	
	0 kW	TAP 4 (HEAT)*	375	31	0.04	330	33	0.04	285	37	0.05	240	40	0.05	180	44	0.06
		TAP 5 (HEAT)	465	47	0.06	425	51	0.07	390	55	0.07	370	58	0.08	330	62	0.08
	3 kW	TAP 4 (HEAT)*	430	41	0.05	410	45	0.06	385	49	0.07	N/A	N/A	N/A	N/A	N/A	N/A
		TAP 5 (HEAT)	520	58	0.08	500	63	0.08	475	68	0.09	440	73	0.10	400	77	0.10
	5 kW	TAP 4 (HEAT)*	525	59	0.08	505	65	0.09	480	69	0.09	N/A	N/A	N/A	N/A	N/A	N/A
TAP 5 (HEAT)		615	81	0.11	590	88	0.12	560	94	0.13	530	99	0.13	500	103	0.14	
*MCE4-11-121*P	TAP 1 (FAN)	355	28	0.04	320	31	0.04	275	35	0.05	230	38	0.05	160	42	0.06	
	TAP 2 (COOL)*	420	40	0.05	380	42	0.06	355	46	0.06	N/A	N/A	N/A	N/A	N/A	N/A	
	TAP 3 (COOL)	N/A	N/A	N/A	480	62	0.08	445	66	0.09	415	70	0.09	380	74	0.10	
	0 kW	TAP 4 (HEAT)*	420	40	0.05	380	42	0.06	355	46	0.06	315	50	0.07	275	54	0.07
		TAP 5 (HEAT)	515	58	0.08	480	62	0.08	445	66	0.09	415	70	0.09	380	74	0.10
	3 kW	TAP 4 (HEAT)*	430	41	0.05	410	45	0.06	385	49	0.07	N/A	N/A	N/A	N/A	N/A	N/A
		TAP 5 (HEAT)	520	58	0.08	500	63	0.08	475	68	0.09	440	73	0.10	400	77	0.10
	5 kW	TAP 4 (HEAT)*	525	59	0.08	505	65	0.09	480	69	0.09	N/A	N/A	N/A	N/A	N/A	N/A
TAP 5 (HEAT)		615	81	0.11	590	88	0.12	560	94	0.13	530	99	0.13	500	103	0.14	

N/A: Do not operate unit using this blower speed at this external static pressure.

† As shipped speed for Cooling operation. Blower speed must be field adjusted to Speed Tap 3 for higher duct static applications.

* As shipped speed for Heating operation. Blower speed must be field adjusted to Speed Tap 5 for higher duct static applications.

BLOWER PERFORMANCE (208 OR 230V)

AIRFLOW PERFORMANCE AS A FUNCTION OF EXTERNAL STATIC PRESSURE																		
Model	Indoor Blower Speed	0.1" w.c.			0.2" w.c.			0.3" w.c.			0.4" w.c.			0.5" w.c.				
		SCFM	Watts	HP	SCFM	Watts	HP	SCFM	Watts	HP	SCFM	Watts	HP	SCFM	Watts	HP		
*MCE4-11-181*P	TAP 1 (FAN)	355	28	0.04	320	31	0.04	275	35	0.05	230	38	0.05	160	42	0.06		
	TAP 2 (COOL)*	660	103	0.14	640	109	0.15	610	114	0.15	580	119	0.16	550	124	0.17		
	TAP 3 (COOL)	725	131	0.18	710	135	0.18	685	140	0.19	660	146	0.20	640	152	0.20		
	0 kW	TAP 4 (HEAT)*	660	103	0.14	640	109	0.15	610	114	0.15	580	119	0.16	550	124	0.17	
		TAP 5 (HEAT)	725	131	0.18	710	135	0.18	685	140	0.19	660	146	0.20	640	152	0.20	
	3 kW	TAP 4 (HEAT)*	430	41	0.05	410	45	0.06	385	49	0.07	N/A	N/A	N/A	N/A	N/A	N/A	
		TAP 5 (HEAT)	520	59	0.08	500	63	0.08	475	67	0.09	440	72	0.10	400	77	0.10	
	5 kW	TAP 4 (HEAT)*	525	60	0.08	505	65	0.09	480	70	0.09	N/A	N/A	N/A	N/A	N/A	N/A	
		TAP 5 (HEAT)	615	81	0.11	590	88	0.12	560	95	0.13	530	100	0.13	500	103	0.14	
	7 kW	TAP 4 (HEAT)*	685	108	0.14	670	116	0.16	645	122	0.16	N/A	N/A	N/A	N/A	N/A	N/A	
		TAP 5 (HEAT)	790	153	0.21	770	160	0.21	750	166	0.22	720	172	0.23	700	177	0.24	
	10 kW	TAP 4 (HEAT)*	790	153	0.21	770	160	0.21	750	166	0.22	N/A	N/A	N/A	N/A	N/A	N/A	
		TAP 5 (HEAT)	890	211	0.28	870	217	0.29	850	222	0.30	820	226	0.30	800	230	0.31	
	*MCE4-11-241*P	TAP 1 (FAN)	455	41	0.05	420	45	0.06	385	49	0.07	365	52	0.07	320	57	0.08	
		TAP 2 (COOL)*	810	146	0.20	790	158	0.21	780	166	0.22	755	173	0.23	735	179	0.24	
		TAP 3 (COOL)	870	179	0.24	860	184	0.25	845	194	0.26	815	202	0.27	785	206	0.28	
		0 kW	TAP 4 (HEAT)*	810	146	0.20	790	158	0.21	780	166	0.22	755	173	0.23	735	179	0.24
			TAP 5 (HEAT)	870	179	0.24	860	184	0.25	845	194	0.26	815	202	0.27	785	206	0.28
5 kW		TAP 4 (HEAT)*	555	65	0.09	540	69	0.09	510	73	0.10	480	76	0.10	N/A	N/A	N/A	
		TAP 5 (HEAT)	645	88	0.12	630	94	0.13	605	100	0.13	580	105	0.14	550	110	0.15	
7 kW		TAP 4 (HEAT)*	775	140	0.19	765	145	0.19	745	150	0.20	725	154	0.21	N/A	N/A	N/A	
		TAP 5 (HEAT)	875	184	0.25	865	193	0.26	845	201	0.27	825	208	0.28	800	215	0.29	
10 kW		TAP 4 (HEAT)*	875	184	0.25	865	193	0.26	845	201	0.27	825	208	0.28	N/A	N/A	N/A	
		TAP 5 (HEAT)	995	253	0.34	980	260	0.35	980	267	0.36	960	272	0.36	900	276	0.37	

N/A: Do not operate unit using this blower speed at this external static pressure.

* As shipped speed for Cooling operation. Blower speed must be field adjusted to Speed Tap 3 for higher duct static applications.

* As shipped speed for Heating operation. Blower speed must be field adjusted to Speed Tap 5 for higher duct static applications.

BLOWER PERFORMANCE (208 OR 230V)

AIRFLOW PERFORMANCE AS A FUNCTION OF EXTERNAL STATIC PRESSURE																	
Model	Indoor Blower Speed	0.1" w.c.			0.2" w.c.			0.3" w.c.			0.4" w.c.			0.5" w.c.			
		SCFM	Watts	HP	SCFM	Watts	HP	SCFM	Watts	HP	SCFM	Watts	HP	SCFM	Watts	HP	
*MCE4-11-301*P	TAP 1 (FAN)	590	42	0.06	530	48	0.06	430	55	0.07	380	60	0.08	315	65	0.09	
	TAP 2 (COOL)†	1015	152	0.20	985	161	0.22	940	170	0.23	910	177	0.24	875	184	0.25	
	TAP 3 (COOL)	1115	192	0.26	1080	201	0.27	1045	210	0.28	1015	219	0.29	980	227	0.30	
	0 kW	TAP 4 (HEAT)*	1015	152	0.20	985	161	0.22	940	170	0.23	910	177	0.24	875	184	0.25
		TAP 5 (HEAT)	1115	192	0.26	1080	201	0.27	1045	210	0.28	1015	219	0.29	980	227	0.30
	5 kW	TAP 4 (HEAT)*	740	65	0.09	705	74	0.10	640	83	0.11	N/A	N/A	N/A	N/A	N/A	N/A
		TAP 5 (HEAT)	820	81	0.11	790	91	0.12	740	100	0.13	675	109	0.15	600	117	0.16
	7 kW	TAP 4 (HEAT)*	860	91	0.12	835	100	0.13	795	108	0.14	N/A	N/A	N/A	N/A	N/A	N/A
		TAP 5 (HEAT)	945	112	0.15	925	122	0.16	885	132	0.18	845	140	0.19	800	148	0.20
	10 kW	TAP 4 (HEAT)*	945	112	0.15	925	122	0.16	885	132	0.18	N/A	N/A	N/A	N/A	N/A	N/A
		TAP 5 (HEAT)	1050	141	0.19	1020	151	0.20	980	161	0.22	940	170	0.23	900	179	0.24
	*MCE4-11-361*P	TAP 1 (FAN)	680	61	0.08	630	68	0.09	575	74	0.10	525	79	0.11	460	86	0.12
TAP 2 (COOL)†		1235	260	0.35	1200	272	0.36	1166	284	0.38	1135	295	0.40	1100	305	0.41	
TAP 3 (COOL)		1315	304	0.41	1280	316	0.42	1250	330	0.44	1215	342	0.46	1180	354	0.47	
0 kW		TAP 4 (HEAT)*	1235	260	0.35	1200	272	0.36	1166	284	0.38	1135	295	0.40	1100	305	0.41
		TAP 5 (HEAT)	1315	304	0.41	1280	316	0.42	1250	330	0.44	1215	342	0.46	1180	354	0.47
5 kW		TAP 4 (HEAT)*	740	75	0.10	695	82	0.11	640	90	0.12	N/A	N/A	N/A	N/A	N/A	N/A
		TAP 5 (HEAT)	815	92	0.12	785	100	0.13	745	108	0.14	700	115	0.15	650	122	0.16
7 kW		TAP 4 (HEAT)*	815	92	0.12	785	100	0.13	745	108	0.14	N/A	N/A	N/A	N/A	N/A	N/A
		TAP 5 (HEAT)	910	117	0.16	880	126	0.17	840	135	0.18	800	143	0.19	750	150	0.20
10 kW		TAP 4 (HEAT)*	1010	143	0.19	980	155	0.21	945	166	0.22	N/A	N/A	N/A	N/A	N/A	N/A
		TAP 5 (HEAT)	1085	175	0.23	1065	187	0.25	1030	198	0.27	995	209	0.28	950	219	0.29

N/A: Do not operate unit using this blower speed at this external static pressure.

† As shipped speed for Cooling operation. Blower speed must be field adjusted to Speed Tap 3 for higher duct static applications.

* As shipped speed for Heating operation. Blower speed must be field adjusted to Speed Tap 5 for higher duct static applications.

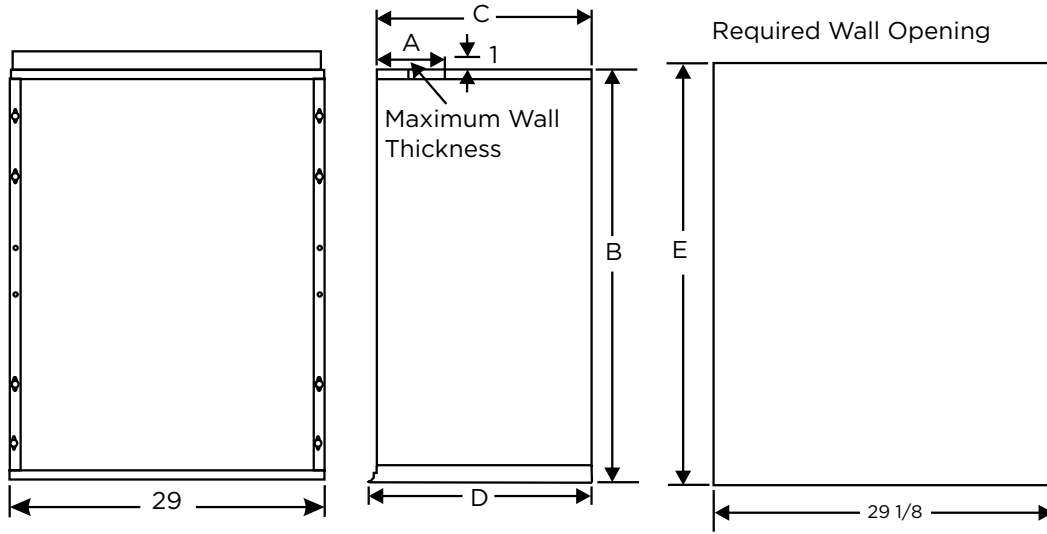
COOLING PERFORMANCE EXTENDED RATINGS

Model	Indoor Temp DB/WB (°F)	Outdoor Temperature - DB (°F)														
		65			85			95			105			115		
		Net Capacity (Btu/hr)	S/T	System Power Input (kW)	Net Capacity (Btu/hr)	S/T	System Power Input (kW)	Net Capacity (Btu/hr)	S/T	System Power Input (kW)	Net Capacity (Btu/hr)	S/T	System Power Input (kW)	Net Capacity (Btu/hr)	S/T	System Power Input (kW)
*MCE4-11-091*P	85/72	9,300	0.59	0.60	9,200	0.63	0.70	9,100	0.65	0.76	8,600	0.69	0.83	8,200	0.72	0.90
	80/67	8,700	0.65	0.59	8,600	0.71	0.70	8,600	0.74	0.75	8,000	0.79	0.83	7,500	0.84	0.90
	75/63	8,500	0.69	0.59	8,200	0.76	0.70	8,100	0.79	0.75	7,500	0.84	0.82	6,900	0.88	0.89
	75/57	7,600	0.73	0.59	6,900	0.91	0.79	6,500	1.00	0.89	6,700	1.00	0.88	6,800	1.00	0.88
*MCE4-11-121*P	85/72	14,100	0.59	0.86	13,300	0.62	1.02	13,000	0.64	1.10	12,100	0.67	1.20	11,300	0.70	1.30
	80/67	13,400	0.66	0.84	12,500	0.69	1.01	12,000	0.71	1.09	11,000	0.75	1.19	10,100	0.78	1.29
	75/63	12,800	0.69	0.84	11,700	0.73	1.00	11,200	0.75	1.08	10,200	0.78	1.17	9,200	0.81	1.26
	75/57	10,900	1.00	0.84	10,300	1.00	0.99	10,000	1.00	1.06	9,300	1.00	1.16	8,600	1.00	1.26
*MCE4-11-181*P	85/72	18,400	0.60	1.17	18,100	0.64	1.43	18,000	0.66	1.56	17,200	0.70	1.72	16,300	0.74	1.88
	80/67	17,200	0.66	1.18	17,100	0.73	1.42	17,100	0.76	1.55	16,000	0.81	1.70	15,000	0.85	1.86
	75/63	16,700	0.70	1.18	16,200	0.77	1.41	16,000	0.80	1.53	14,900	0.84	1.68	13,700	0.88	1.83
	75/57	15,800	1.00	1.17	15,500	1.00	1.40	15,300	1.00	1.51	14,300	1.00	1.66	13,300	1.00	1.80
*MCE4-11-241*P	85/72	25,900	0.61	1.55	24,900	0.65	1.89	24,300	0.67	2.06	22,900	0.70	2.27	21,400	0.73	2.47
	80/67	25,300	0.68	1.56	23,600	0.73	1.89	22,800	0.75	2.05	21,300	0.79	2.25	19,700	0.82	2.44
	75/63	23,700	0.72	1.54	22,200	0.77	1.86	21,400	0.79	2.02	19,700	0.83	2.21	18,000	0.86	2.40
	75/57	22,400	1.00	1.54	20,800	1.00	1.86	20,100	1.00	2.01	18,700	1.00	2.19	17,300	1.00	2.38
*MCE4-11-301*P	85/72	30,700	0.59	1.95	30,400	0.64	2.38	30,200	0.66	2.59	28,700	0.70	2.87	27,200	0.73	3.15
	80/67	29,700	0.66	1.94	28,800	0.72	2.37	28,400	0.75	2.58	26,500	0.79	2.85	24,700	0.82	3.13
	75/63	28,600	0.69	1.93	27,400	0.76	2.35	26,800	0.79	2.55	24,600	0.83	2.82	22,500	0.86	3.09
	75/57	27,100	1.00	1.93	26,200	1.00	2.33	25,800	1.00	2.54	23,800	1.00	2.81	21,800	1.00	3.08
*MCE4-11-361*P	85/72	38,500	0.61	2.34	37,200	0.63	2.84	36,500	0.64	3.10	34,700	0.67	3.41	32,900	0.69	3.73
	80/67	36,800	0.66	2.33	35,300	0.71	2.83	34,600	0.73	3.08	32,600	0.76	3.40	30,600	0.79	3.73
	75/63	35,500	0.70	2.33	33,600	0.74	2.81	32,600	0.76	3.06	30,400	0.80	3.37	28,200	0.83	3.69
	75/57	31,600	1.00	2.31	31,000	1.00	2.79	30,700	1.00	3.02	28,700	1.00	3.34	26,700	1.00	3.66

OUTDOOR VENTILATION AIR - AUXILIARY PANEL

		Nominal Indoor Airflow	Number of Openings								
			#1 Only	#1 and #2	#1 thru #3	#1 thru #4	#1 thru #5	#1 thru #6	#1 thru #7	#1 thru #8	#1 thru #9
Outdoor Ventilation Air (CFM)	*MCE4-11-09*	350	6	10	17	23	29	35	40	45	50
	MCE4-11-12	400	7	12	19	25	31	37	43	50	54
	MCE4-11-18	650	14	21	25	31	40	48	56	68	80
	MCE4-11-24	800	17	23	28	37	45	55	66	76	92
	MCE4-11-30	1000	19	26	30	39	50	60	72	86	98
	MCE4-11-36	1200	23	30	34	45	56	68	81	96	110

ACCESSORIES DIMENSIONS (IN.)



ACCESSORIES

Accessory		Nomenclature	Magic-Pak Unit						Dimensions (in)				
			*MCE4-11-091*P	*MCE4-11-121*P	*MCE4-11-181*P	*MCE4-11-241*P	*MCE4-11-301*P	*MCE4-11-361*P	A	B	C	D	E
6" Wall Sleeve Kit	for 29" Louver	ASLEEVE6-1	•	•	•	•		6	29	16	16-5/8	29-1/8	
	for 33" Louver	ASLEEVE6-2	•	•	•	•	•	6	32-3/4	16	16-5/8	32-7/8	
	for 45" Louver	ASLEEVE6-5	•	•	•	•	•	6	45	16	16-5/8	45-1/8	
8" Wall Sleeve Kit	for 29" Louver	ASLEEVE8-1	•	•	•	•		8	29	16	16-5/8	29-1/8	
	for 33" Louver	ASLEEVE8-2	•	•	•	•	•	8	32-3/4	16	16-5/8	32-7/8	
	for 45" Louver	ASLEEVE8-5	•	•	•	•	•	8	45	16	16-5/8	45-1/8	
10" Wall Sleeve Kit	for 29" Louver	ASLEEVE10-1	•	•	•	•		10	29	16	16-5/8	29-1/8	
	for 33" Louver	ASLEEVE10-2	•	•	•	•	•	10	32-3/4	16	16-5/8	32-7/8	
	for 45" Louver	ASLEEVE10-5	•	•	•	•	•	10	45	16	16-5/8	45-1/8	
12" Wall Sleeve Kit	for 29" Louver	ASLEEVE12-1	•	•	•	•		12	29	16	16-5/8	29-1/8	
	for 33" Louver	ASLEEVE12-2	•	•	•	•	•	12	32-3/4	16	16-5/8	32-7/8	
	for 45" Louver	ASLEEVE12-5	•	•	•	•	•	12	45	16	16-5/8	45-1/8	
Thru-The-Wall-Sleeve-Kit		ASLEEVE-3	•	•	•			N/A	45	16	16-5/8	45-1/8	

ACCESSORIES

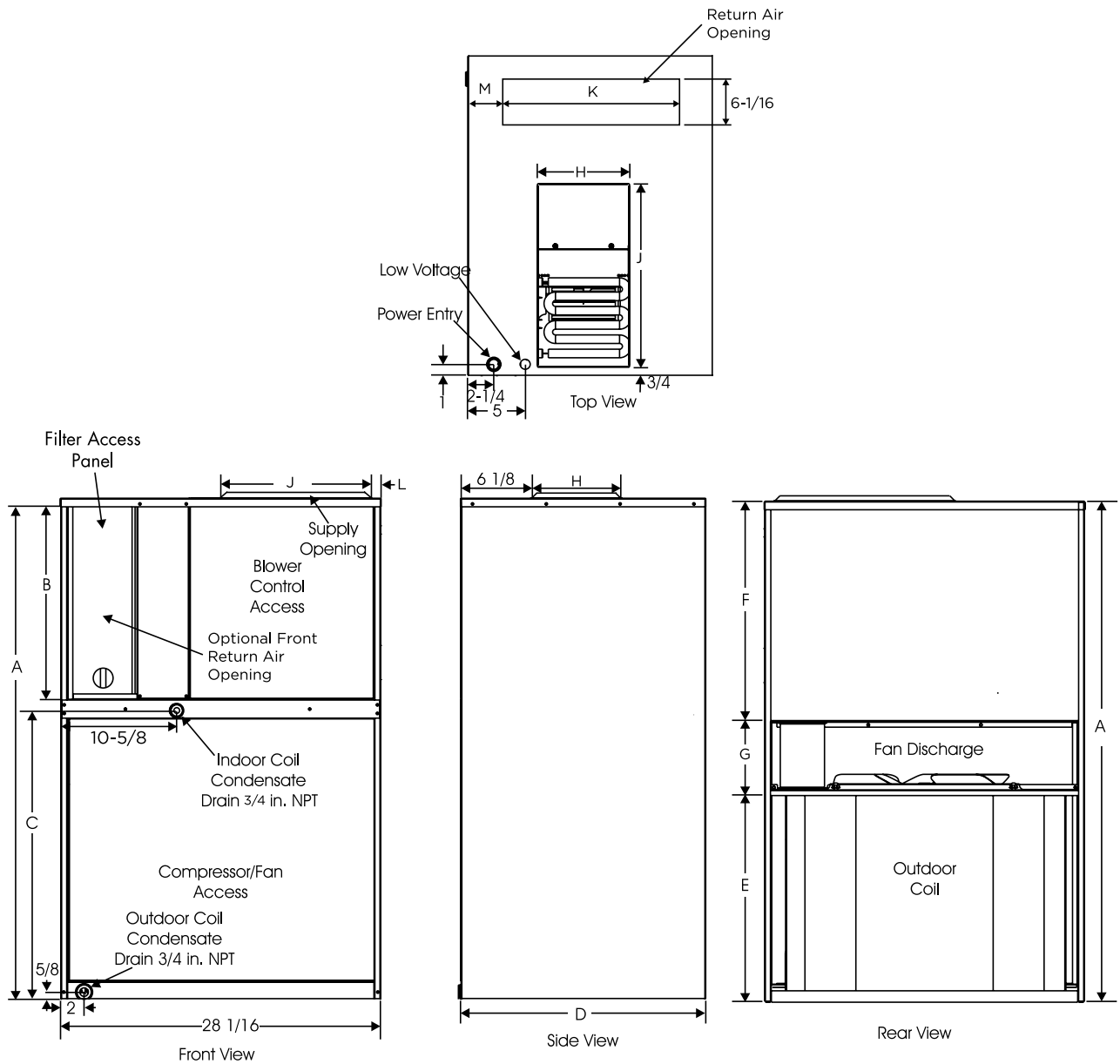
	Accessory	Nomenclature	Magic-Pak Unit					
			*MCE4-11-091*P	*MCE4-11-121*P	*MCE4-11-181*P	*MCE4-11-241*P	*MCE4-11-301*P	*MCE4-11-361*P
Polypropylene Louvers	Polypropylene Louver Kit - White (29" Height)	ALVRPWHT-1	•	•	•	•		
	Polypropylene Louver Kit - White (33" Height)	ALVRPWHT-2					•	
	Polypropylene Louver Kit - Sandstone (29" Height)	ALVRPSAN-1	•	•	•	•		
	Polypropylene Louver Kit - Sandstone (33" Height)	ALVRPSAN-2					•	
	Polypropylene Louver Kit - Beige (29" Height)	ALVRPBGE-1	•	•	•	•		
	Polypropylene Louver Kit - Beige (33" Height)	ALVRPBGE-2					•	
	Polypropylene Louver Kit - Taupestone (29" Height)	ALVRPTPST-1	•	•	•	•		
	Polypropylene Louver Kit - Taupestone (33" Height)	ALVRPTPST-2					•	
Aluminum Louvers	Extruded Aluminum Louver Kit (29" Height)	ALVRAL-1	•	•	•	•		
	Extruded Aluminum Louver Kit - Custom Color (29" Height)	ALVRAL-1P	•	•	•	•		
	Extruded Aluminum Louver Kit (33" Height)	ALVRAL-2					•	
	Extruded Aluminum Louver Kit - Custom Color (33" Height)	ALVRAL-2P					•	
	Extruded Aluminum Louver Kit (45" Height)	ALVRAL-3	•	•	•	•		
	Extruded Aluminum Louver Kit - Custom Color (45" Height)	ALVRAL-3P	•	•	•	•		
	Extruded Aluminum Louver Kit (45" Height)	ALVRAL-4					•	•
	Extruded Aluminum Louver Kit - Custom Color (45" Height)	ALVRAL-4P					•	•
Impact Rated Louvers	Extruded Aluminum Louver Kit - Impact Rated (29" Height)	ALVRALC-1	•	•	•	•		
	Extruded Aluminum Louver Kit - Impact Rated / Custom Color (29" Height)	ALVRALC-1P	•	•	•	•		
	Extruded Aluminum Louver Kit - Impact Rated (33" Height)	ALVRALC-2					•	
	Extruded Aluminum Louver Kit - Impact Rated / Custom Color (33" Height)	ALVRALC-2P					•	

UNIT FILTER SIZE

Model	Filter Dimensions
*MCE4-11-091, 121, 181*P	18 x 20 x 1
*MCE4-11-241*P	20 x 22 x 1
*MCE4-11-301*P	24 x 22 x 1
*MCE4-11-361*P	28 x 22 x 1

DIMENSIONS (IN.)

Model	A	B	C	D	E	F	G	H	J	K	L	M
*MCE4-11-091*P												
*MCE4-11-121*P	43-7/8	16-7/8	25-1/4	21-1/2	18-5/8	19-1/4	6	8	16	17-1/16	3/4	2-1/4
*MCE4-11-181*P												
*MCE4-11-241*P	47-7/8	18-7/8	27-1/4	24-3/8	20-5/8	21-1/4	6	8	16	19-1/16	3/4	2-5/8
*MCE4-11-301*P	55-7/8	22-7/8	31-1/4	24-3/8	24-5/8	25-1/4	6	11-3/8	10-7/16	22-7/16	3-3/4	1
*MCE4-11-361*P	67-7/8	26-7/8	35-1/4	24-3/8	28-5/8	29-1/4	10	11-3/8	10-7/16	22-7/16	3-3/4	1





215 Metropolitan Drive | West Columbia, SC 29170
800-448-5872
Product Support 866-282-7257

All specifications and illustrations subject to change without notice and without incurring obligations.